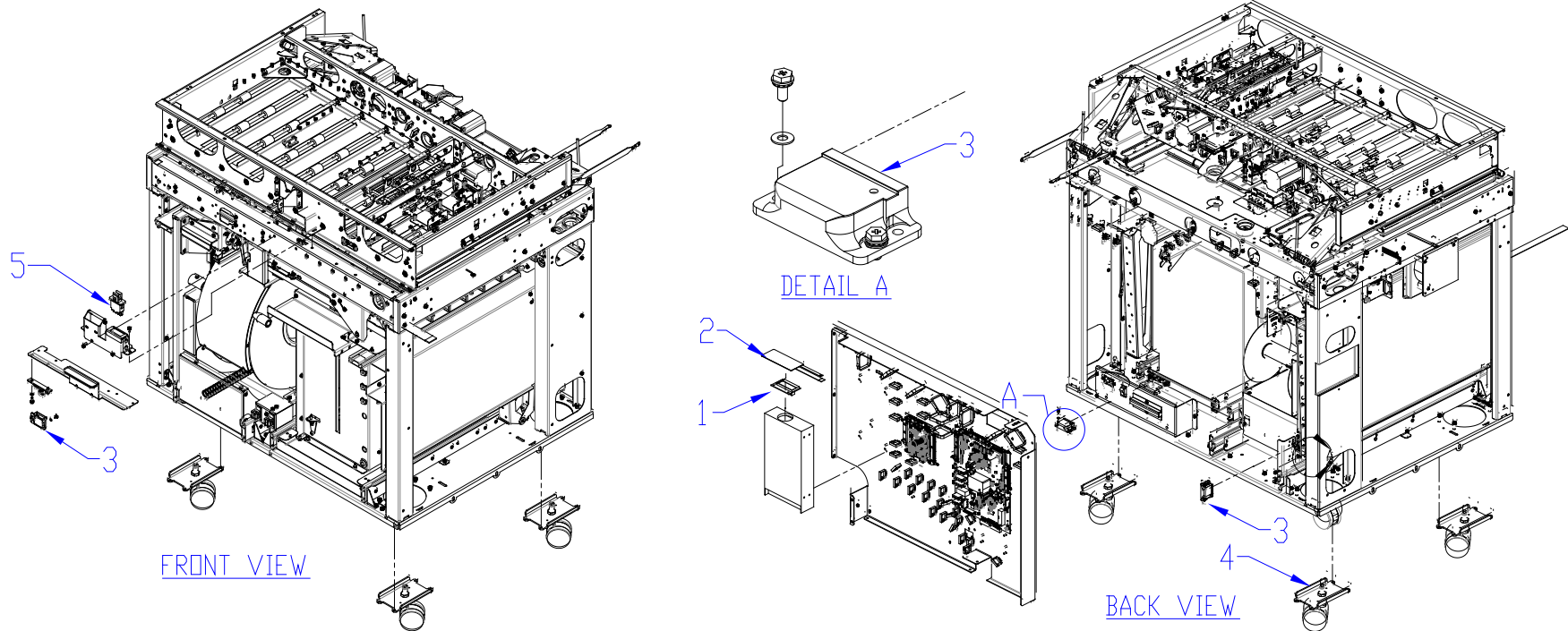

5. Parts List

Section Contents

Title	Page
PL 5.1	LCD, INTERLOCKS, CASTERS..... 2
PL 5.2	PAPER TRANSPORT - SENSORS..... 3
PL 5.3	PAPER TRANSPORT - MOTORS & SOL..... 4
PL 5.4	PAPER TRANSPORT - REAR SECTION 5
PL 5.5	PAPER TRANSPORT - ROLLERS 6
PL 5.6	PAPER TRANSPORT - OTHER PARTS..... 7
PL 5.7	ELEMENT FEEDER - SENSORS 8
PL 5.8	ELEMENT FEEDER - MOTORS & BELTS 9
PL 5.9	ELEMENT FEEDER - TOP SECTION..... 10
PL 5.10	ELEMENT FEEDER - BOTTOM SECTION..... 11
PL 5.11	ELEMENT FEEDER - KNIFE MODULE 12
PL 5.12	ELEMENT TRANSFER - SENSORS..... 13
PL 5.13	ELEMENT TRANSFER - COMPONENTS 14
PL 5.14	VACUUM STACKER - MOTORS & SOL..... 15
PL 5.15	VACUUM STACKER - MECHANICAL 16
PL 5.16	DEFLECTOR MODULE..... 17
PL 5.17	TAPPER MODULE - FRONT 18
PL 5.18	TAPPER MODULE - REAR..... 19
PL 5.19	CLOSER MODULE..... 20
PL 5.20	HOLDER - SENSORS 21
PL 5.21	HOLDER - MOTORS, BELTS & SPRINGS..... 22
PL 5.22	HOLDER - LOCK & ROTATE ASSEMBLIES 23
PL 5.23	BOOK DRAWER - SENSORS..... 24
PL 5.24	BOOK DRAWER - BELTS & PULLEYS 25
PL 5.25	FRAME - SWITCHES & LATCHES 26
PL 5.26	FRAME - VACUUM & LOCKOUT..... 27
PL 5.27	ELECTRICAL COMPONENTS 28
PL 5.28	OUTER COVERS 29
PL 5.29	MAIN ASSEMBLY (MODULES) 30
PL 5.30	TOOLS & KITS 31
PL 5.31	CABLES..... 32

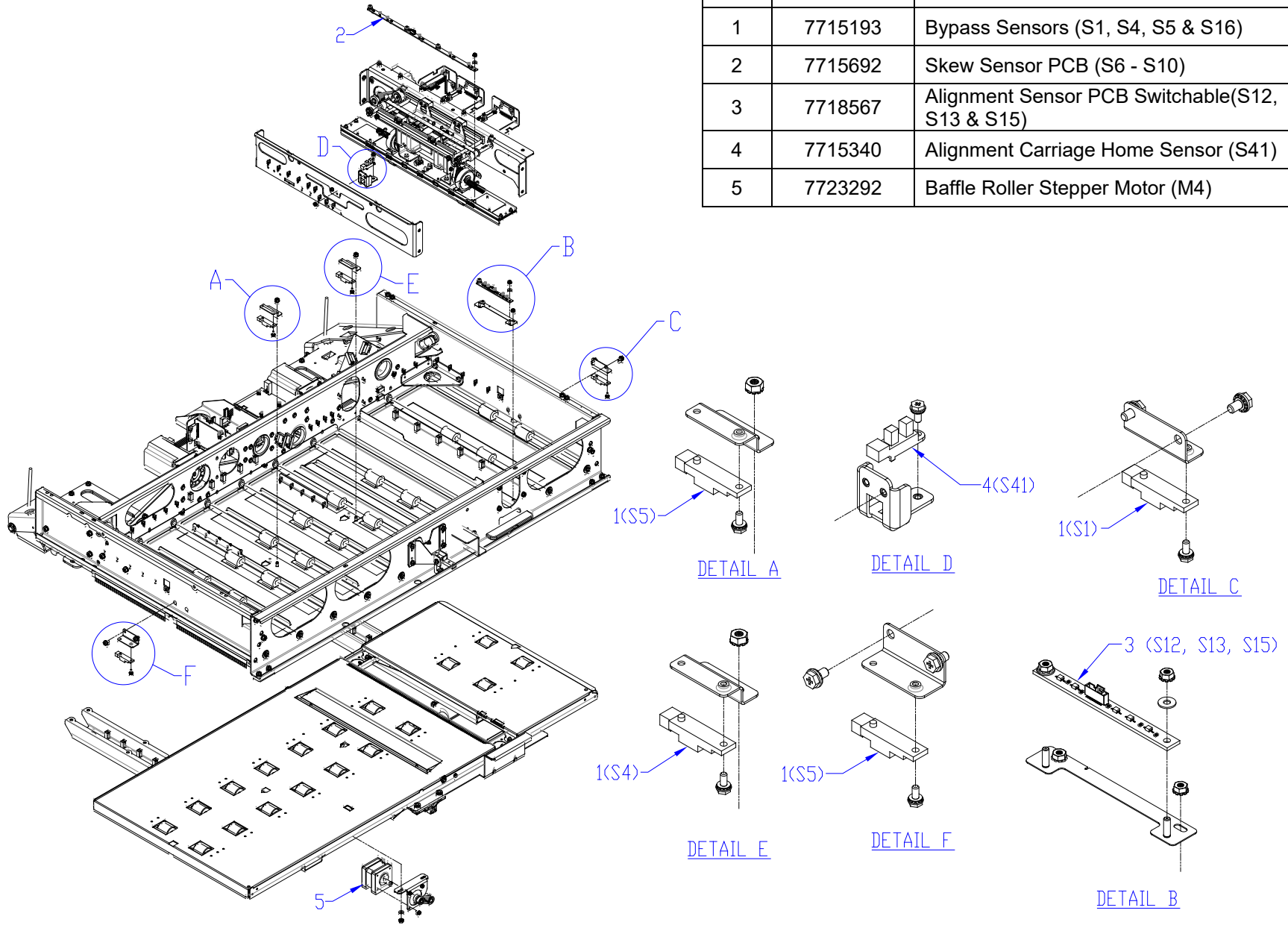
PL 5.1 LCD, INTERLOCKS, CASTERS

ITEM	GBC PART #	DESCRIPTION	QTY
1	7715527	LCD Display	1
2	7715641	LCD Membrane Switch	1
3	7706486	Door/Drawer Latches	3
4	7723948	Caster Sub-Assembly	4
5	7724859	Interlock Switch	1



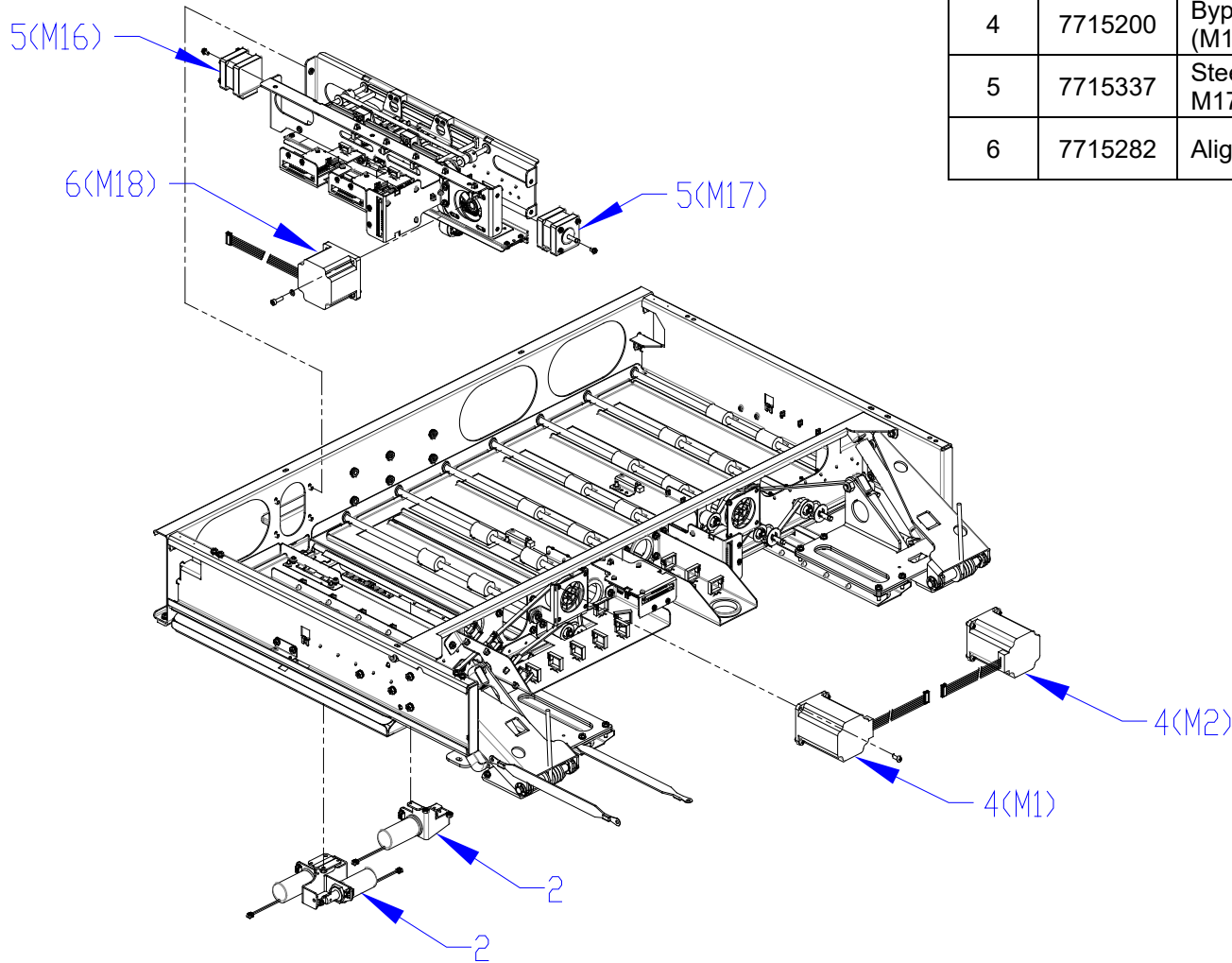
PL 5.2 PAPER TRANSPORT - SENSORS

ITEM	GBC PART #	DESCRIPTION	QTY
1	7715193	Bypass Sensors (S1, S4, S5 & S16)	4
2	7715692	Skew Sensor PCB (S6 - S10)	1
3	7718567	Alignment Sensor PCB Switchable(S12, S13 & S15)	1
4	7715340	Alignment Carriage Home Sensor (S41)	1
5	7723292	Baffle Roller Stepper Motor (M4)	1



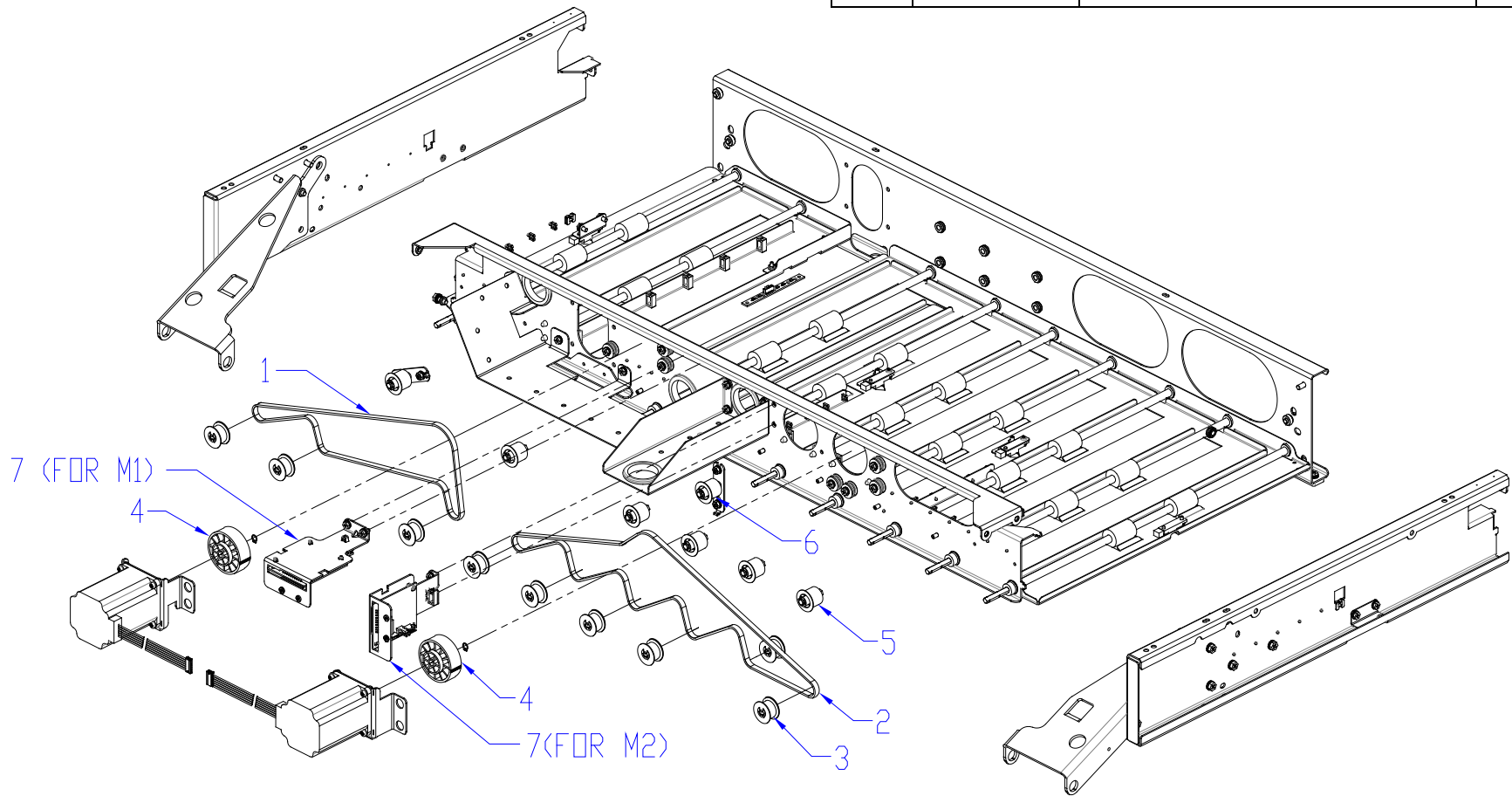
PL 5.3 PAPER TRANSPORT - MOTORS & SOL

ITEM	GBC PART #	DESCRIPTION	QTY
1	7717704	Diverter Solenoid Assembly (L1)	1
2	7717517	Disengaging Roller #1 & 2 (L2 & L3)	2
3	7717520	Disengaging Roller #3 (L4)	1
4	7715200	Bypass Entry and Exit Motors (M1 & M2)	2
5	7715337	Steering Motor #1 & #2 (M16 & M17)	2
6	7715282	Alignment Motor (M18)	1



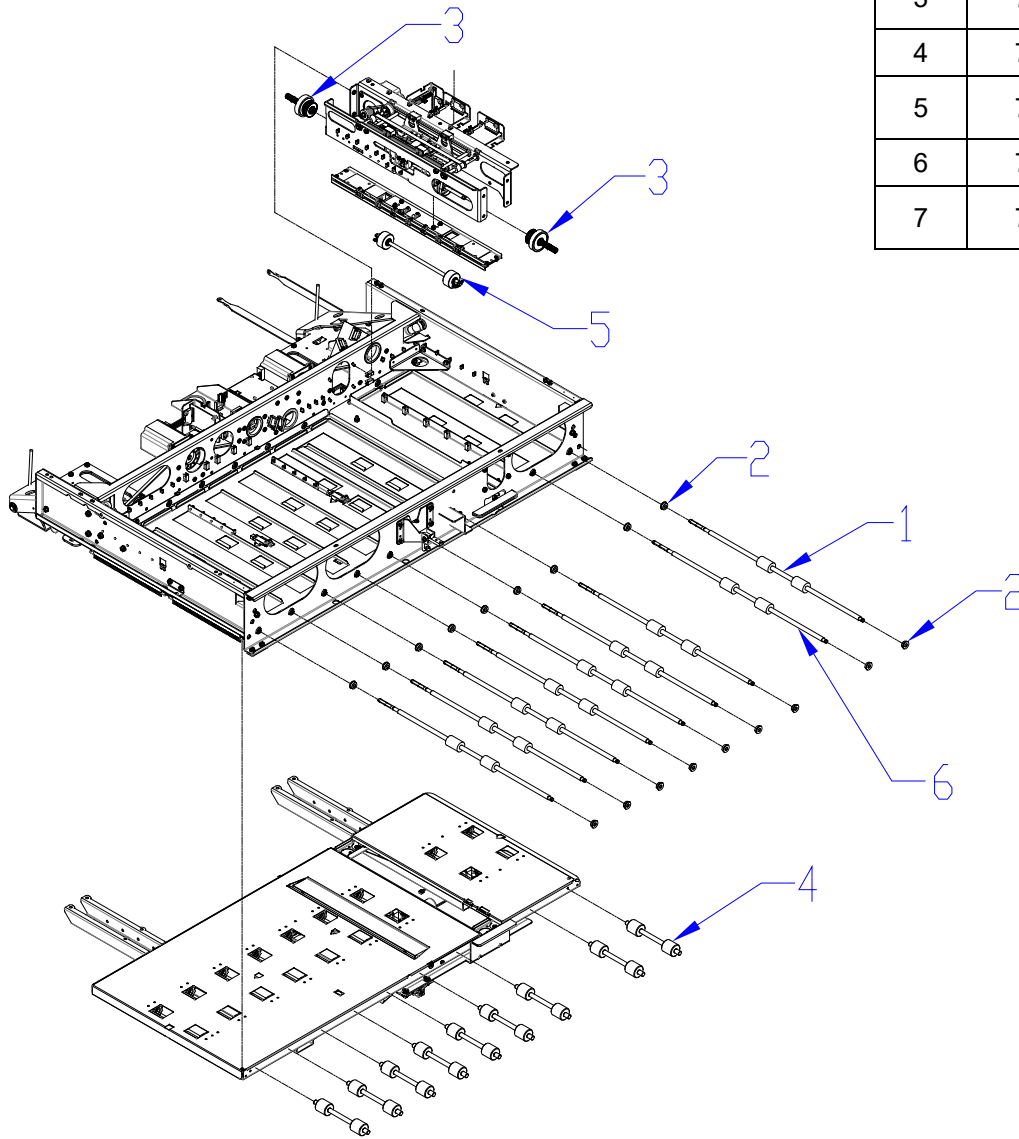
PL 5.4 PAPER TRANSPORT - REAR SECTION

ITEM	GBC PART #	DESCRIPTION	QTY
1	7717561	Bypass Timing Belt #1	1
2	7717562	Bypass Timing Belt #2	1
3	7715204	Drive Roller Timing Pulley	10
4	7715201	Stepper Motor Pulley	2
5	7715383	Drive Roller Idler Pulley	7
6	7715245	Timing Belt Tensioner	2
7	7715275	Stepper Motor Driver Board	2



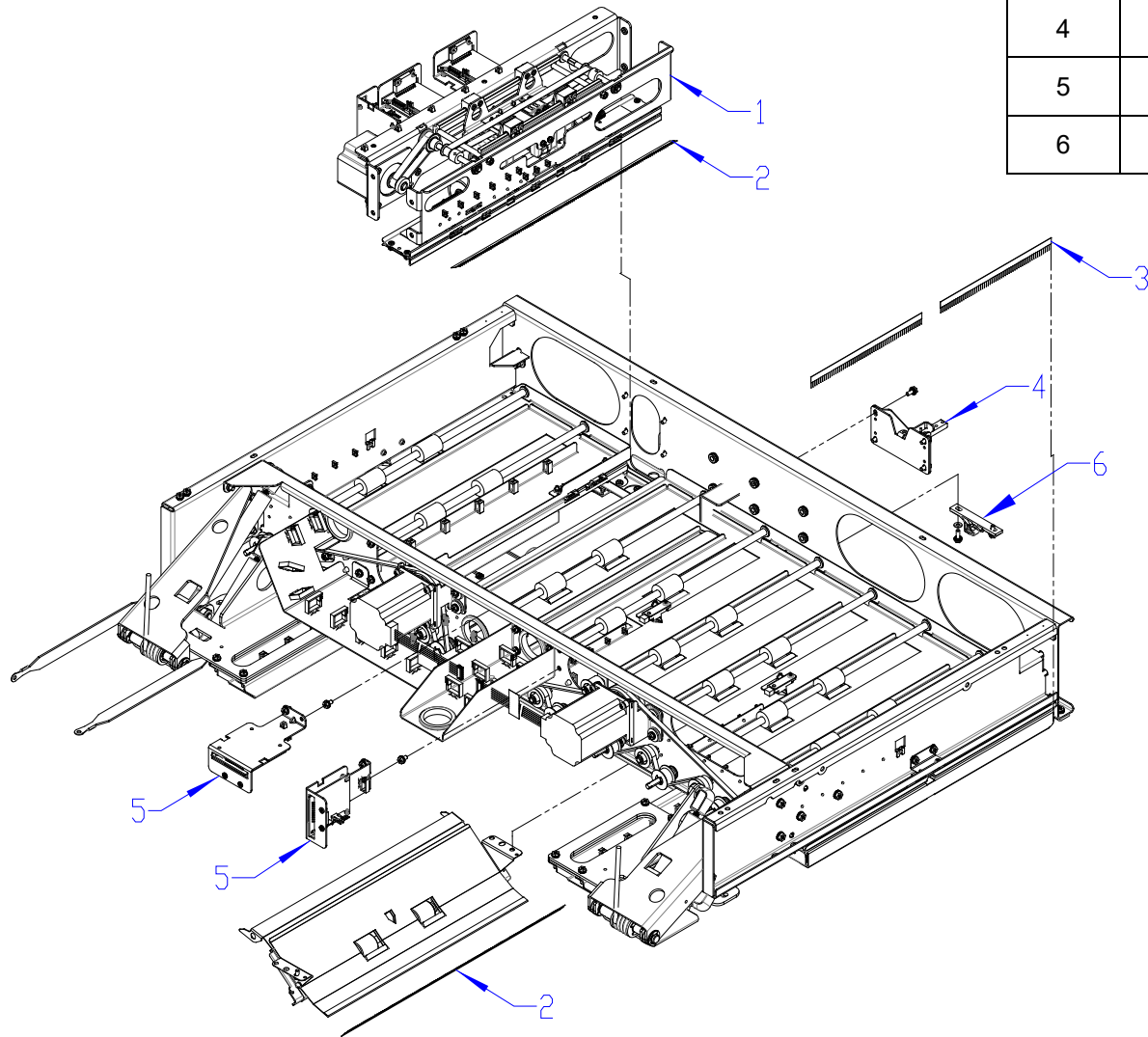
PL 5.5 PAPER TRANSPORT - ROLLERS

ITEM	GBC PART #	DESCRIPTION	QTY
1	7723295	Drive Roller Assembly	8
2	1821116	Roller Bearing	18
3	7723432	Steering Drive Roller Assembly	2
4	7718381	Idler Roller Assembly	8
5	7718103	Steering Idler Roller Assembly	1
6	7717802	Delrin Drive Roller Assembly	1
7	7718560	Independent Idler Roller Assembly	1



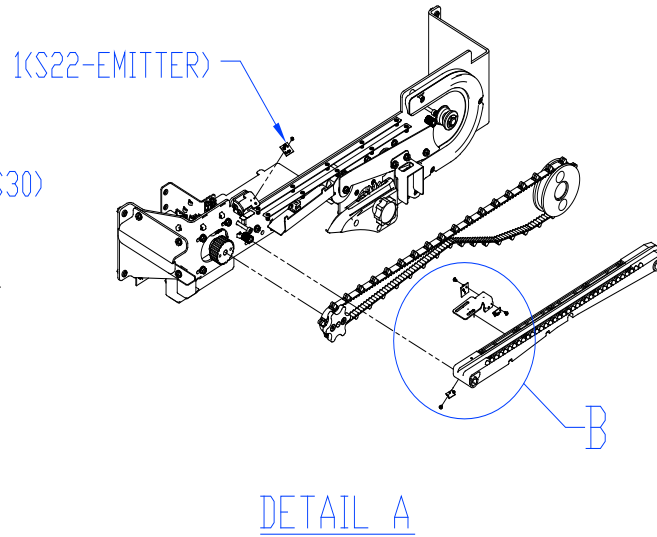
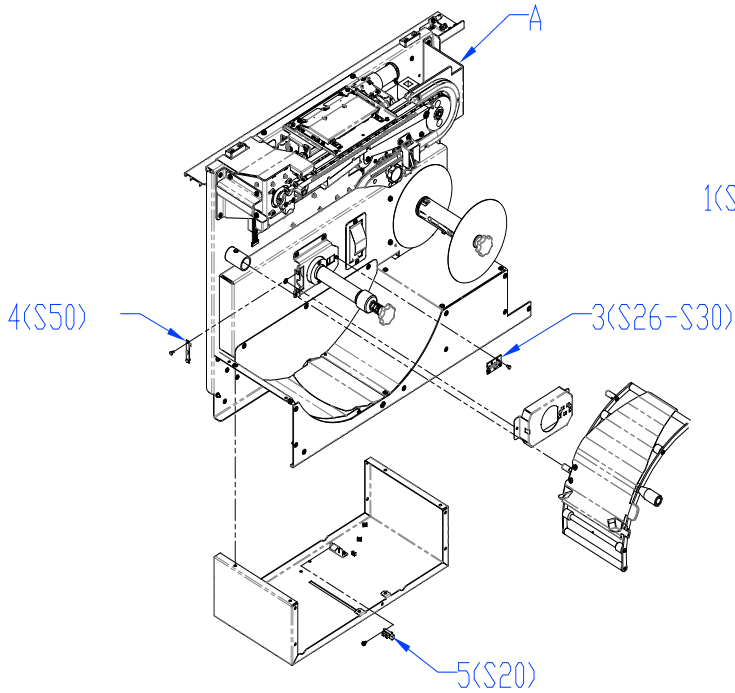
PL 5.6 PAPER TRANSPORT - OTHER PARTS

ITEM	GBC PART #	DESCRIPTION	QTY
1	7717393	Steering Module Assembly	1
2	7718593	Anti-Static Brush Long	2
3	7718594	Anti-Static Brush Short	2
4	7718232	Latch Assembly	1
5	7715275	Stepper Motor Driver Board	3
6	7706486	Push to Close Latch	1

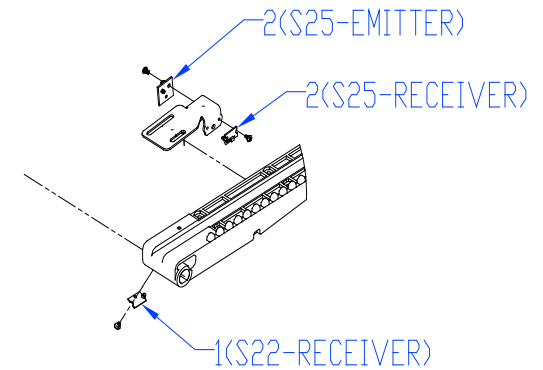


PL 5.7 ELEMENT FEEDER - SENSORS

ITEM	GBC PART #	DESCRIPTION	QTY
1*	7723253 & 7716947	Element Detect at Pyramid (S22)	1
2	7723253 & 7716947	Belt Home Sensor Assembly (S25)	1
3	7717206	Spool Detect Sensor PCB (S26-S30)	1
4	7717479	Spool Near Empty Sensor PCB (S50)	1
5	7715340	Element Slack Sensor (S20)	1



DETAIL A

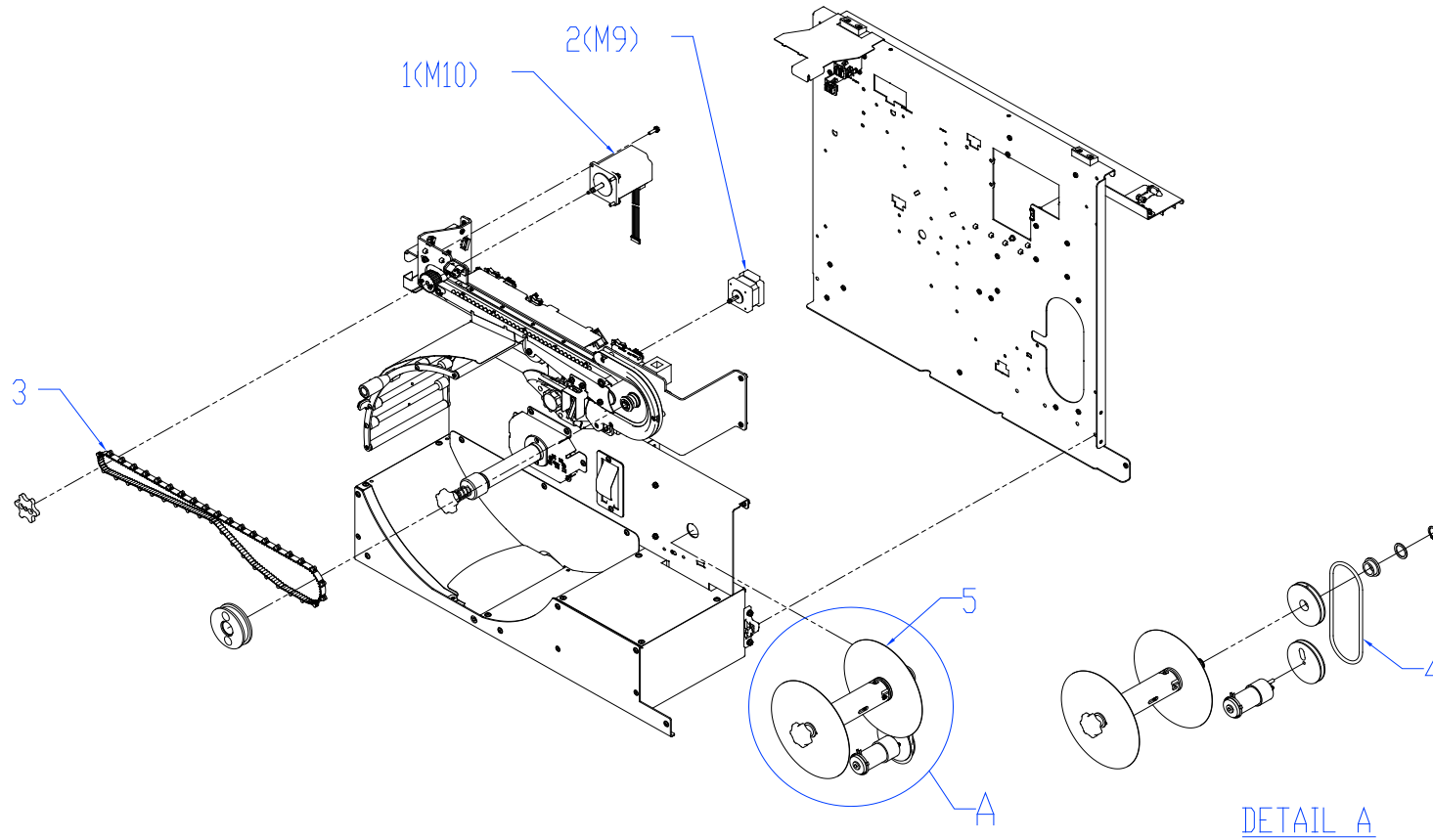


DETAIL B

*For units with SN DK2003L-DK2005L and EC20001L:
 Replace 7716961 (PL 5.9) and 7716577 (PL 5.9) when 7723253 (S22) is replaced.
 Replace 7716961 (PL 5.9), 7716577 (PL 5.9) and 7723253 (PL 5.7) when 7716947 (S22) is replaced.

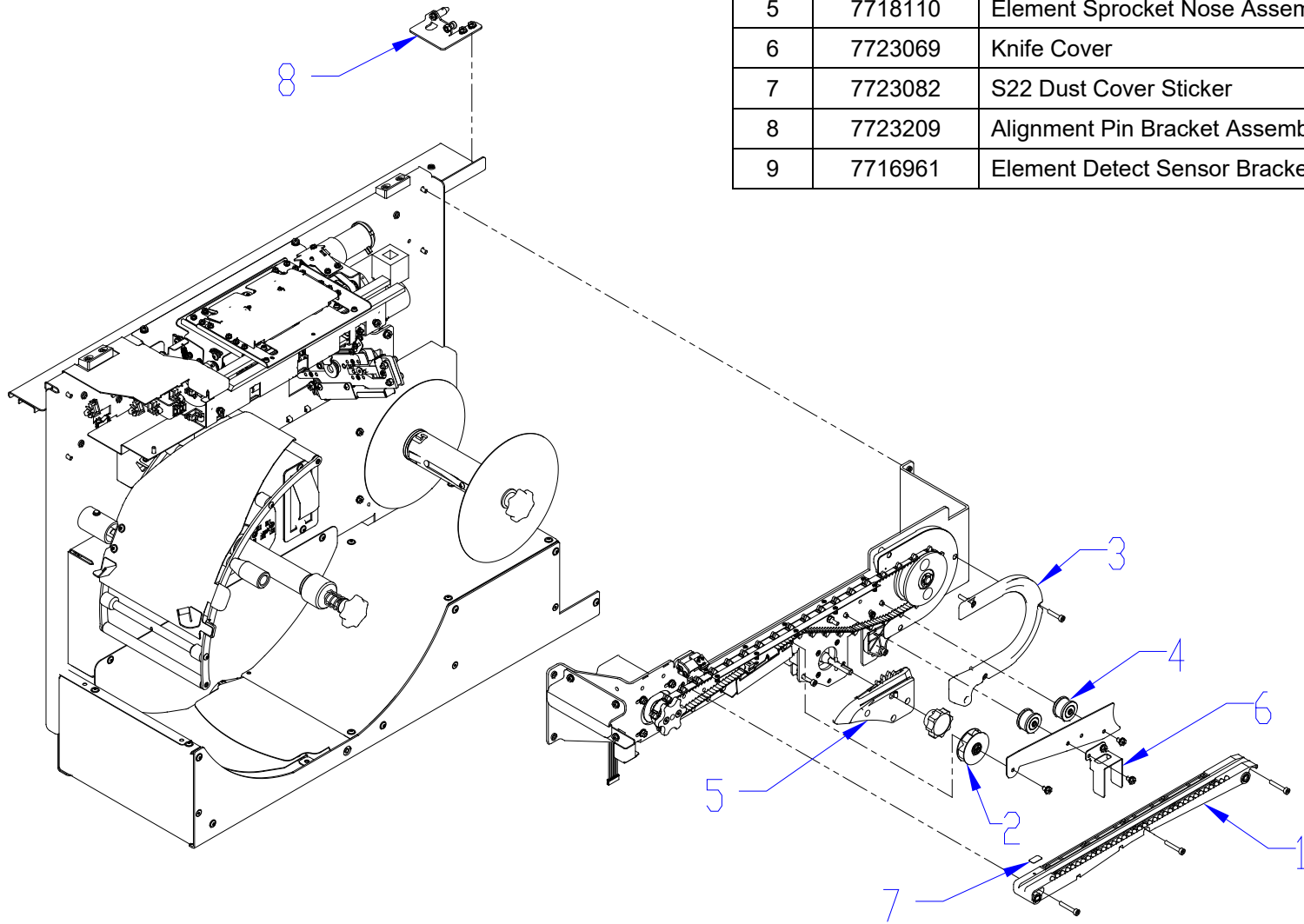
PL 5.8 ELEMENT FEEDER - MOTORS & BELTS

ITEM	GBC PART #	DESCRIPTION	QTY
1	7715200	Element Feed Belt Motor (M10)	1
2	7715337	Element Feed Sprocket Motor (M9)	1
3	7716993	Element Feeder Belt	1
4	7717025	Spool Rewind Belt	1
5	7718107	Spool Rewind Drive Assembly (M8)	1



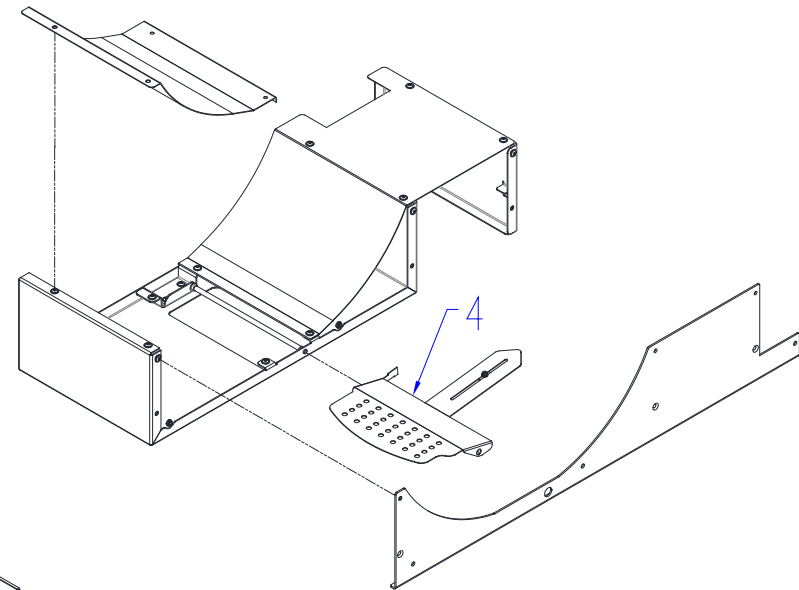
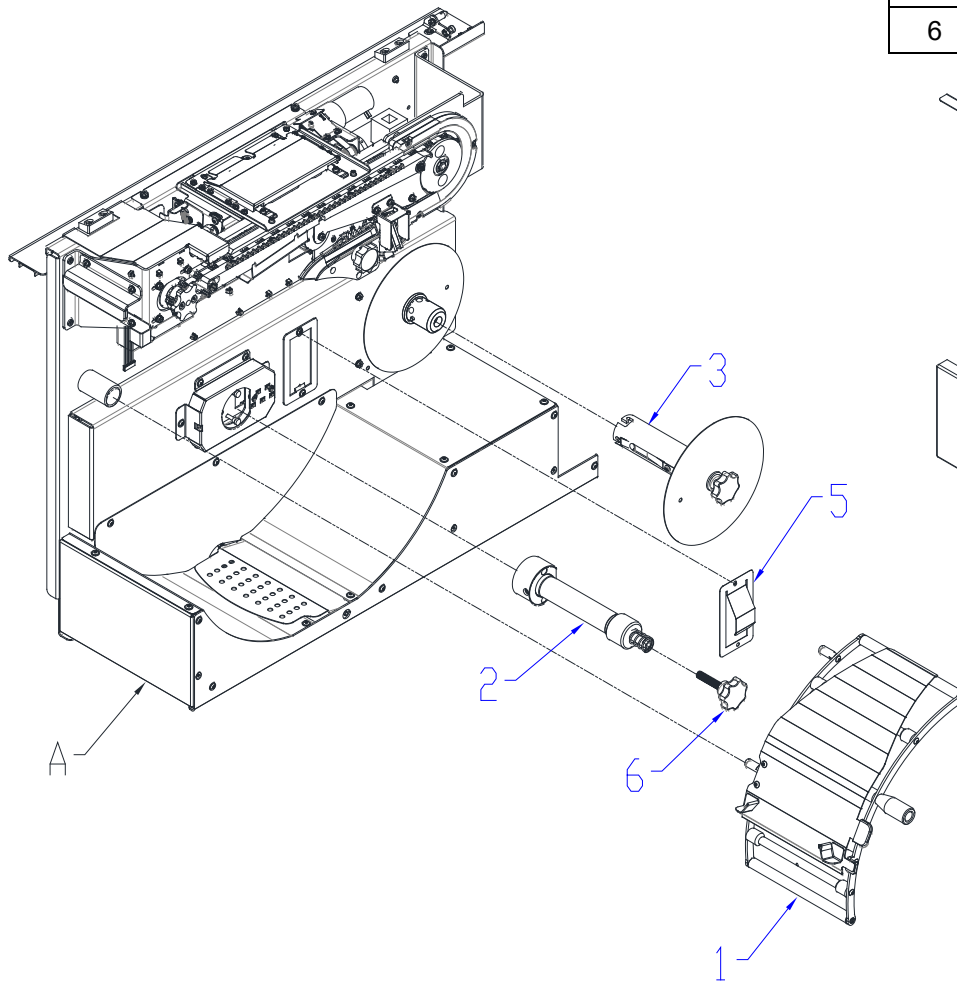
PL 5.9 ELEMENT FEEDER - TOP SECTION

ITEM	GBC PART #	DESCRIPTION	QTY
1	7716577	Element Feed Track Assembly	1
2	7718109	Element Feeder Belt Idler	1
3	7718108	Element Engagement Guide Assembly	1
4	7717029	Idler Roller, Element Feeder Belt	2
5	7718110	Element Sprocket Nose Assembly	1
6	7723069	Knife Cover	1
7	7723082	S22 Dust Cover Sticker	1
8	7723209	Alignment Pin Bracket Assembly	1
9	7716961	Element Detect Sensor Bracket (S22)	1



PL 5.10 ELEMENT FEEDER - BOTTOM SECTION

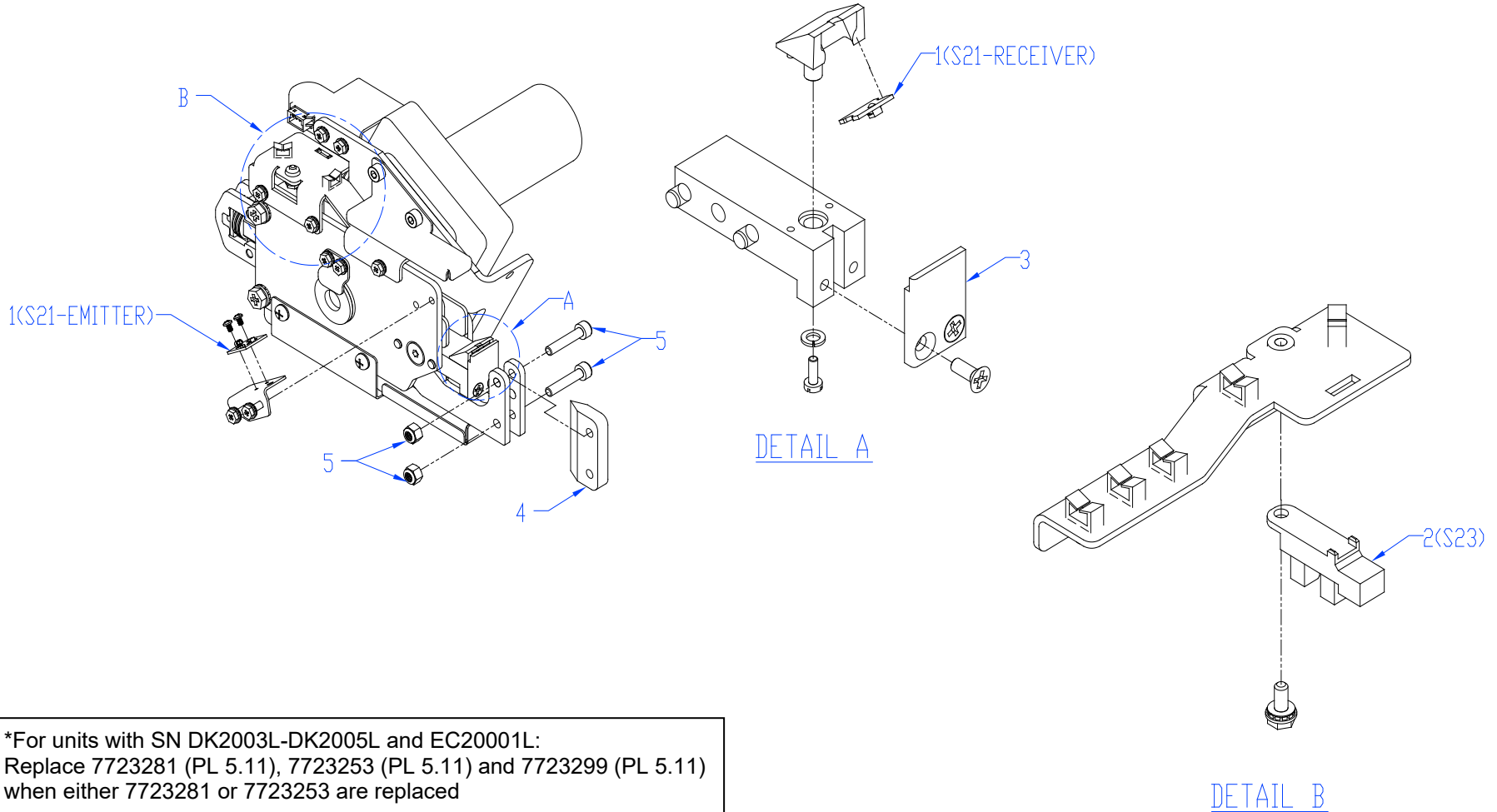
ITEM	GBC PART #	DESCRIPTION	QTY
1	7717017	Element Shield Assembly	1
2	7716948	Spool Spindle Assembly	1
3	7717065	Rewind Spindle Assembly	1
4	7723298	Element Slack Detect Lever Assembly	1
5	7717781	Finger, Spool Brake	1
6	7723422	Spool Retainer Knob	1



DETAIL - A

PL 5.11 ELEMENT FEEDER - KNIFE MODULE

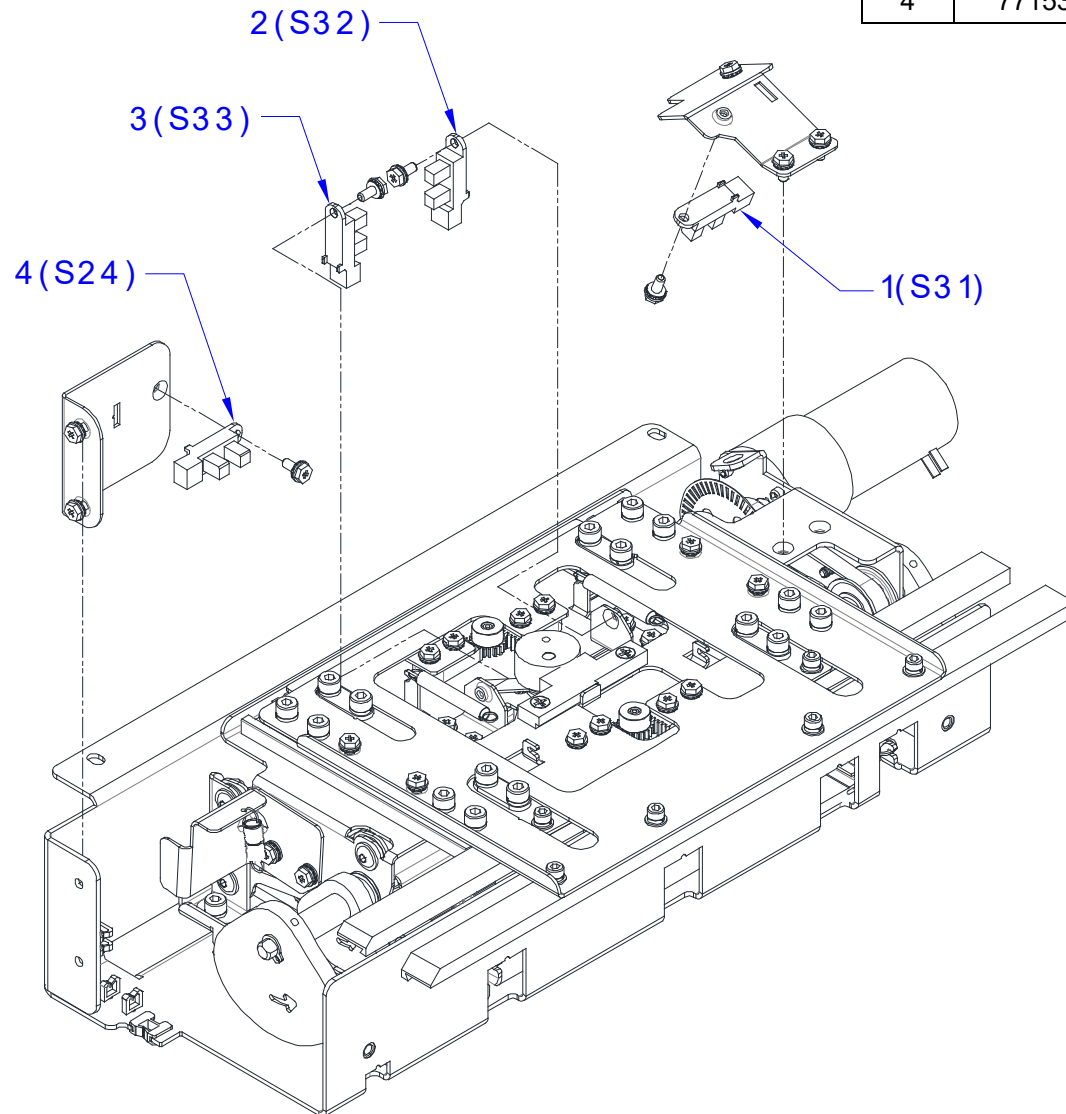
ITEM	GBC PART #	DESCRIPTION	QTY
1*	7723281 7723253	Element Detect at Knife Sensor (S21)	1
2	7715340	Knife Home Sensor (S23)	1
3	-	Knife Anvil with Hardware	1
4	-	Knife Blade	1
5	-	Kit, Knife Blade Mounting Hardware	1
6	7723299	Knife, Anvil, and Hardware (items 3-5)	1



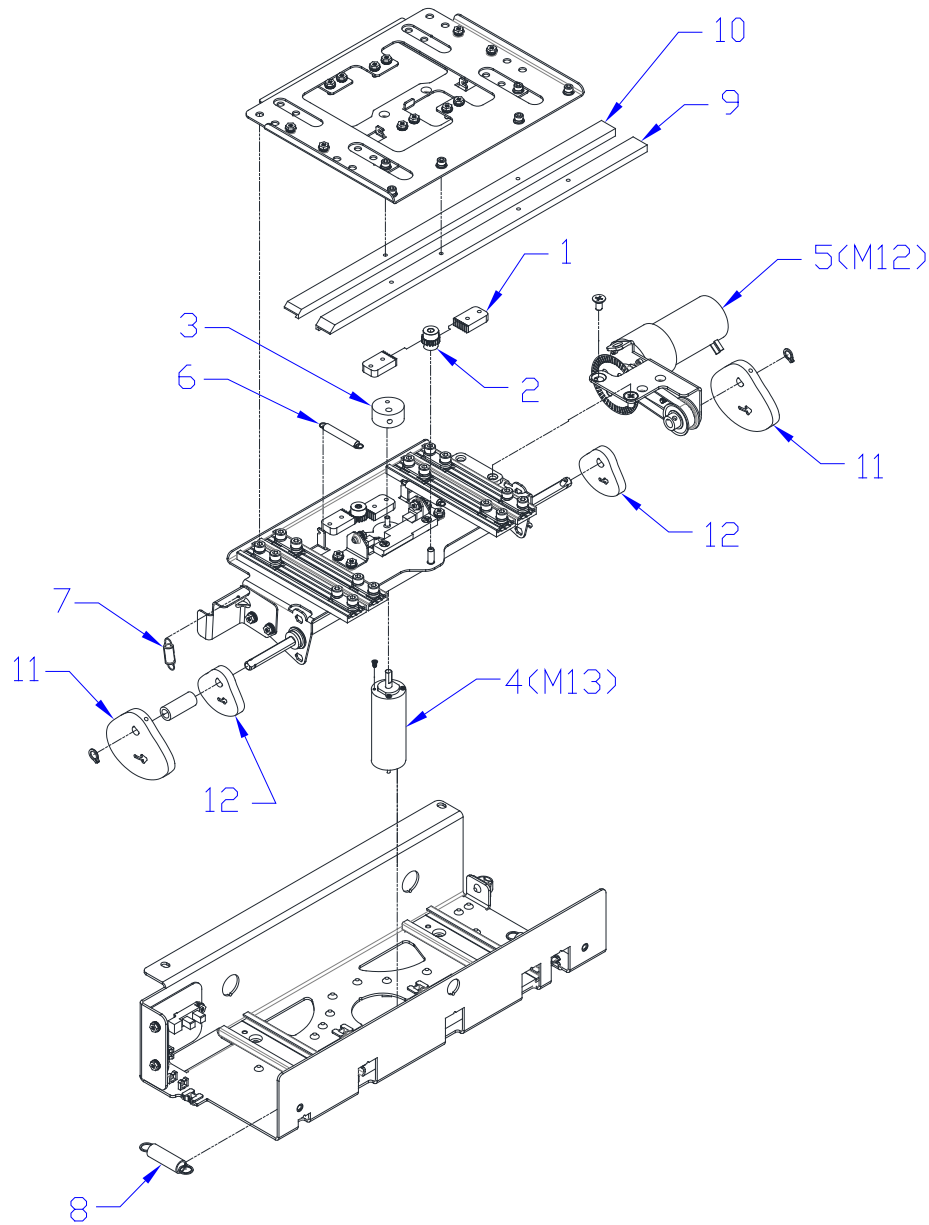
*For units with SN DK2003L-DK2005L and EC20001L:
 Replace 7723281 (PL 5.11), 7723253 (PL 5.11) and 7723299 (PL 5.11)
 when either 7723281 or 7723253 are replaced

PL 5.12 ELEMENT TRANSFER - SENSORS

ITEM	GBC PART #	DESCRIPTION	QTY
1	7715340	Expanding T Encoder Sensor (S31)	1
2	7715340	Expanding T Home Sensor (S32)	1
3	7715340	Expanding T Out Sensor (S33)	1
4	7715340	Pushover Home Sensor (S24)	1



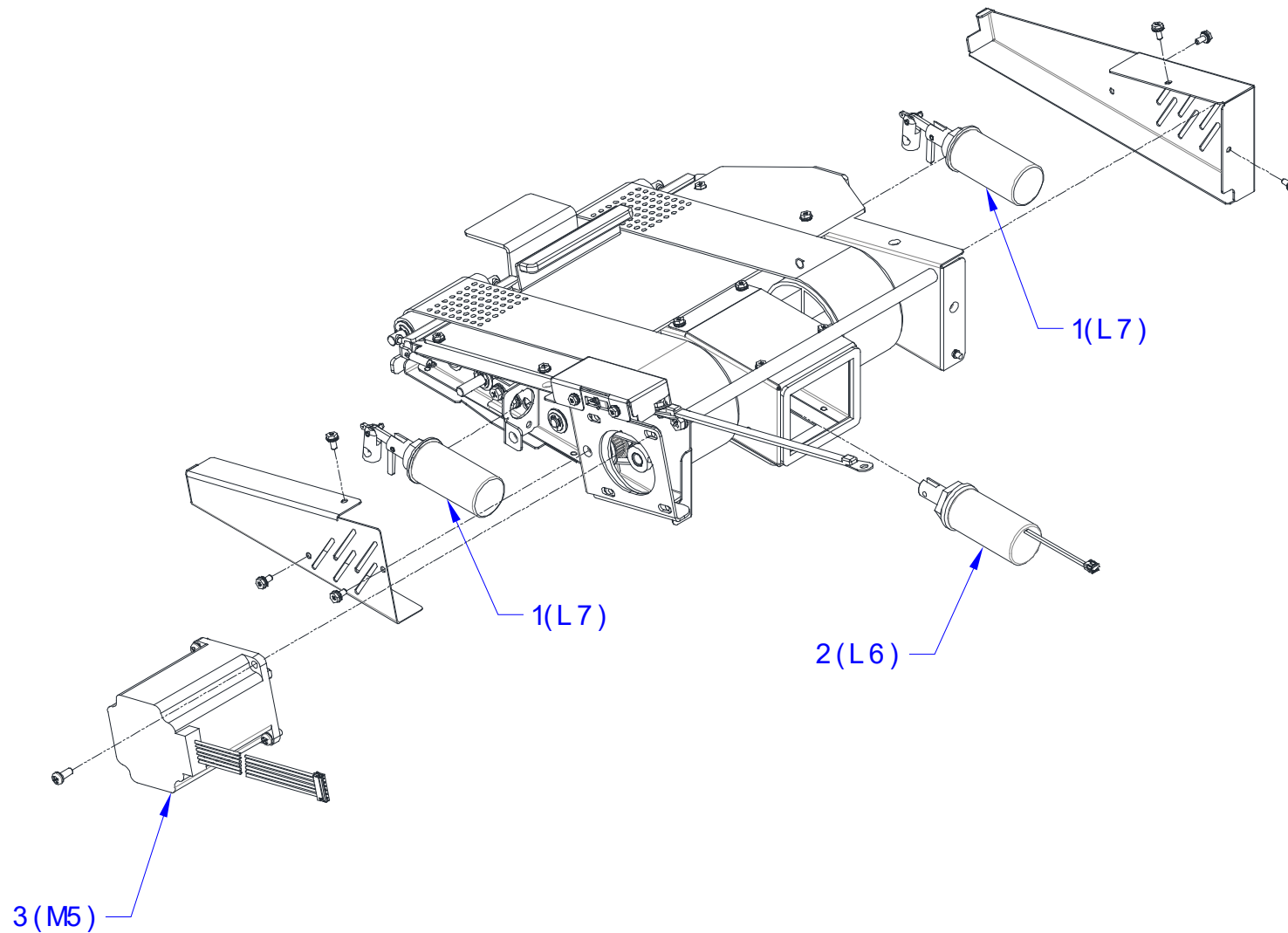
PL 5.13 ELEMENT TRANSFER - COMPONENTS



ITEM	GBC PART #	DESCRIPTION	QTY
1	7716901	Expanding T Rack	4
2	7716913	Expanding T Gear	2
3	7716894	Expanding T CAM	1
4	7723853	Expanding T Motor (M13)	1
5	7717682	Pushover Motor Assembly (M12)	1
6	7717415	Expanding T Spring	2
7	7718131	Exp T Motor Counterbalance Spring	1
8	7717411	Element Pushover Spring	2
9	7723816	Expanding T Leading	1
10	7723817	Expanding T Trailing	1
11	7716897	Expanding T, Pushover CAM, Horizontal	2
12	7716898	Expanding T, Pushover CAM, Vertical	2

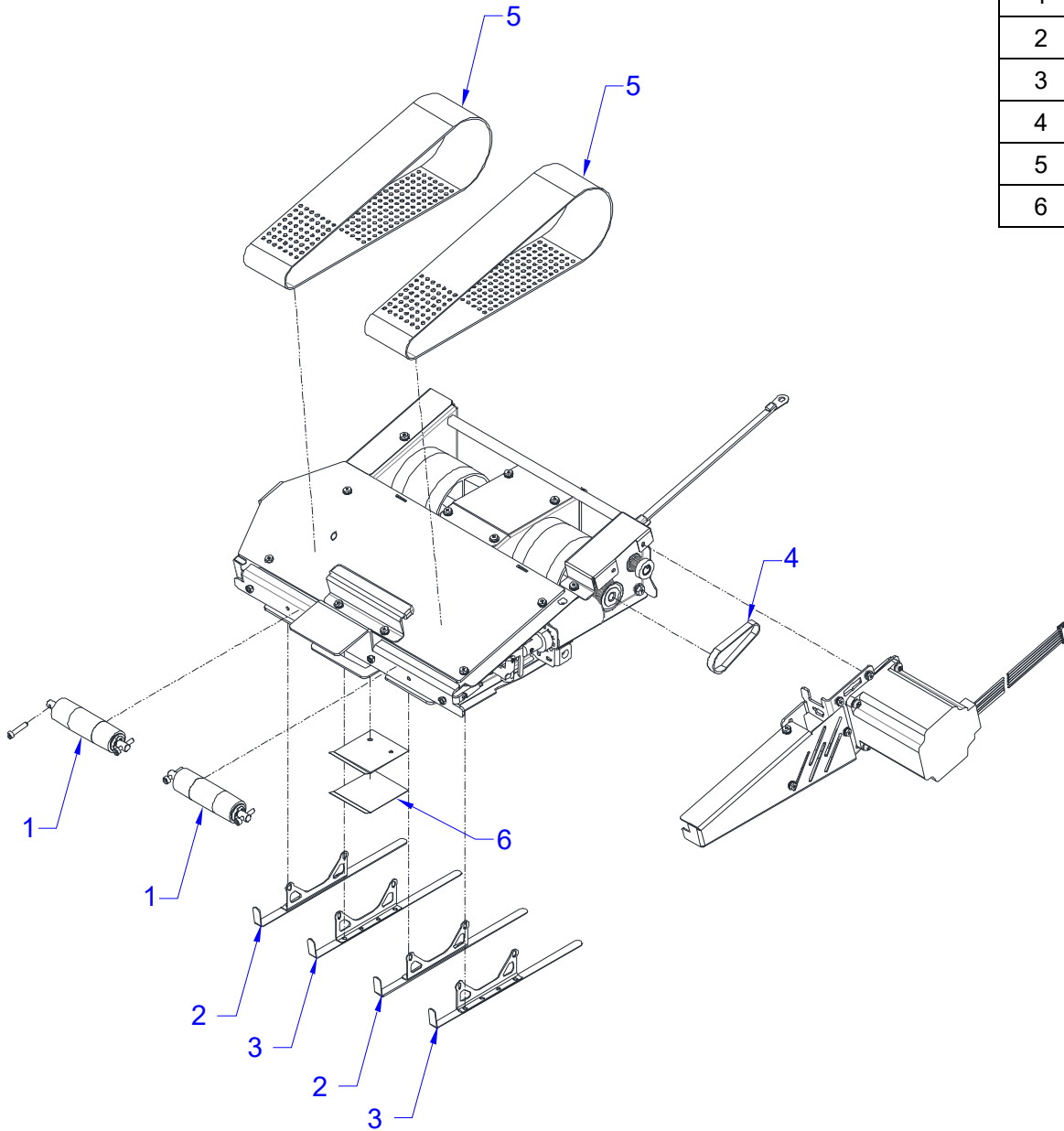
PL 5.14 VACUUM STACKER - MOTORS & SOL

ITEM	GBC PART #	DESCRIPTION	QTY
1	7718112	Kick Down Solenoid Assembly (L7)	2
2	7715289	Drag Finger Solenoid (L6)	1
3	7715200	Stacker Drive Motor (M5)	1

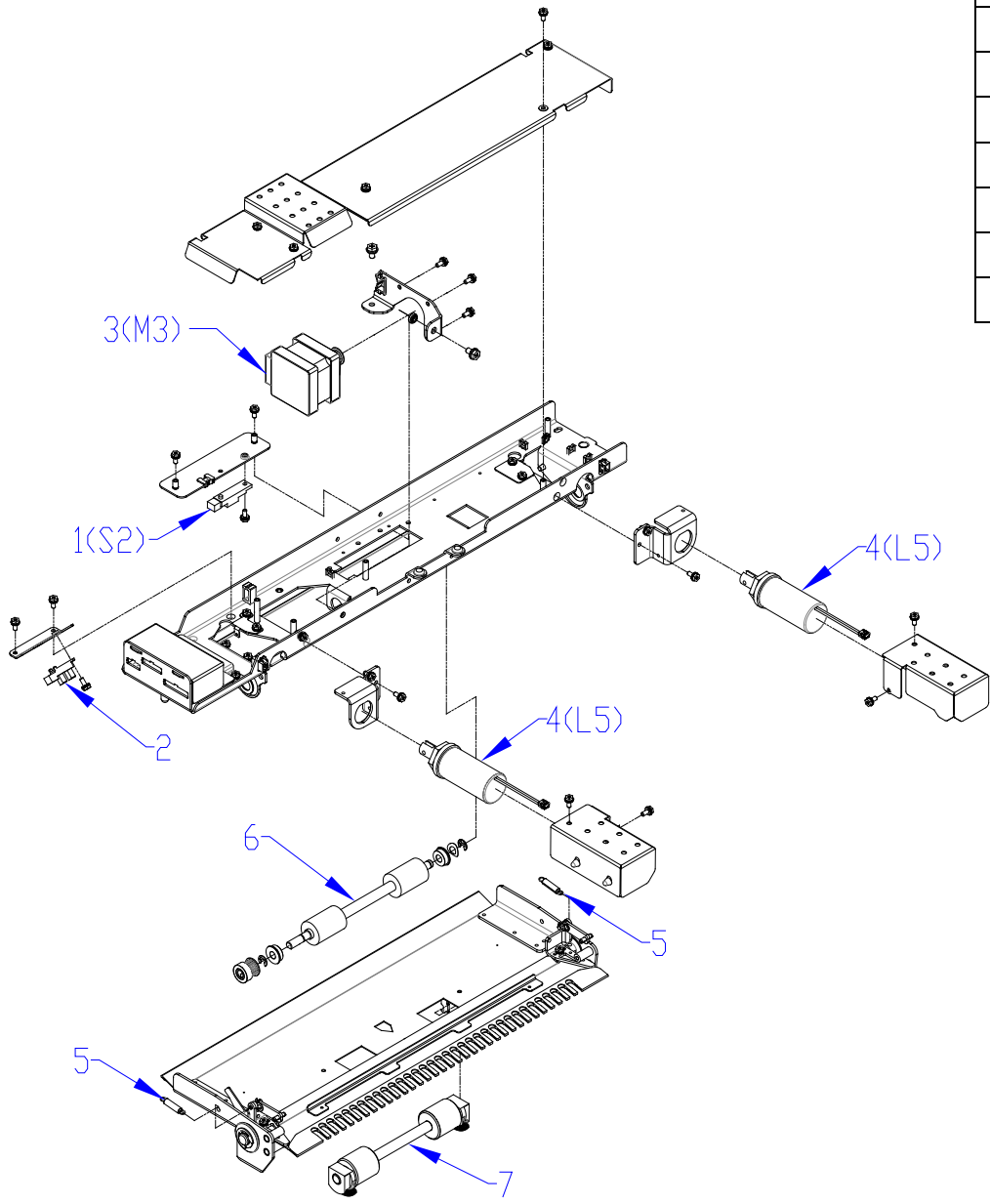


PL 5.15 VACUUM STACKER - MECHANICAL

ITEM	GBC PART #	DESCRIPTION	QTY
1	7718111	Idler Pulley Sub Assembly	2
2	7716828	Kick Down	2
3	7716829	Kick Down, Reverse	2
4	7716803	Stacker Drive Belt	1
5	7716808	Vacuum Stacker Belt	2
6	7718138	Drag Finger Adhesive Grip	1



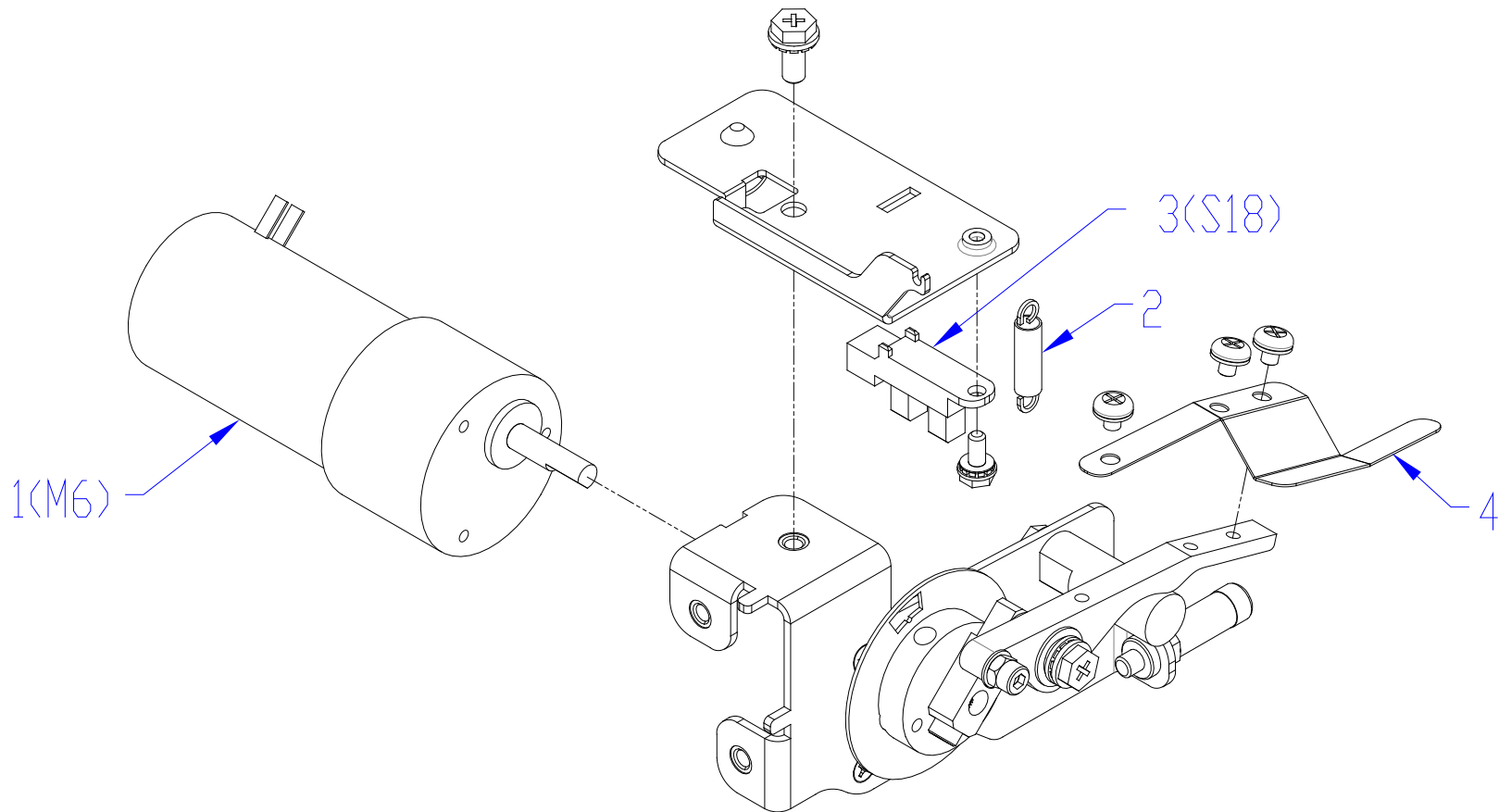
PL 5.16 DEFLECTOR MODULE



ITEM	GBC PART #	DESCRIPTION	QTY
1	7715193	Bind Kick-Down Sensor (S2)	1
2	7715193	Bind Deflect Sensor (S3)	1
3	7723292	Bind Path Motor (M3)	1
4	7718113	Deflector Solenoid Linkage (L5)	2
5	7717429	Deflector Spring	2
6	7716548	Drive Roller Assembly	1
7	7718381	Idler Roller Assembly	1
8	7715340	Deflect Position Sensor (S17)	1

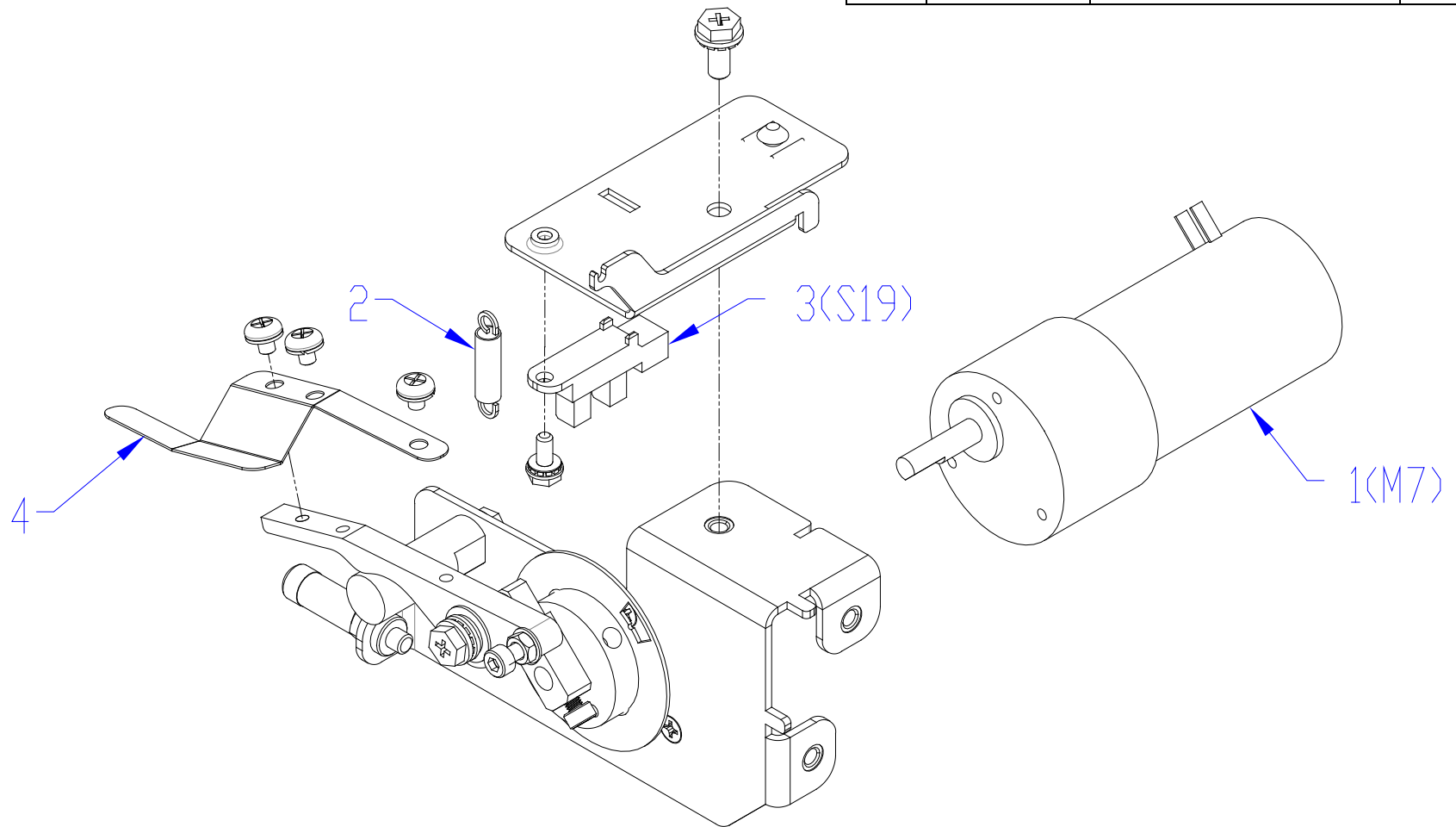
PL 5.17 TAPPER MODULE - FRONT

ITEM	GBC PART #	DESCRIPTION	QTY
1	7723850	Tapper Motor (M6)	1
2	7717404	Tapper Spring	1
3	7715340	Tapper Sensor (S18)	1
4	7716574	Tapper Finger	1



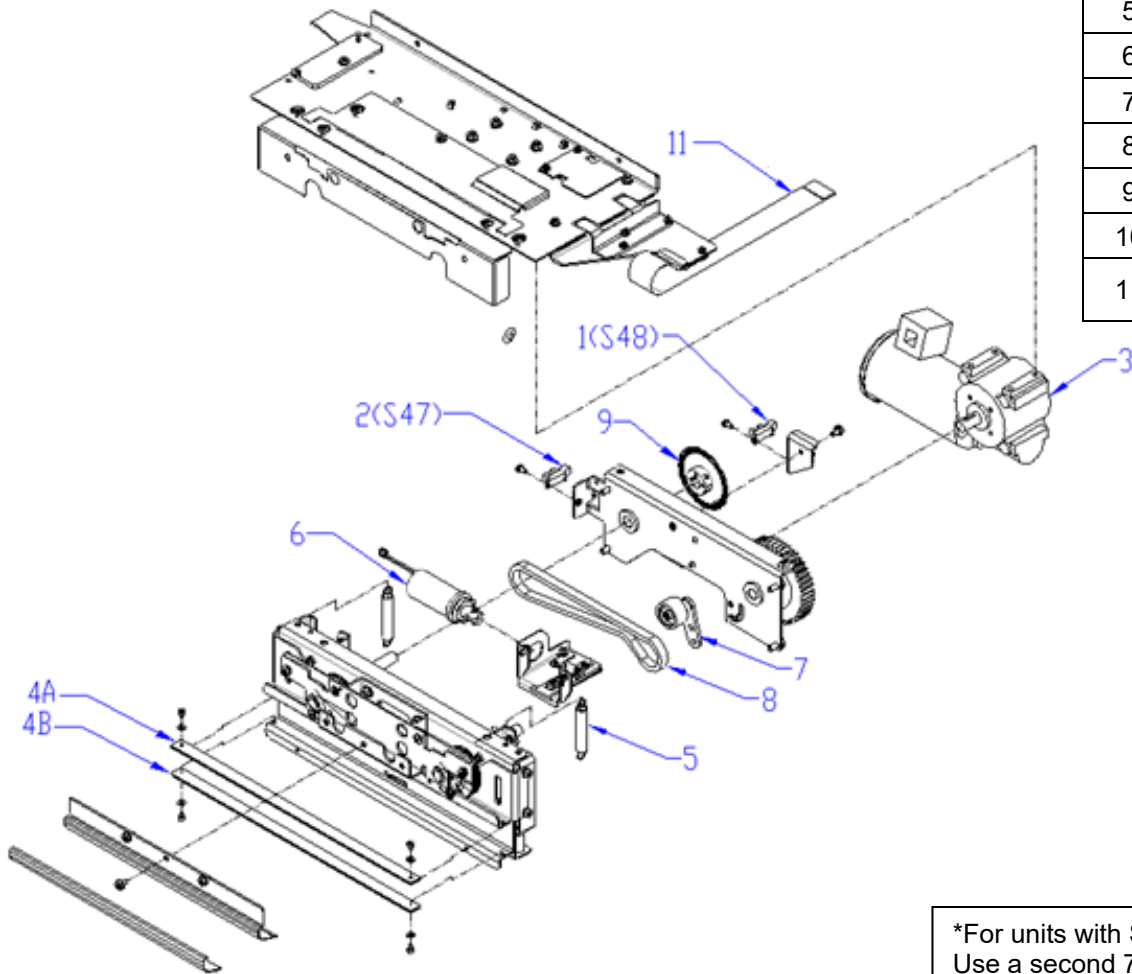
PL 5.18 TAPPER MODULE - REAR

ITEM	GBC PART #	DESCRIPTION	QTY
1	7723850	Tapper Motor (M7)	1
2	7717404	Tapper Spring	1
3	7715340	Tapper Sensor (S19)	1
4	7716860	Finger, Sheet Tapper, Rear	1



PL 5.19 CLOSER MODULE

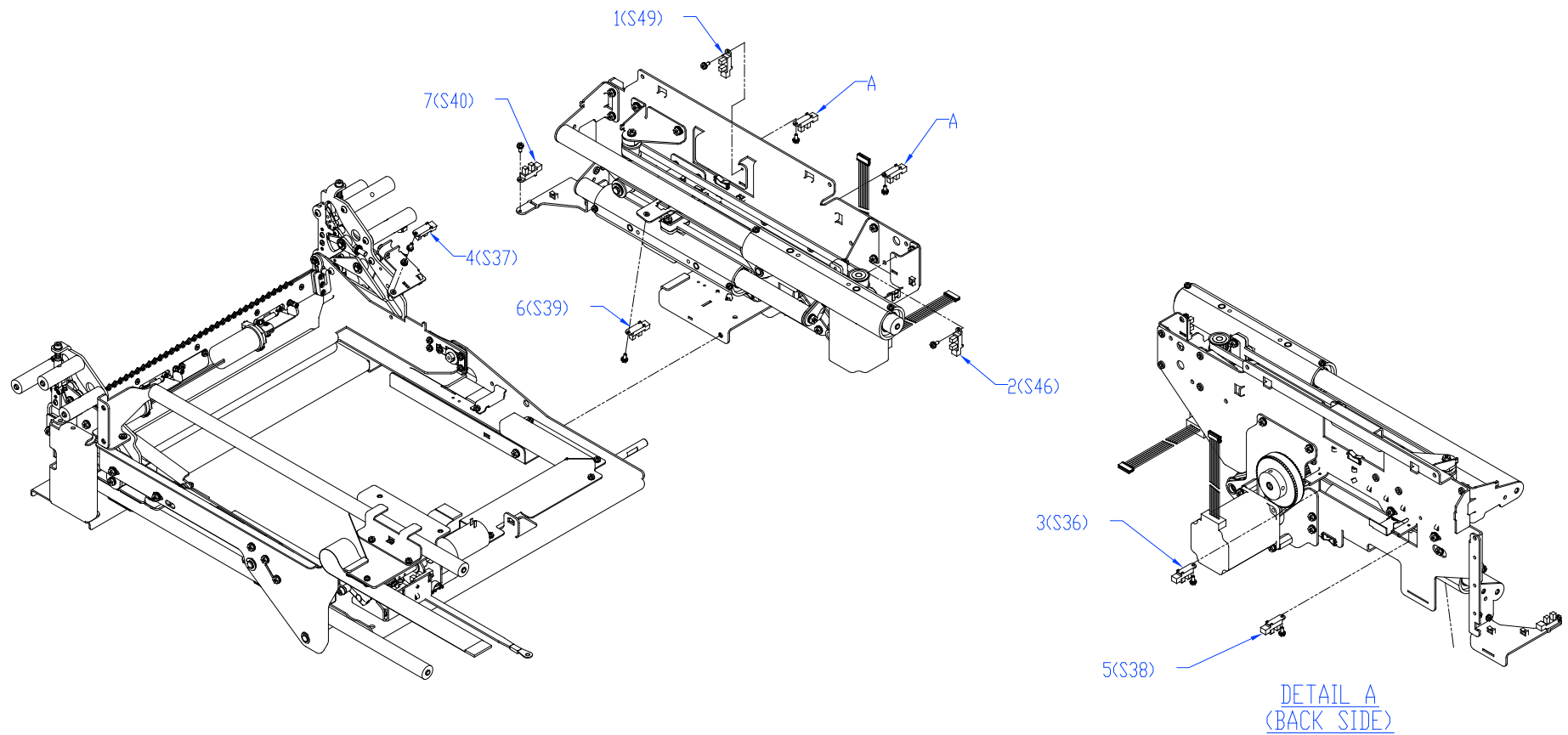
ITEM	GBC PART #	DESCRIPTION	QTY
1	7715340	Closer Encoder Sensor (S48)	1
2	7715340	Closer Full Open Sensor (S47)	1
3	7723852	Closer Motor (M20)	1
4A*	7717658	Closer Jaw, Upper Insert	12
4B	7723288	Closer Jaw, Lower	1
5	7716760	Closer Jaw Spring	2
6	7715289	Solenoid, Book Eject	1
7	7723074	Tensioner Assembly	1
8	7723071	Roller Chain	1
9	7716781	Disk Encoder	1
10	7723070	Sprocket 15T	2
11	Z7723211	Closer front assembly with cable.	1



*For units with SN prior to GGxxxxx:
Use a second 7717658 in place of 7723288 unless the machine has been upgraded to run F size elements.

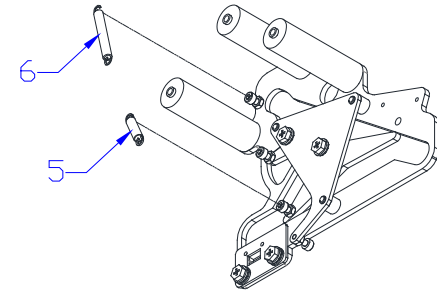
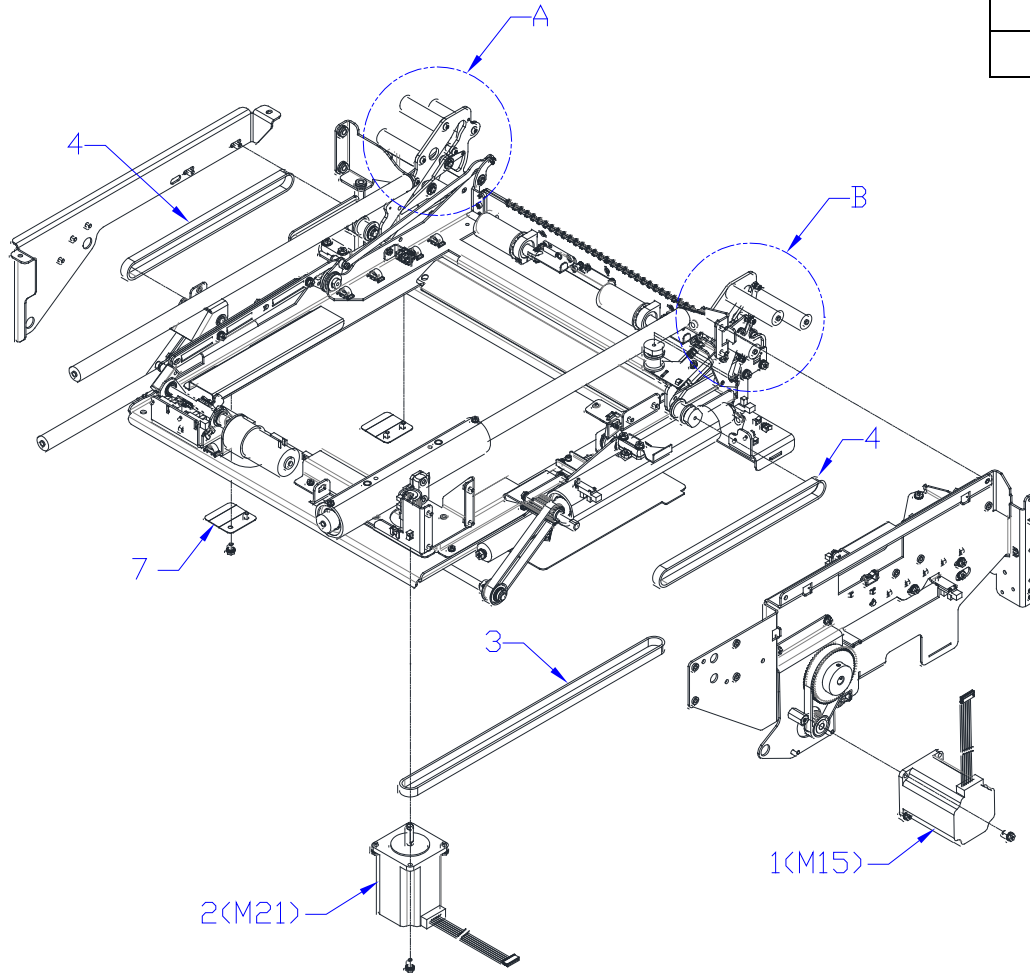
PL 5.20 HOLDER - SENSORS

ITEM	GBC PART #	DESCRIPTION	QTY
1	7715340	Closer Staged Sensor (S49)	1
2	7715340	Closer Home Sensor (S46)	1
3	7715340	Holder Position Closer Sensor (S36)	1
4	7715340	Holder Position Stack Sensor (S37)	1
5	7715340	Holder Position Element Sensor (S38)	1
6	7715340	Holder at Reverse Gate Sensor (S39)	1
7	7715340	Holder Near Element Feeder Sensor (S40)	1

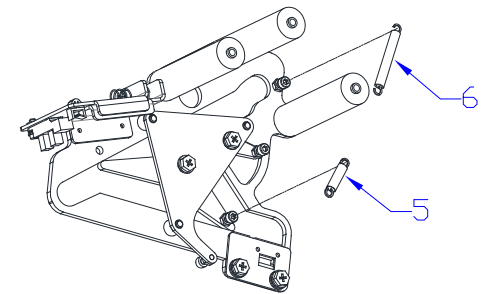


PL 5.21 HOLDER - MOTORS, BELTS & SPRINGS

ITEM	GBC PART #	DESCRIPTION	QTY
1	7715200	Holder Linear Motor (M15)	1
2	7715200	Closer Linear Motor (M21)	1
3	7718423	Closer Linear Drive Belt	1
4	7718427	Holder Linear Drive Belt	1
5	7717404	Holder Gates Spring Lower	2
6	7717685	Holder Gates Spring Upper	2
7	7718183	Linear Spring Plate Assembly	2



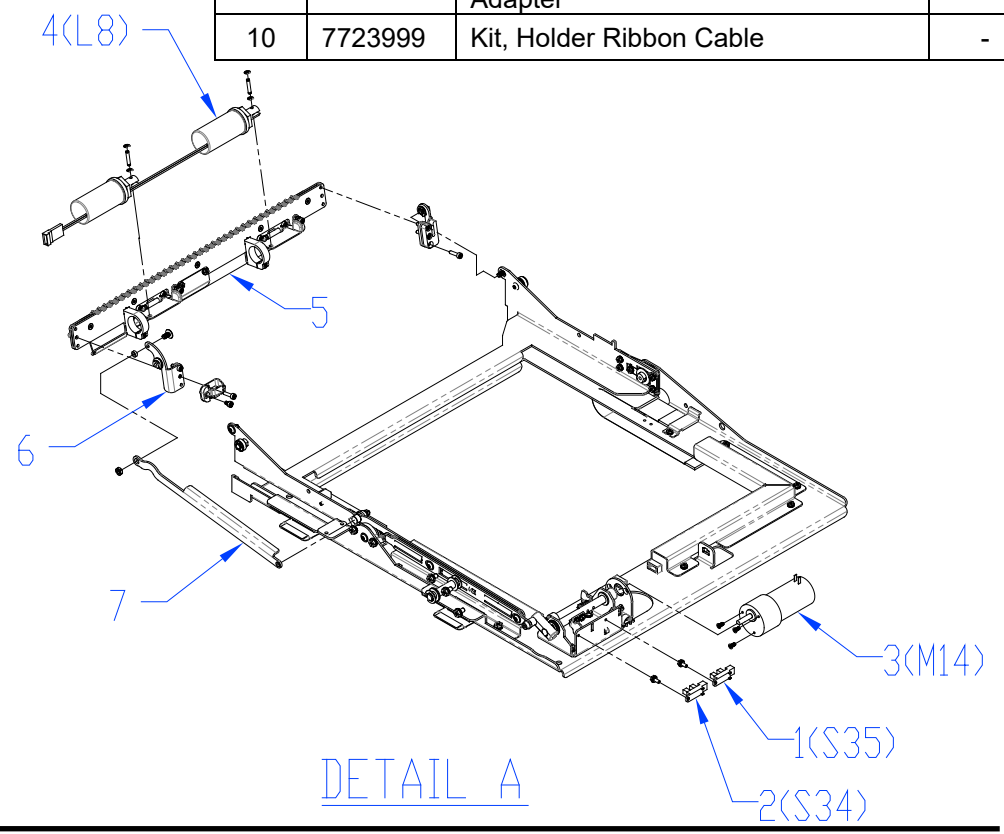
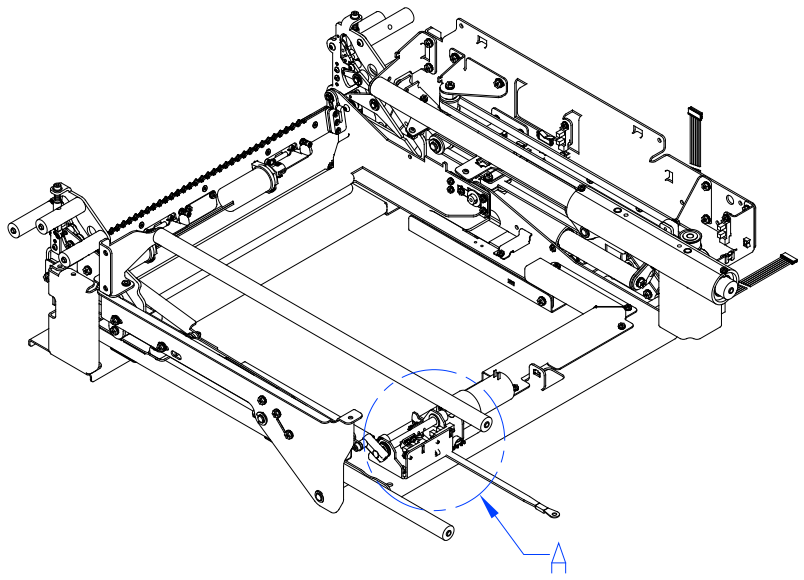
DETAIL A



DETAIL B

PL 5.22 HOLDER - LOCK & ROTATE ASSEMBLIES

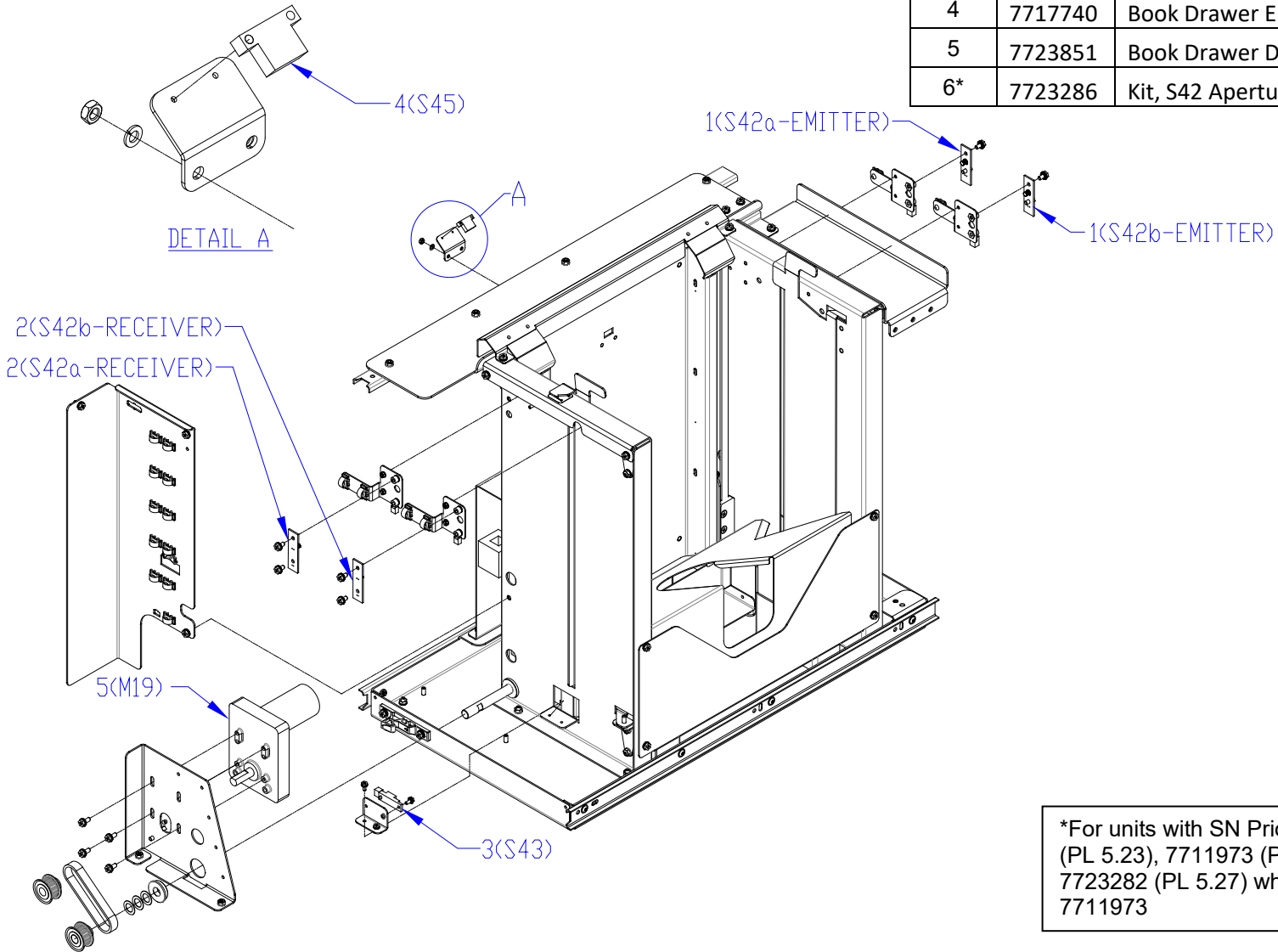
ITEM	GBC PART #	DESCRIPTION	QTY
1	7715340	Holder Rotate Horizontal Sensor (S35)	1
2	7715340	Holder Rotate Vertical Sensor (S34)	1
3	7718056	Holder Rotate Motor (M14)	1
4	7723244	Holder Solenoid Assembly, Ribbon Cable (L8)	1
5	7716612	Holder Lock Sub-Assembly (Contains 4&6)	1
6	7716674	Hinge, Front, Element Holder	1
7	7716675	Link, Holder Rotate	1
8	7723239	Flat Mylar Cable, Holder	1
9	7723240	Cable Assembly, Holder, Ribbon Adapter	1
10	7723999	Kit, Holder Ribbon Cable	-



DETAIL A

PL 5.23 BOOK DRAWER - SENSORS

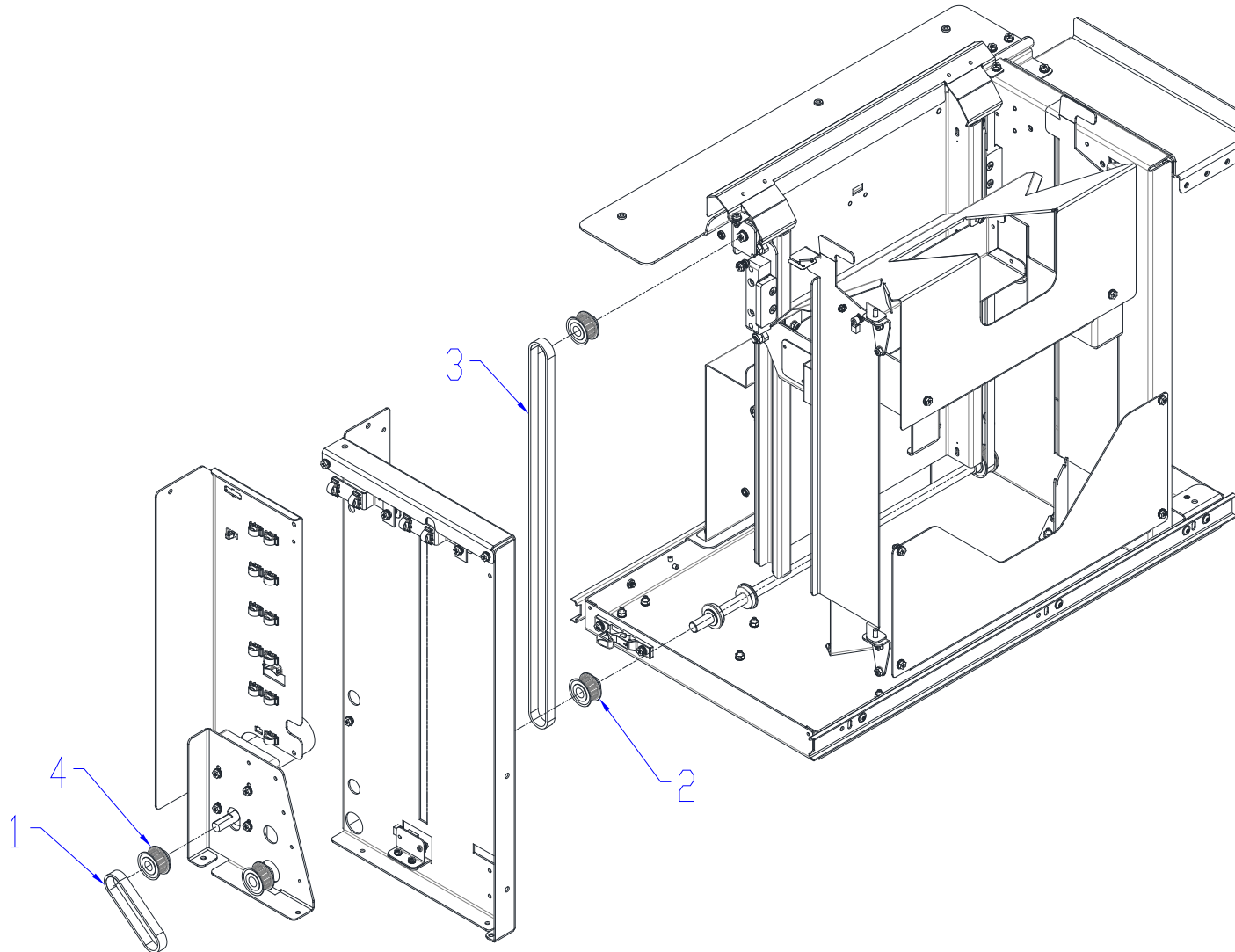
ITEM	GBC PART #	DESCRIPTION	QTY
1*	7711970	Drawer Full Up Sensors Emitter (S42)	2
2*	7711973	Drawer Full Up Sensors Receiver (S42)	2
3	7717443	Drawer Full Down Sensors Emitter (S43)	1
4	7717740	Book Drawer Empty Sensor (S45)	1
5	7723851	Book Drawer Drive Motor (M19)	1
6*	7723286	Kit, S42 Aperture Bracket, Service	1



*For units with SN Prior to ELxxxxxx, replace 7711970 (PL 5.23), 7711973 (PL 5.23), 7723286(PL 5.23) and 7723282 (PL 5.27) when replacing either 7711970 or 7711973

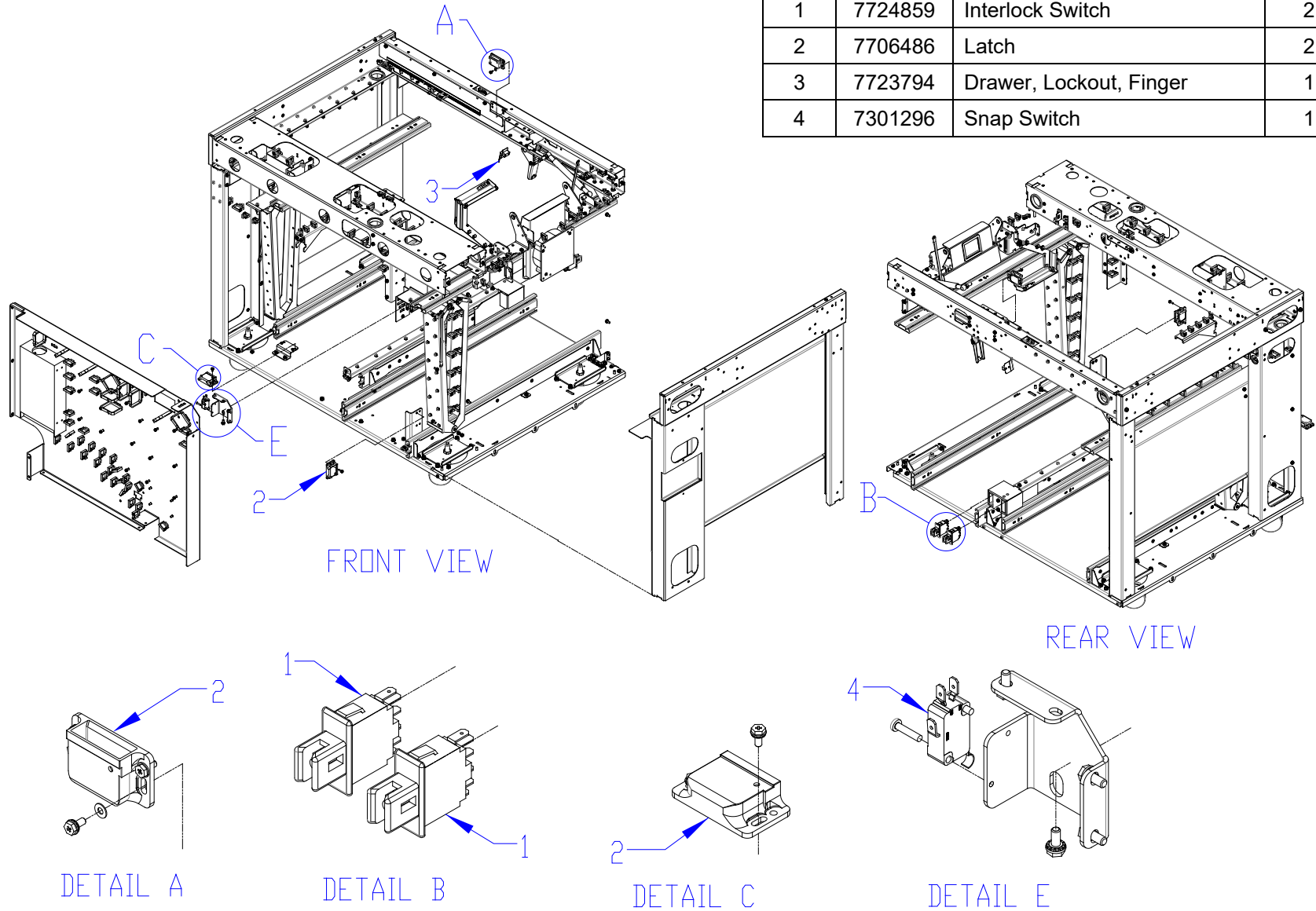
PL 5.24 BOOK DRAWER - BELTS & PULLEYS

ITEM	GBC PART #	DESCRIPTION	QTY
1	7717828	Belt, Book Tray Drive Motor	1
2	7718022	Pulley, Book Tray Drive Shaft	2
3	7717818	Belt, Book Tray Vertical Lift	1
4	7717820	Pulley, Book Tray Vertical Lift	2



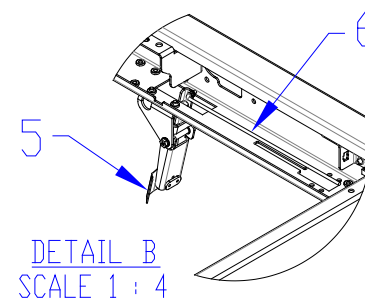
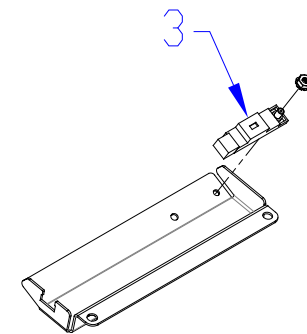
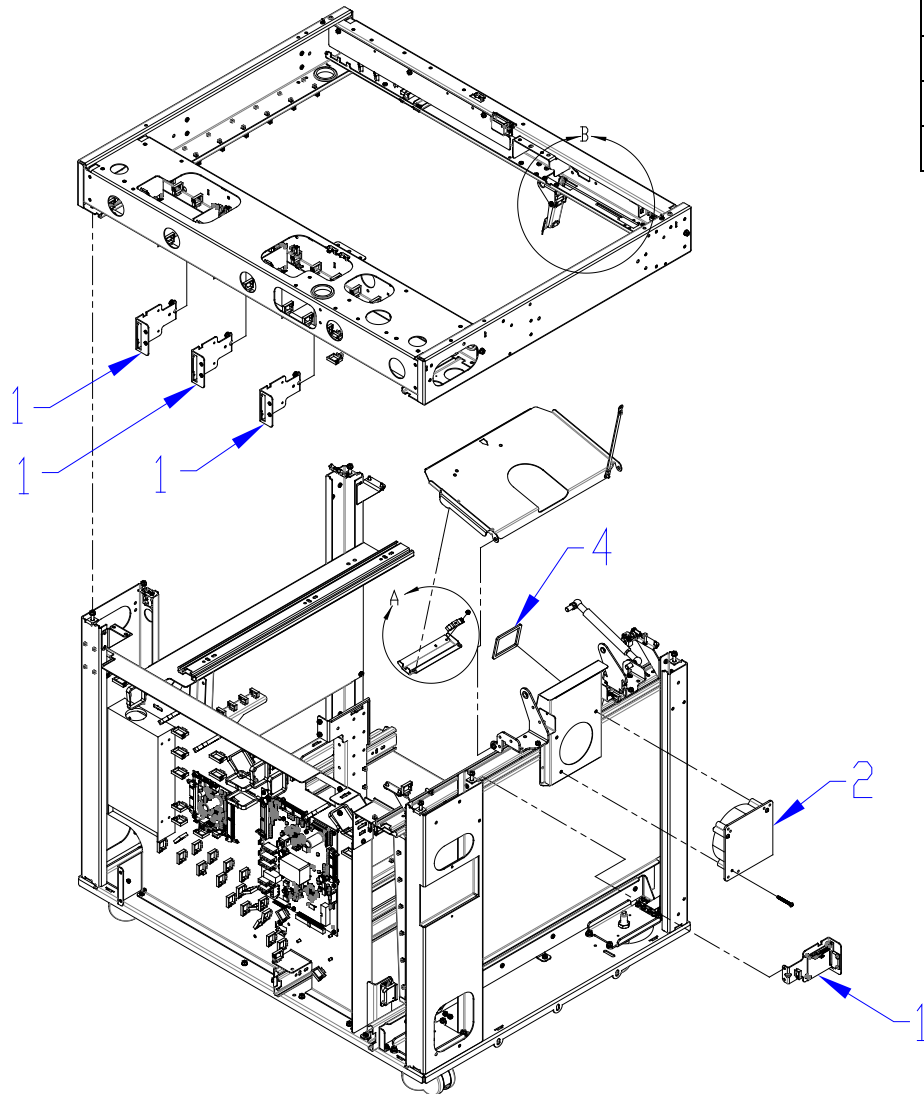
PL 5.25 FRAME - SWITCHES & LATCHES

ITEM	GBC PART #	DESCRIPTION	QTY
1	7724859	Interlock Switch	2
2	7706486	Latch	2
3	7723794	Drawer, Lockout, Finger	1
4	7301296	Snap Switch	1



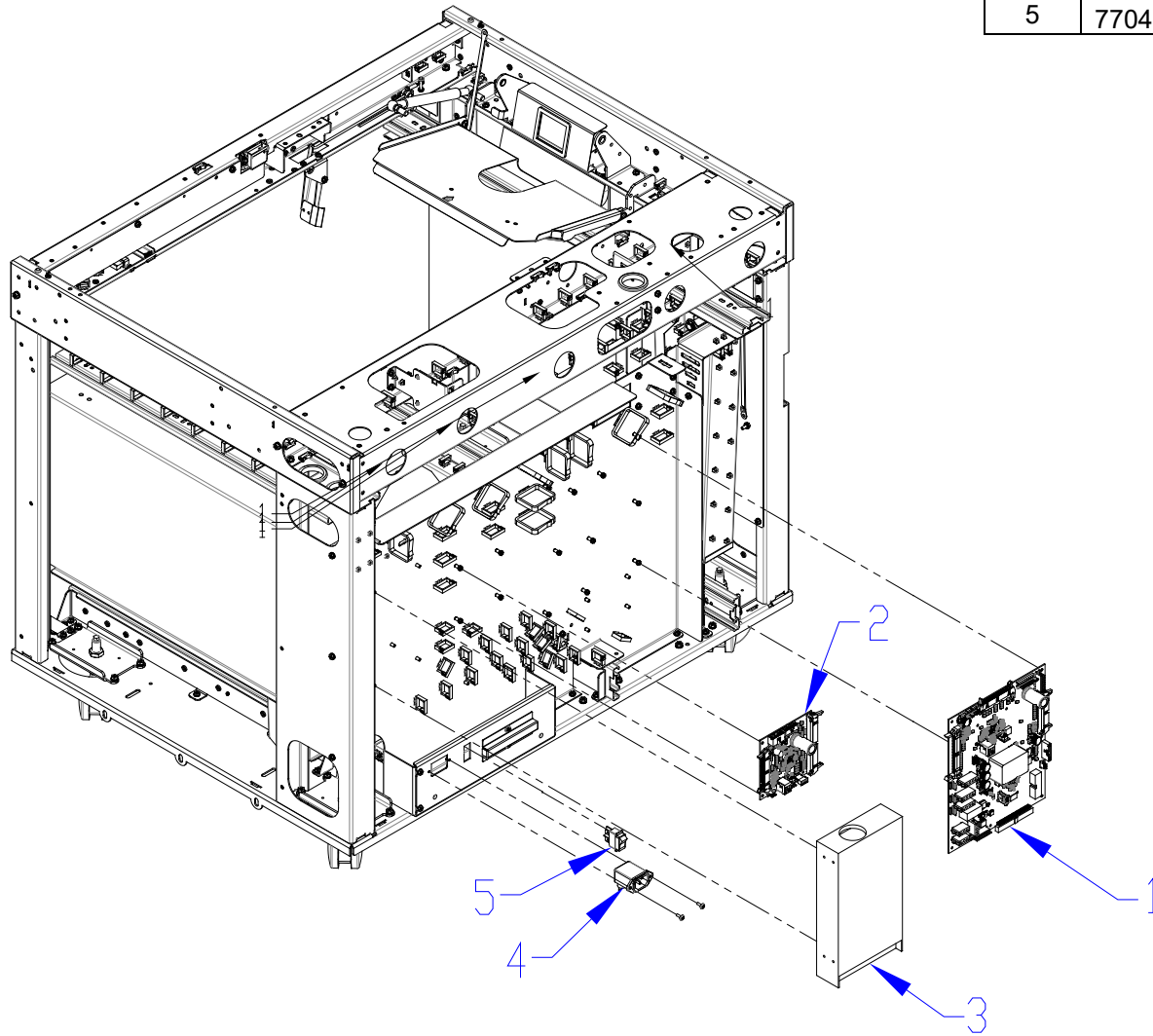
PL 5.26 FRAME - VACUUM & LOCKOUT

ITEM	GBC PART #	DESCRIPTION	QTY
1	7715275	Stepper Driver Board	4
2	7717339	Vacuum Fan	1
3	7715193	Stacker Paper Detect Sensor (S44)	1
4	7717237	Vacuum Duct Gasket	1
5	7723794	Element Drawer Lockout Finger	1
6	7717644	Element Drawer Lockout Linkage	1



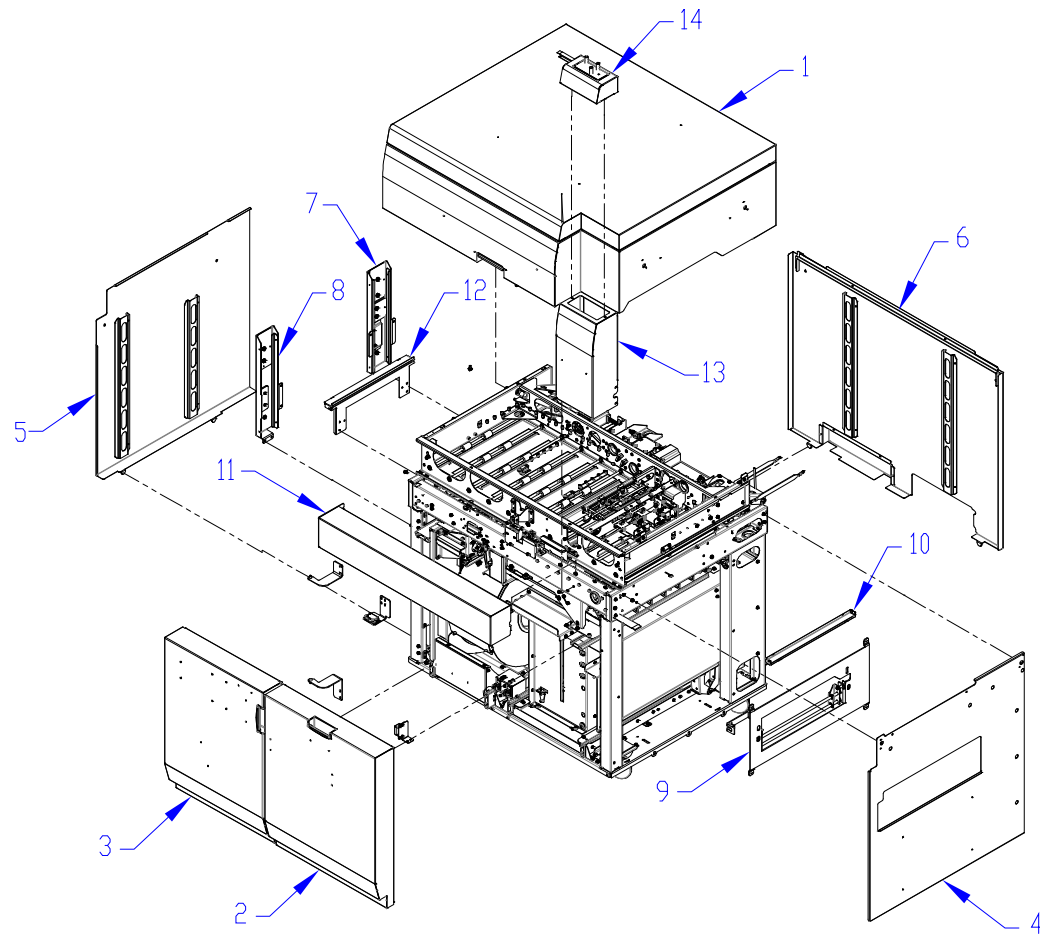
PL 5.27 ELECTRICAL COMPONENTS

ITEM	GBC PART #	DESCRIPTION	QTY
1	7716592	Main Control Board A-C	1
2*	7723282	Main Control Board B, NBDR	1
3	7715637	24 VDC Power Supply	1
4	6195001	RFI Filter	1
5	7704376	AC Power Rocker Switch	1



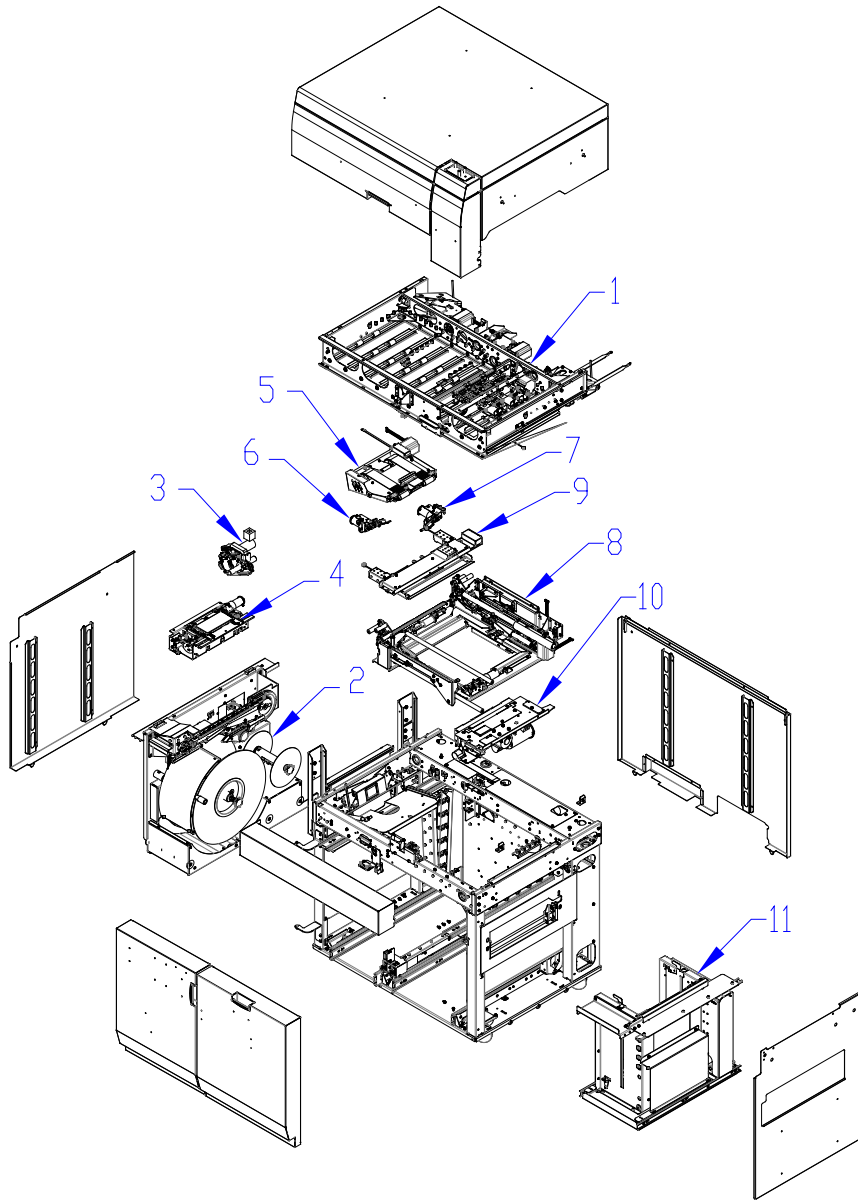
*For units with SN Prior to ELxxxxxx, replace 7711970, 7711973, and 7723286 when replacing 7723282

PL 5.28 OUTER COVERS



ITEM	GBC PART #	DESCRIPTION	QTY
1	7718205	Top Cover Assembly	1
2	7718219	Door, Book Tray	1
3	7718229	Door, Element Feeder	1
4	7718233	Side Panel Assembly, Left	1
5	7718237	Side Panel Assembly, Right	1
6	7718238	Back Cover Assembly	1
7	7718212	Docking Bracket, Rear	1
8	7718213	Docking Bracket, Front	1
9	7718228	Docking Bracket Assembly	1
10	7717700	Paper Infeed Guide	1
11	7718253	Front Cover Panel Assembly	1
12	7717703	Paper Outfeed Guide	1
13	7718224	LCD Tower	1
14	7718216	LCD Tower Cap (with LCD)	1

PL 5.29 MAIN ASSEMBLY (MODULES)



ITEM	GBC PART #	DESCRIPTION	QTY
1	-	Paper Transport Complete Assy	1
2	7716970	Element Feeder	1
3	7716862	Knife Assy	1
4	7716887	Element Transfer, Module Assy	1
5	7716805	Module, Vacuum, Conveyor	1
6	7716863	Front Tapper Assy	1
7	7716874	Rear Tapper Assy	1
8	-	Holder Module	1
9	7717350	Deflector Module, FWD	1
10	7716762	Closer Module	1
11	7717420	Book Drawer, Complete	1

PL 5.30 TOOLS & KITS

ITEM	GBC PART #	DESCRIPTION
1	7717881	Element Height Setup Tool
2	7717879	Punched Hole Position Check
3	7718072	Magnet, eWire Spool
4	7718648	Wipes, Cleaning, Anti-Static
5	7718064	Instruction Sheet, Spool Replacement
6	7723287	Kit, Spare Fasteners, eWire, Service

PL 5.31 CABLES

GBC PART #	DESCRIPTION
Z7716701	WIRE HARNESS, VACUUM STACKER INTERNAL
Z7716702	WIRE HARNESS, CLOSER MODULE INTERNAL
Z7716703	CABLE ASSY, PCB TO CLOSER
Z7716704	CABLE ASSY, KNIFE MODULE
Z7716706	CABLE ASSY, HOLDER INTERNAL, USER SIDE
Z7716709	CABLE ASSY, PCB TO HOLDER MODULE
Z7716711	CABLE ASSY, PCB TO ELEMENT FEEDER HEADER
Z7716712	CABLE ASSY, SHEET TAPPERS
Z7716713	CABLE ASSY, LCD
Z7716714	CABLE ASSY, INTERLOCK, ELEMENT FEEDER
Z7716715	CABLE ASSY, INTERLOCK, BOOK DRAWER
Z7716716	CABLE ASSY, INTERLOCK, TOP COVER
Z7716717	CABLE ASSY, ELEM. FEEDER MOVEABLE CABLE #1
Z7716718	CABLE ASSY, ELEM. FEEDER MOVEABLE CABLE #2
Z7716719	CABLE ASSY, ELEM. FEEDER MOVEABLE CABLE #3
Z7716720	CABLE ASSY, ELEM. FEEDER INTERNAL #1
Z7716721	CABLE ASSY, ELEM. FEEDER INTERNAL #2
Z7716723	CABLE ASSY, 24VDC, ELEM. FEEDER INTERNAL
Z7716724	CABLE ASSY, 24VDC, ELEM. FEEDER, MOVEABLE
Z7716725	CABLE ASSY, 24VDC, PCB TO MOTOR DRIVERS #1
Z7716726	CABLE ASSY, 24VDC, SUPPLY TO PCB
Z7716727	CABLE ASSY, AC, NEUTRAL, INLET FILER TO SWITCH
Z7716730	CABLE ASSY, PCB TO BOOK DRAWER
Z7716731	CABLE ASSY, BOOK DRAWER, MOVEABLE HARNESS
Z7716732	CABLE ASSY, BOOK DRAWER MODULE, INTERNAL
Z7716734	CABLE ASSY, PCB INTERLINK, B TO A
Z7716737	CABLE ASSY, ALIGNMENT MODULE SENSOR BOARD
Z7716738	CABLE ASSY, SKEW BOARD
Z7716740	CABLE ASSY, 24VDC, MOTOR DRIVERS #3
Z7716741	CABLE ASSY, 24VDC, MOTOR DRIVERS #4
Z7716742	CABLE ASSY, 24VDC, SUPPLY TO PCB B
Z7716743	CABLE ASSY, GROUND WIRE, 20cm
Z7717197	CABLE, STEPPER DRIVER TO MOTOR
Z7717198	CABLE STEERING, MTR TO HDR
Z7717199	CABLE STEERING, DRV TO HDR
Z7717347	FLAT MYLAR CABLE, HOLDER
Z7717348	FLAT MYLAR CABLE, CLOSER
Z7717472	CABLE ASSY, ELEM TRANSFER, EXTENSION
Z7717473	CABLE ASSY, ELEM TRANSFER, INTERNAL

Z7717870	CABLE, PSU TO A-C BOARD, EWIRE
Z7717871	CABLE, SWITCH TO A-C BOARD, EWIRE
Z7718556	JUMPER , BOOK DRAWER
Z7718656	CABLE, COMMS, EWIRE TO SPARTA, INTERNAL
Z7723151	CABLE, EXTENSION, VACUUM STACKER MOTOR
Z7723193	CABLE, EF SWITCH CLOSE
Z7723239	CABLE ASSY, HOLDER, RIBBON ADAPTER
Z7723240	FLAT MYLAR CABLE, HOLDER
Z7723211	CLOSER FRONT ASSY WITH CABLE
Z7723185	ASM, COMM CABLE & USB COVER