

---

---

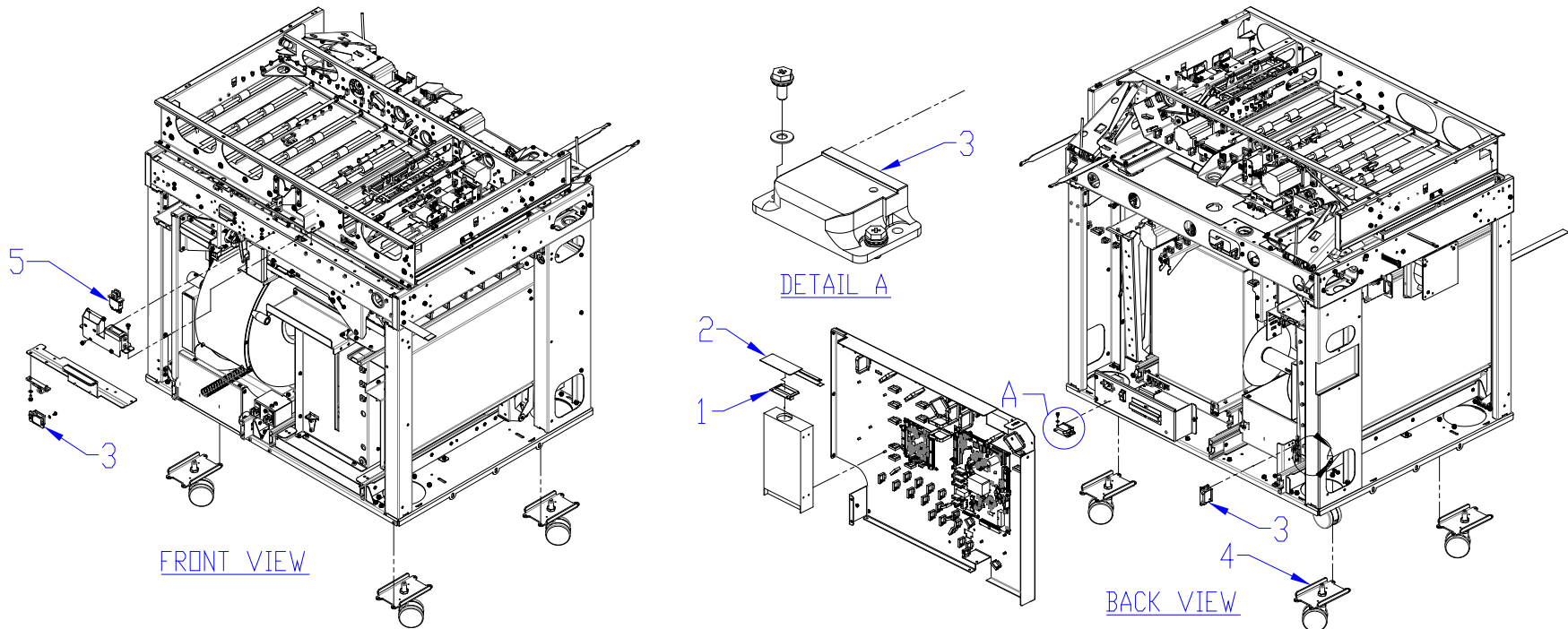
# 5. Parts List

## Section Contents

Title	Page
PL 5.1	LCD, INTERLOCKS, CASTERS..... 2
PL 5.2	PAPER TRANSPORT - SENSORS..... 3
PL 5.3	PAPER TRANSPORT - MOTORS & SOL..... 4
PL 5.4	PAPER TRANSPORT - REAR SECTION ..... 5
PL 5.5	PAPER TRANSPORT - ROLLERS ..... 6
PL 5.6	PAPER TRANSPORT - OTHER PARTS..... 7
PL 5.7	ELEMENT FEEDER - SENSORS ..... 8
PL 5.8	ELEMENT FEEDER - MOTORS & BELTS ..... 9
PL 5.9	ELEMENT FEEDER - TOP SECTION..... 10
PL 5.10	ELEMENT FEEDER - BOTTOM SECTION..... 11
PL 5.11	ELEMENT FEEDER - KNIFE MODULE ..... 12
PL 5.12	ELEMENT TRANSFER - SENSORS..... 13
PL 5.13	ELEMENT TRANSFER - COMPONENTS ..... 14
PL 5.14	VACUUM STACKER - MOTORS & SOL..... 15
PL 5.15	VACUUM STACKER - MECHANICAL ..... 16
PL 5.16	DEFLECTOR MODULE..... 17
PL 5.17	TAPPER MODULE - FRONT ..... 18
PL 5.18	TAPPER MODULE - REAR..... 19
PL 5.19	CLOSER MODULE..... 20
PL 5.20	HOLDER - SENSORS ..... 21
PL 5.21	HOLDER - MOTORS, BELTS & SPRINGS..... 22
PL 5.22	HOLDER - LOCK & ROTATE ASSEMBLIES ..... 23
PL 5.23	BOOK DRAWER - SENSORS..... 24
PL 5.24	BOOK DRAWER - BELTS & PULLEYS ..... 25
PL 5.25	FRAME - SWITCHES & LATCHES ..... 26
PL 5.26	FRAME - VACUUM & LOCKOUT..... 27
PL 5.27	ELECTRICAL COMPONENTS ..... 28
PL 5.28	COVERS..... 29
PL 5.29	MAIN ASSEMBLY (MODULES) ..... 30
PL 5.30	INSTALLATION KIT ITEMS..... 31
PL 5.31	CABLES..... 32

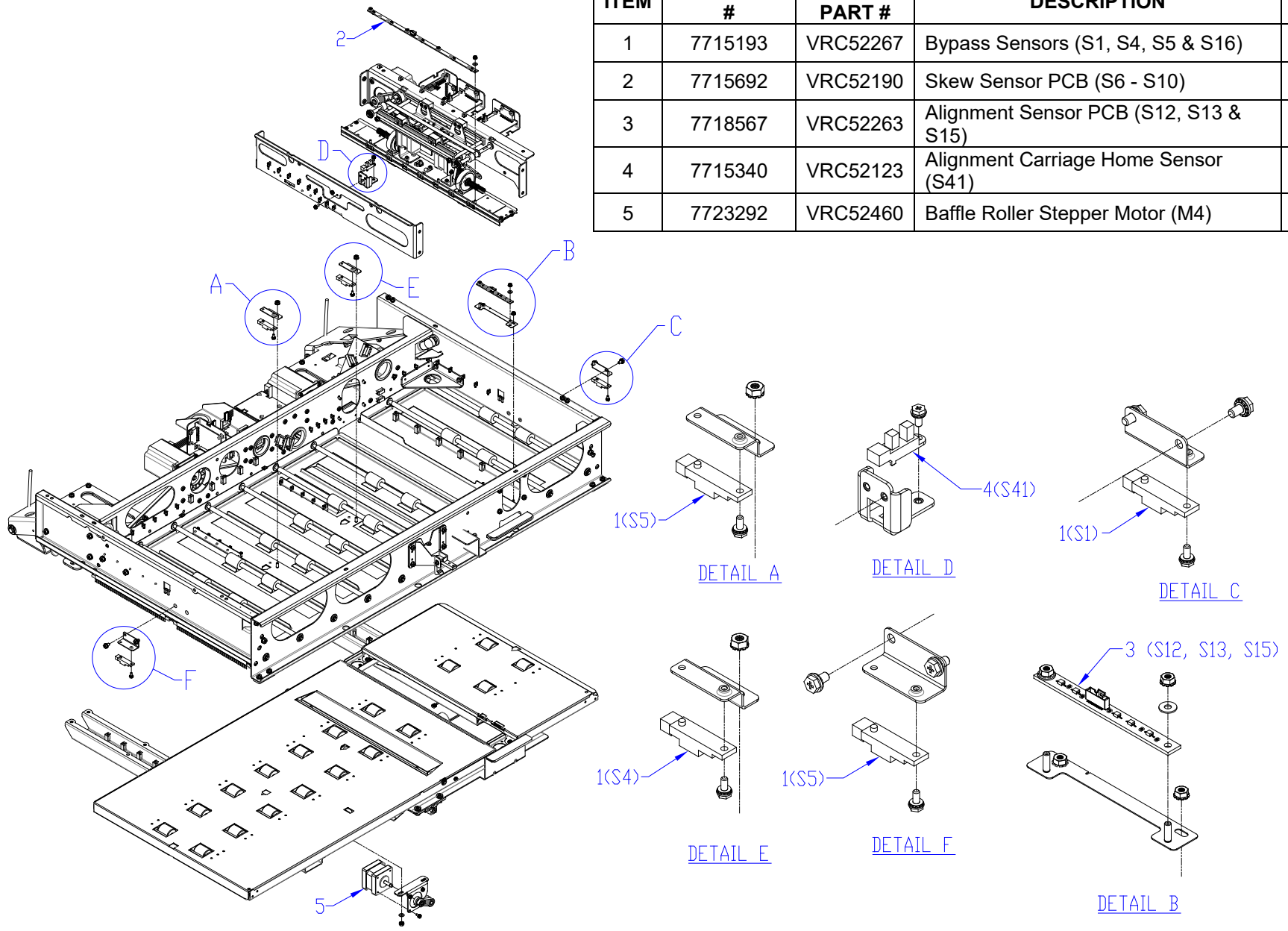
PL 5.1 LCD, INTERLOCKS, CASTERS

ITEM	GBC PART #	RICOH PART #	DESCRIPTION	QTY
1	7715527	VRC52170	LCD Display	1
2	7715744	VRC52198	LCD Membrane Switch	1
3	7706486	VRC51383	Door/Drawer Latches	3
4	7723948	VRC52391	Caster Sub-Assembly	4
5	7724859	VRC52454	Interlock Switch	1



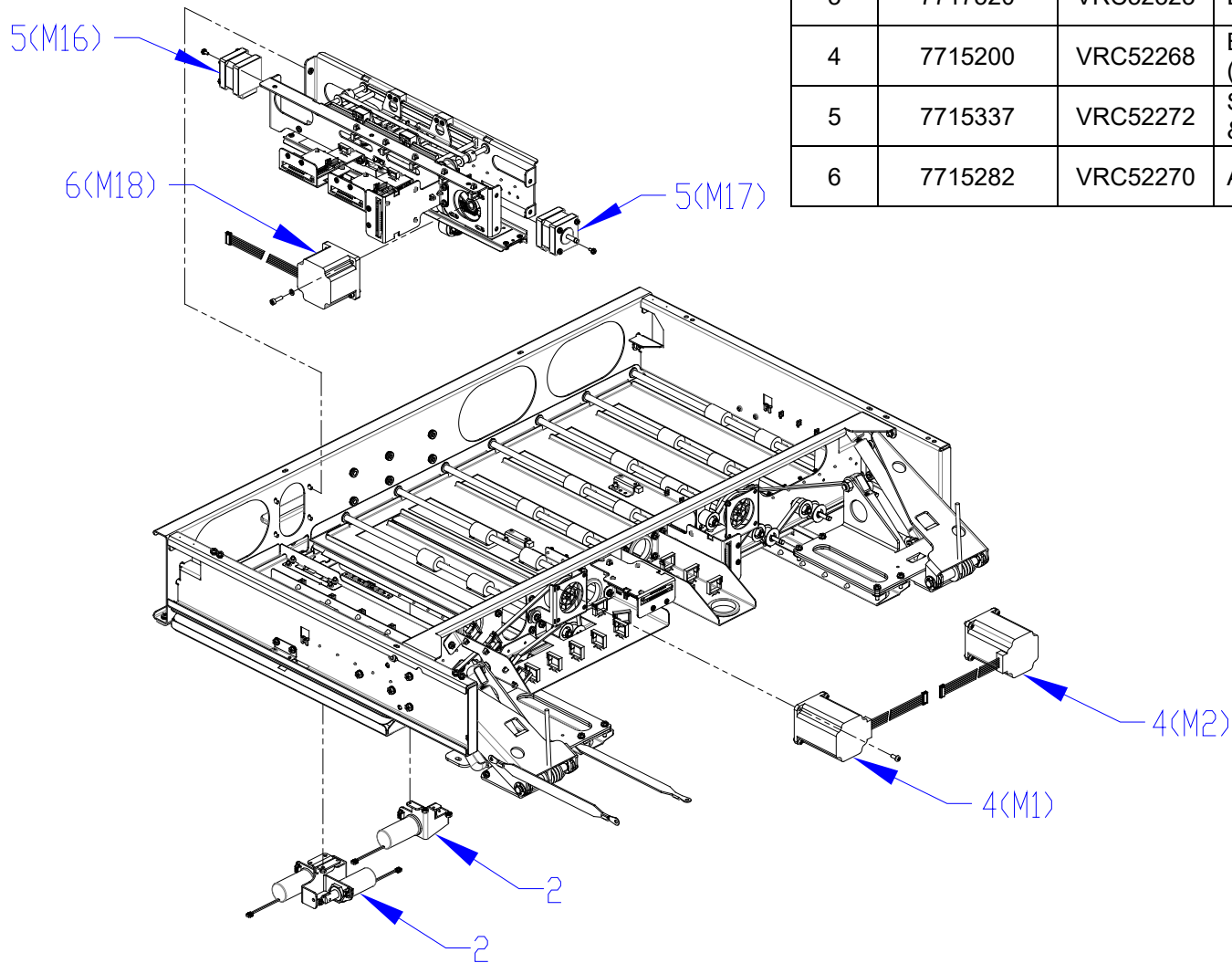
**PL 5.2 PAPER TRANSPORT - SENSORS**

ITEM	GBC PART #	RICOH PART #	DESCRIPTION	QTY
1	7715193	VRC52267	Bypass Sensors (S1, S4, S5 & S16)	4
2	7715692	VRC52190	Skew Sensor PCB (S6 - S10)	1
3	7718567	VRC52263	Alignment Sensor PCB (S12, S13 & S15)	1
4	7715340	VRC52123	Alignment Carriage Home Sensor (S41)	1
5	7723292	VRC52460	Baffle Roller Stepper Motor (M4)	1



PL 5.3 PAPER TRANSPORT - MOTORS & SOL

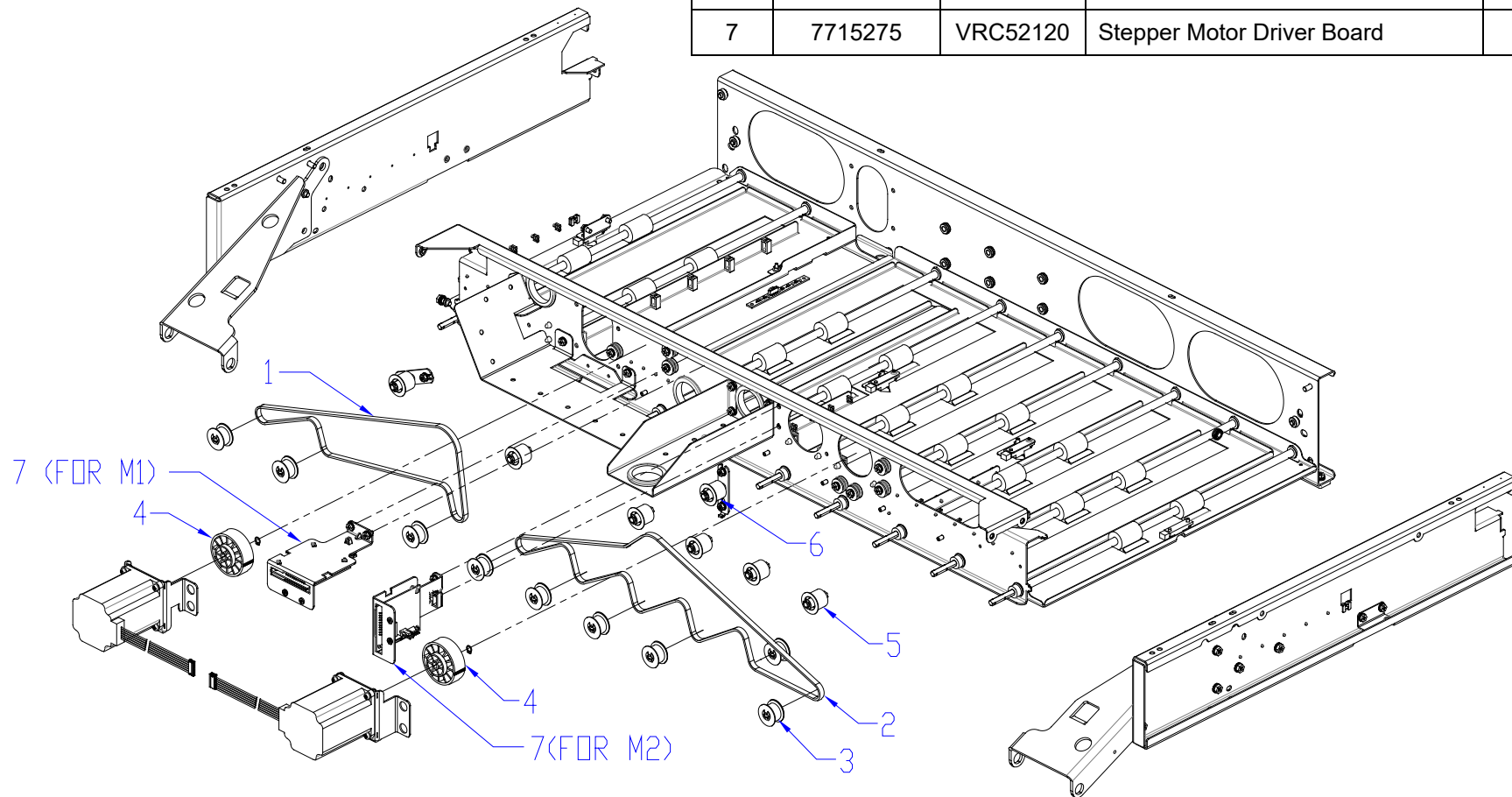
ITEM	GBC PART #	RICOH PART #	DESCRIPTION	QTY
1	7717704	VRC52330	Diverter Solenoid Assembly (L1)	1
2	7717517	VRC52322	Disengaging Roller #1 & 2 (L2 & L3)	2
3	7717520	VRC52323	Disengaging Roller #3 (L4)	1
4	7715200	VRC52268	Bypass Entry and Exit Motors (M1 & M2)	2
5	7715337	VRC52272	Steering Motor #1 & #2 (M16 & M17)	2
6	7715282	VRC52270	Alignment Motor (M18)	1



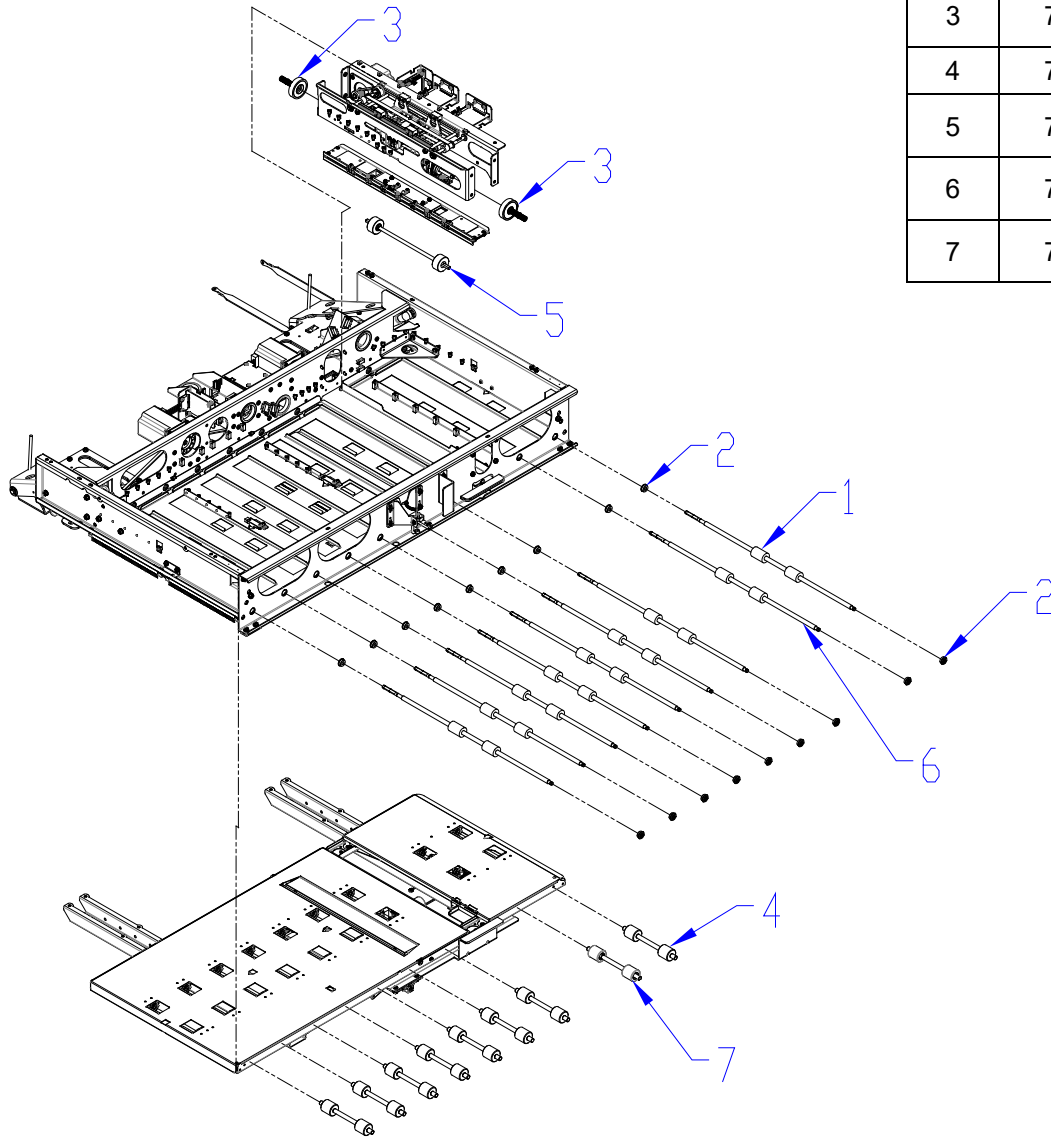


**PL 5.4 PAPER TRANSPORT - REAR SECTION**

ITEM	GBC PART #	RICOH PART #	DESCRIPTION	QTY
1	7717561	VRC52324	Bypass Timing Belt #1	1
2	7717562	VRC52325	Bypass Timing Belt #2	1
3	7715204	VRC52100	Drive Roller Timing Pulley	10
4	7715201	VRC52269	Stepper Motor Pulley	2
5	7715383	VRC52134	Drive Roller Idler Pulley	7
6	7715245	VRC52116	Timing Belt Tensioner	2
7	7715275	VRC52120	Stepper Motor Driver Board	2



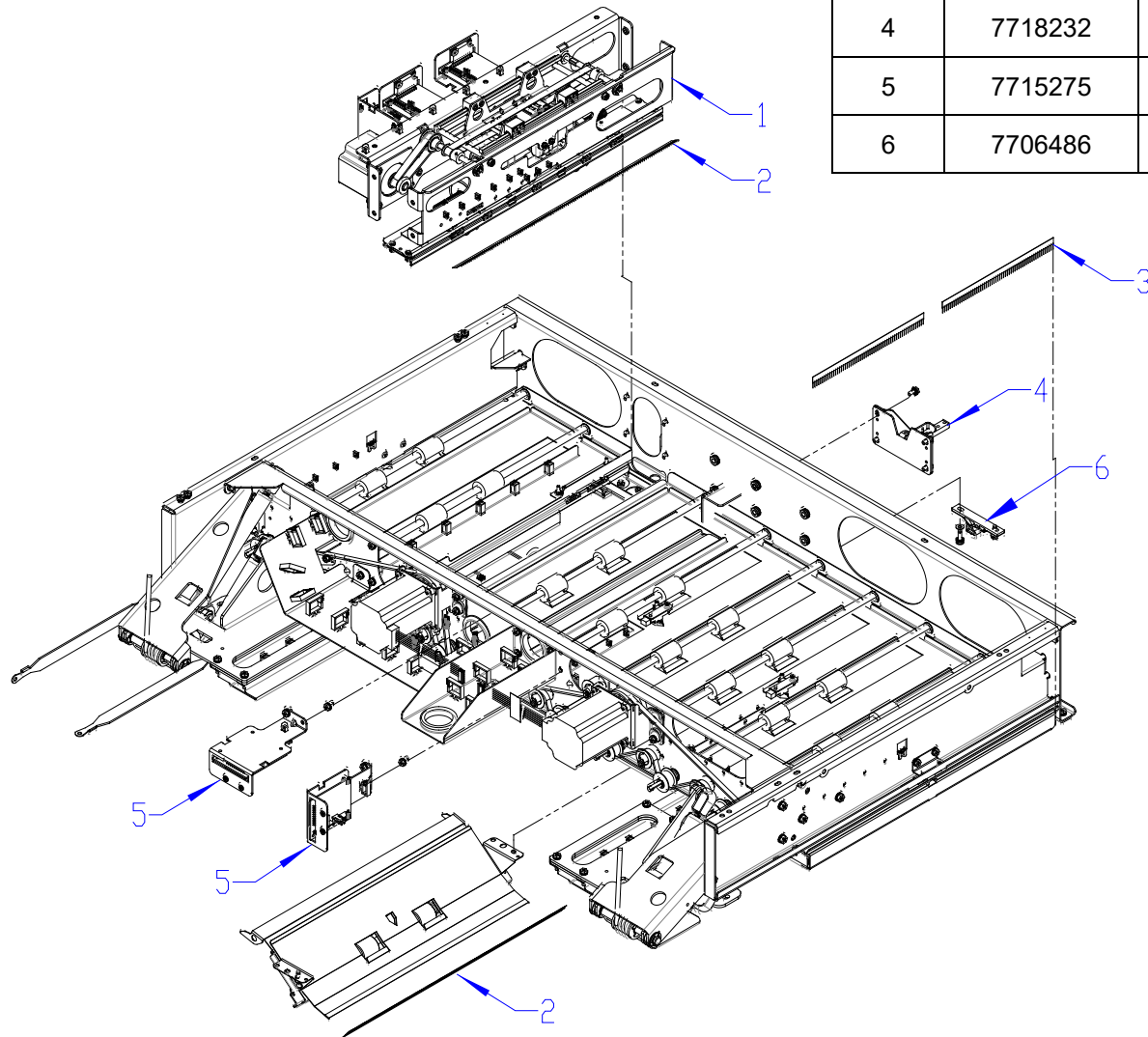
**PL 5.5 PAPER TRANSPORT - ROLLERS**



ITEM	GBC PART #	RICOH PART #	DESCRIPTION	QTY
1	7723295	VRC52461	Drive Roller Assembly	8
2	1821116	VRC52001	Roller Bearing	18
3	7723432	VRC52395	Steering Drive Roller Assembly	2
4	7718381	VRC52358	Idler Roller Assembly	8
5	7718103	VRC52345	Steering Idler Roller Assembly	1
6	7717802	VRC52334	Delrin Drive Roller Assembly	1
7	7718560	VRC52361	Independent Idler Roller Assembly	1

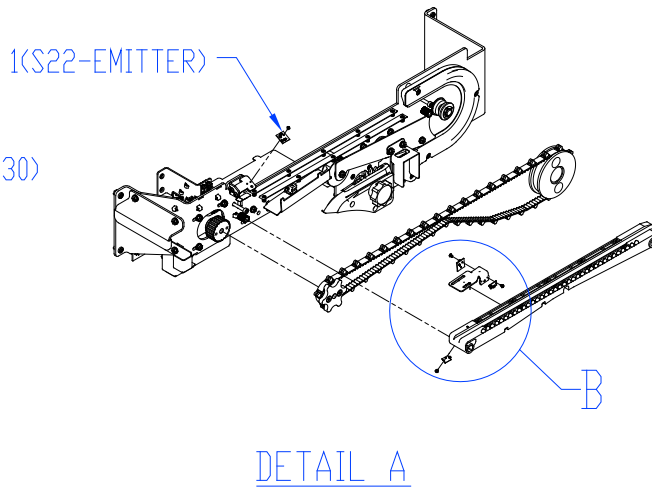
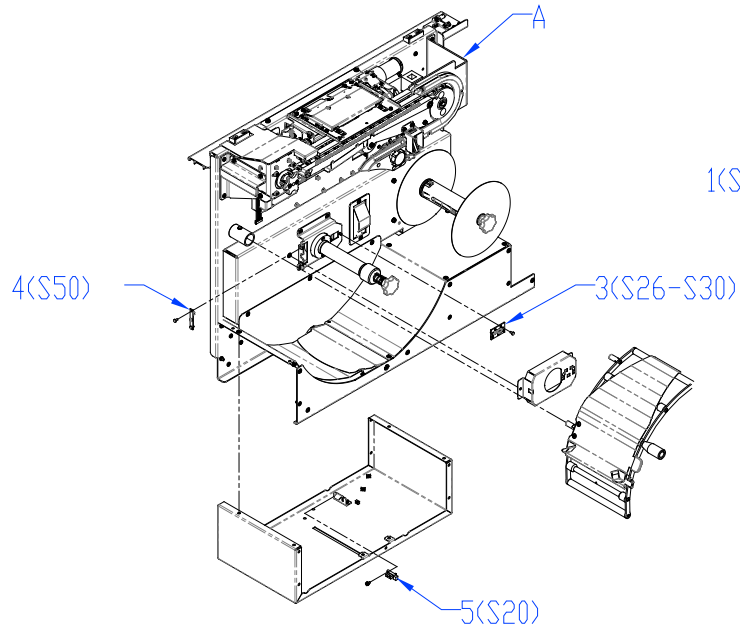
PL 5.6 PAPER TRANSPORT - OTHER PARTS

ITEM	GBC PART #	RICOH PART #	DESCRIPTION	QTY
1	7717393	VRC52314	Steering Module Assembly	1
2	7718593	VRC52362	Anti-Static Brush Long	2
3	7718594	VRC52363	Anti-Static Brush Short	2
4	7718232	VRC52357	Latch Assembly	1
5	7715275	VRC52120	Motor Driver Bracket Assembly	3
6	7706486	VRC51383	Push to Close Latch	1

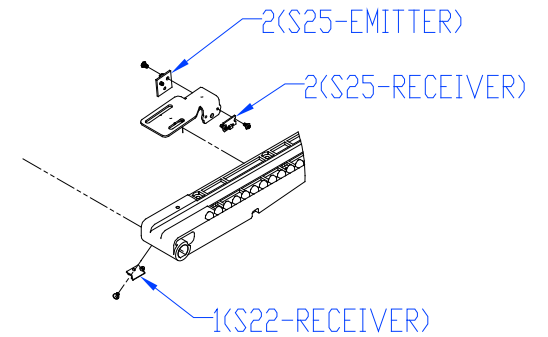


**PL 5.7 ELEMENT FEEDER - SENSORS**

ITEM	GBC PART #	RICOH PART #	DESCRIPTION	QTY
1*	7723253 & 7716947	VRC52375 VRC52301	Element Detect at Pyramid (S22)	1
2	7723253 & 7716947	VRC52375 VRC52301	Belt Home Sensor Assembly (S25)	1
3	7717206	VRC52310	Spool Detect Sensor PCB (S26-S30)	1
4	7717479	VRC52321	Spool Near Empty Sensor PCB (S50)	1
5	7715340	VRC52123	Element Slack Sensor (S20)	1



DETAIL A

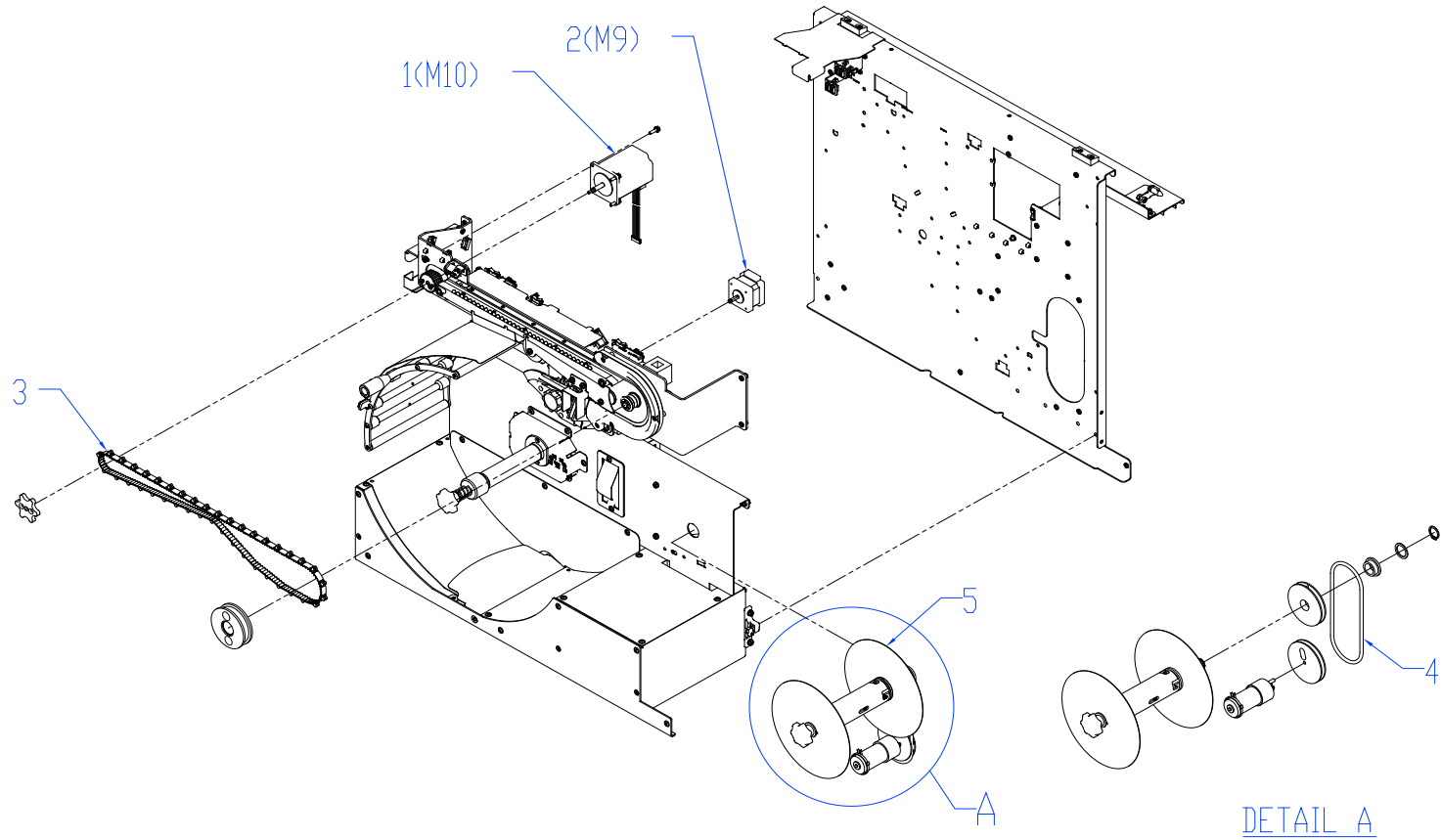


DETAIL B

\*For units with SN prior to EK30001L  
 Replace 7716961 (PL 5.9) and 7716577 (PL 5.9) when 7723253 (S22) is replaced.  
 Replace 7716961 (PL 5.9), 7716577 (PL 5.9) and 7723253 (PL 5.7) when 7716947 (S22) is replaced.

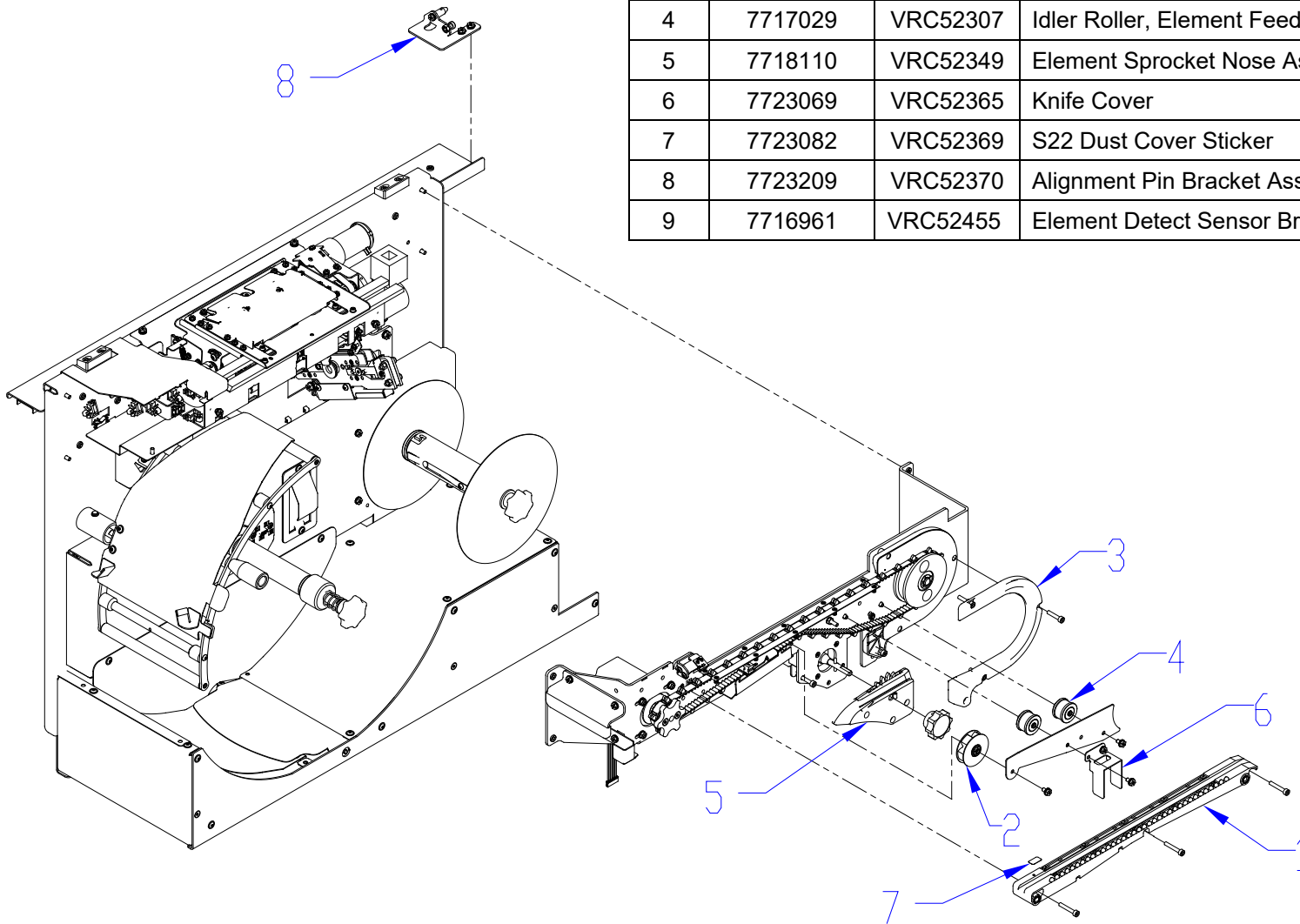
**PL 5.8 ELEMENT FEEDER - MOTORS & BELTS**

ITEM	GBC PART #	RICOH PART #	DESCRIPTION	QTY
1	7715200	VRC52268	Element Feed Belt Motor (M10)	1
2	7715337	VRC52272	Element Feed Sprocket Motor (M9)	1
3	7716993	VRC52304	Element Feeder Belt	1
4	7717025	VRC52306	Spool Rewind Belt	1
5	7718107	VRC52346	Spool Rewind Drive Assembly (M8)	1



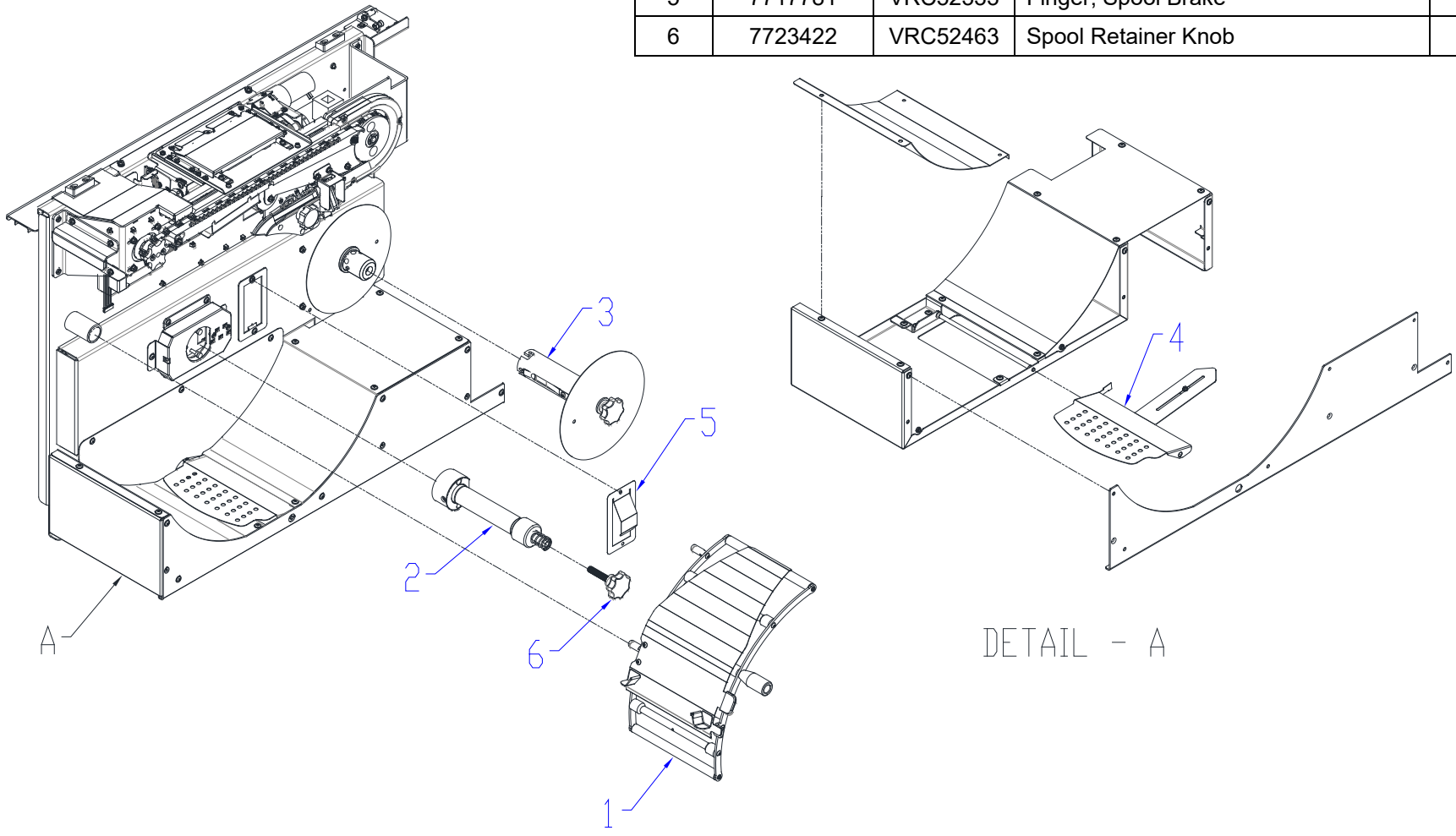
**PL 5.9 ELEMENT FEEDER - TOP SECTION**

ITEM	GBC PART #	RICOH PART #	DESCRIPTION	QTY
1	7716577	VRC52275	Element Feed Track Assembly	1
2	7718109	VRC52348	Element Feeder Belt Idler	1
3	7718108	VRC52347	Element Engagement Guide Assembly	1
4	7717029	VRC52307	Idler Roller, Element Feeder Belt	2
5	7718110	VRC52349	Element Sprocket Nose Assembly	1
6	7723069	VRC52365	Knife Cover </td <td>1</td>	1
7	7723082	VRC52369	S22 Dust Cover Sticker	1
8	7723209	VRC52370	Alignment Pin Bracket Assembly	1
9	7716961	VRC52455	Element Detect Sensor Bracket (S22)	1



**PL 5.10 ELEMENT FEEDER - BOTTOM SECTION**

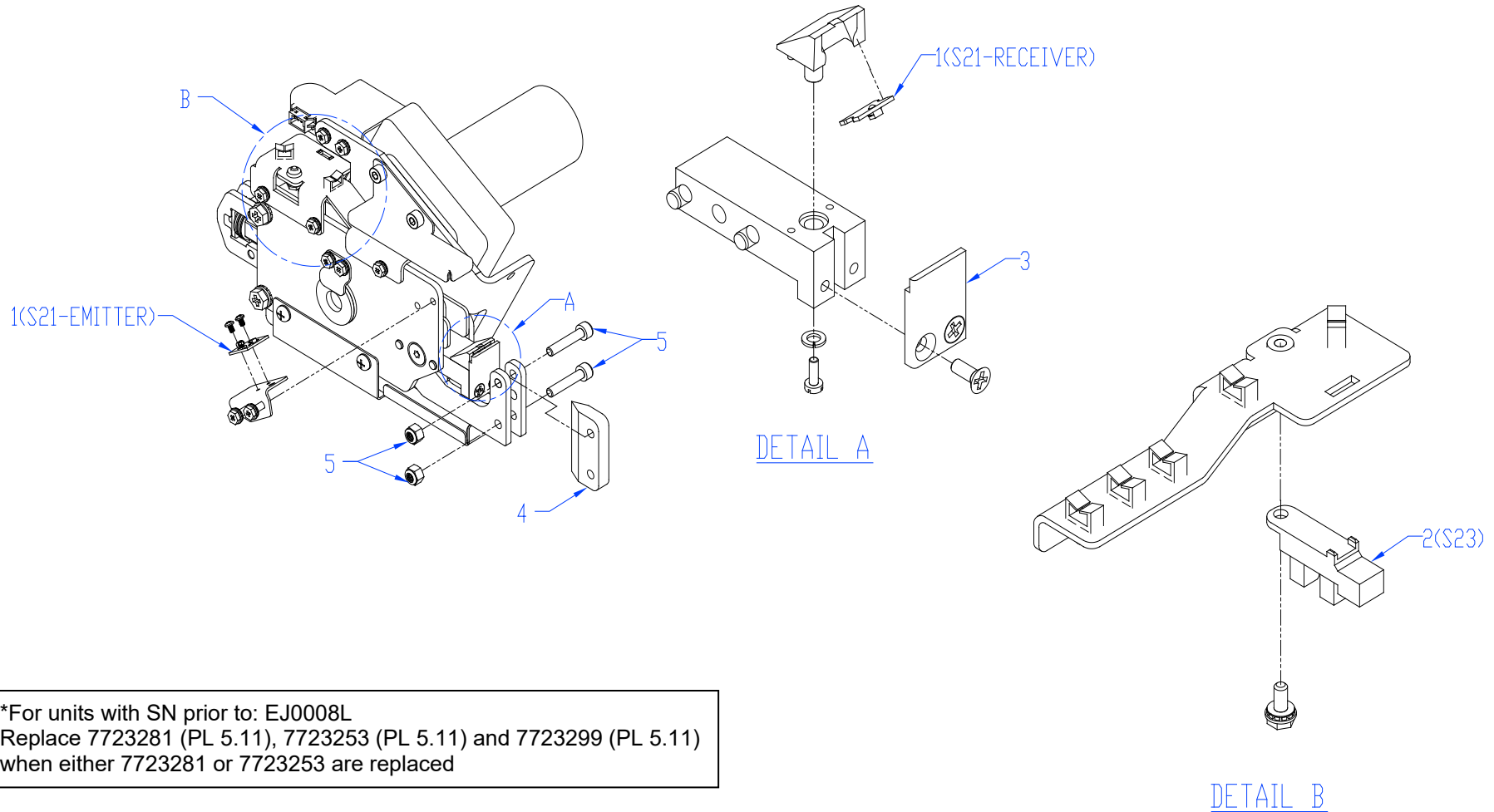
ITEM	GBC PART #	RICOH PART #	DESCRIPTION	QTY
1	7717017	VRC52305	Element Shield Assembly	1
2	7716948	VRC52302	Spool Spindle Assembly	1
3	7717065	VRC52308	Rewind Spindle Assembly	1
4	7723298	VRC52341	Element Slack Detect Lever Assembly	1
5	7717781	VRC52333	Finger, Spool Brake	1
6	7723422	VRC52463	Spool Retainer Knob	1





**PL 5.11 ELEMENT FEEDER - KNIFE MODULE**

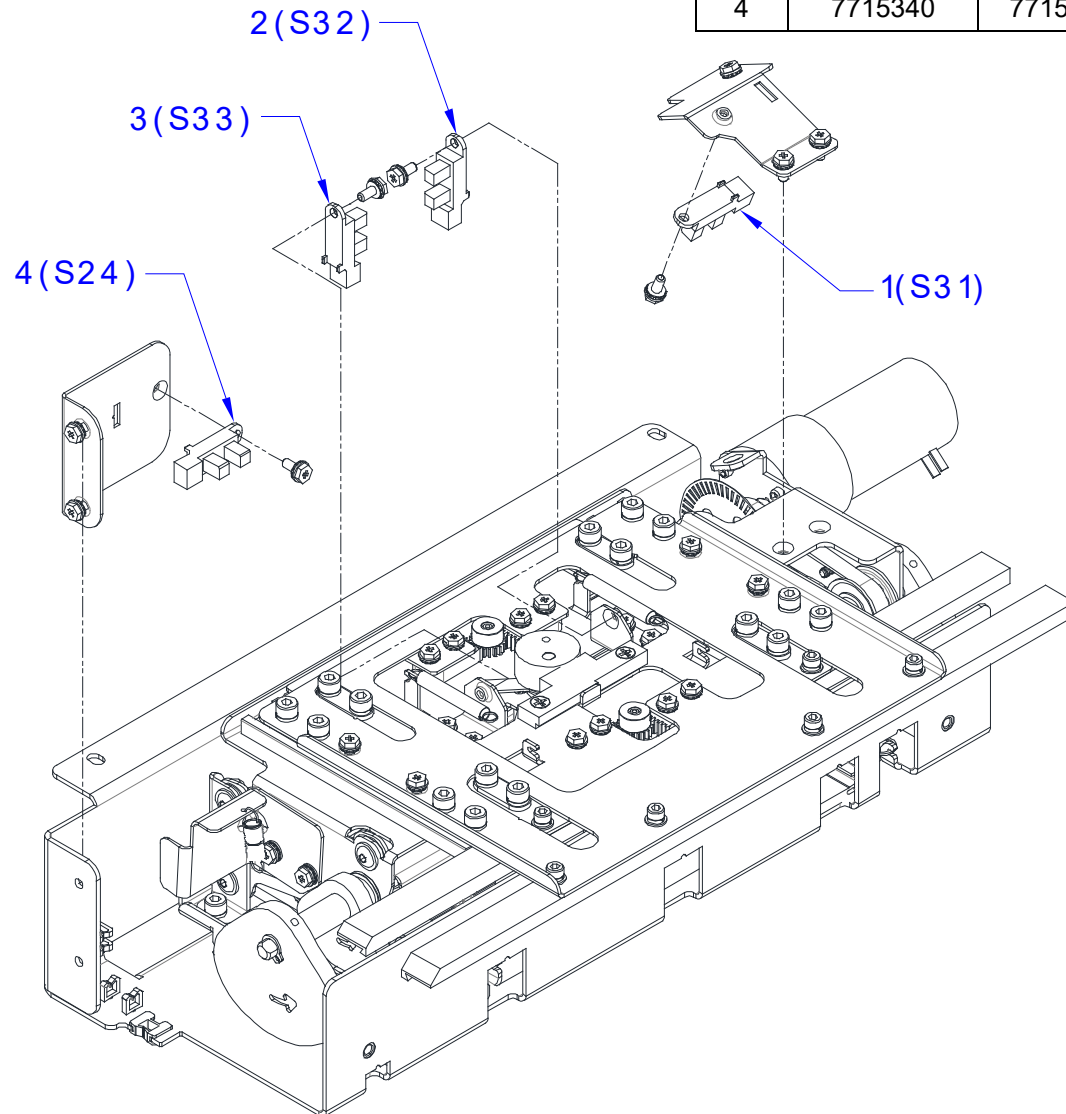
ITEM	GBC PART #	RICOH PART #	DESCRIPTION	QTY
1*	7723281 7723253	VRC52335 VRC52375	Element Detect at Knife Sensor (S21)	1
2	7715340	VRC52123	Knife Home Sensor (S23)	1
3	-		Knife Anvil with Hardware	1
4	-		Knife Blade	1
5	-		Kit, Knife Blade Mounting Hardware	1
6	7723299	VRC52462	Knife, Anvil, and Hardware (items 3-5)	1



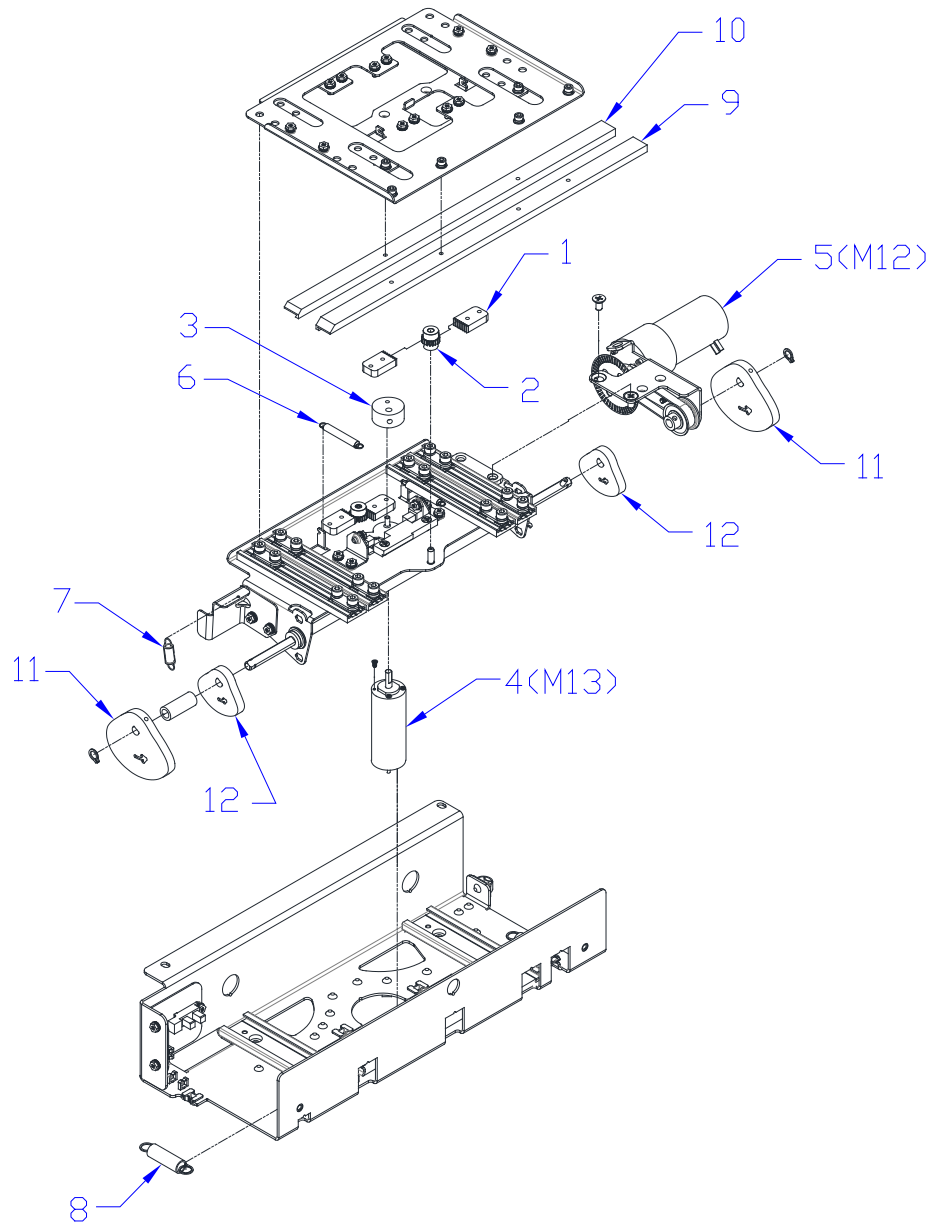
\*For units with SN prior to: EJ0008L  
 Replace 7723281 (PL 5.11), 7723253 (PL 5.11) and 7723299 (PL 5.11)  
 when either 7723281 or 7723253 are replaced

**PL 5.12 ELEMENT TRANSFER - SENSORS**

ITEM	GBC PART #	RICOH PART #	DESCRIPTION	QTY
1	7715340	7715340	Expanding T Encoder Sensor (S31)	1
2	7715340	7715340	Expanding T Home Sensor (S32)	1
3	7715340	7715340	Expanding T Out Sensor (S33)	1
4	7715340	7715340	Pushover Home Sensor (S24)	1



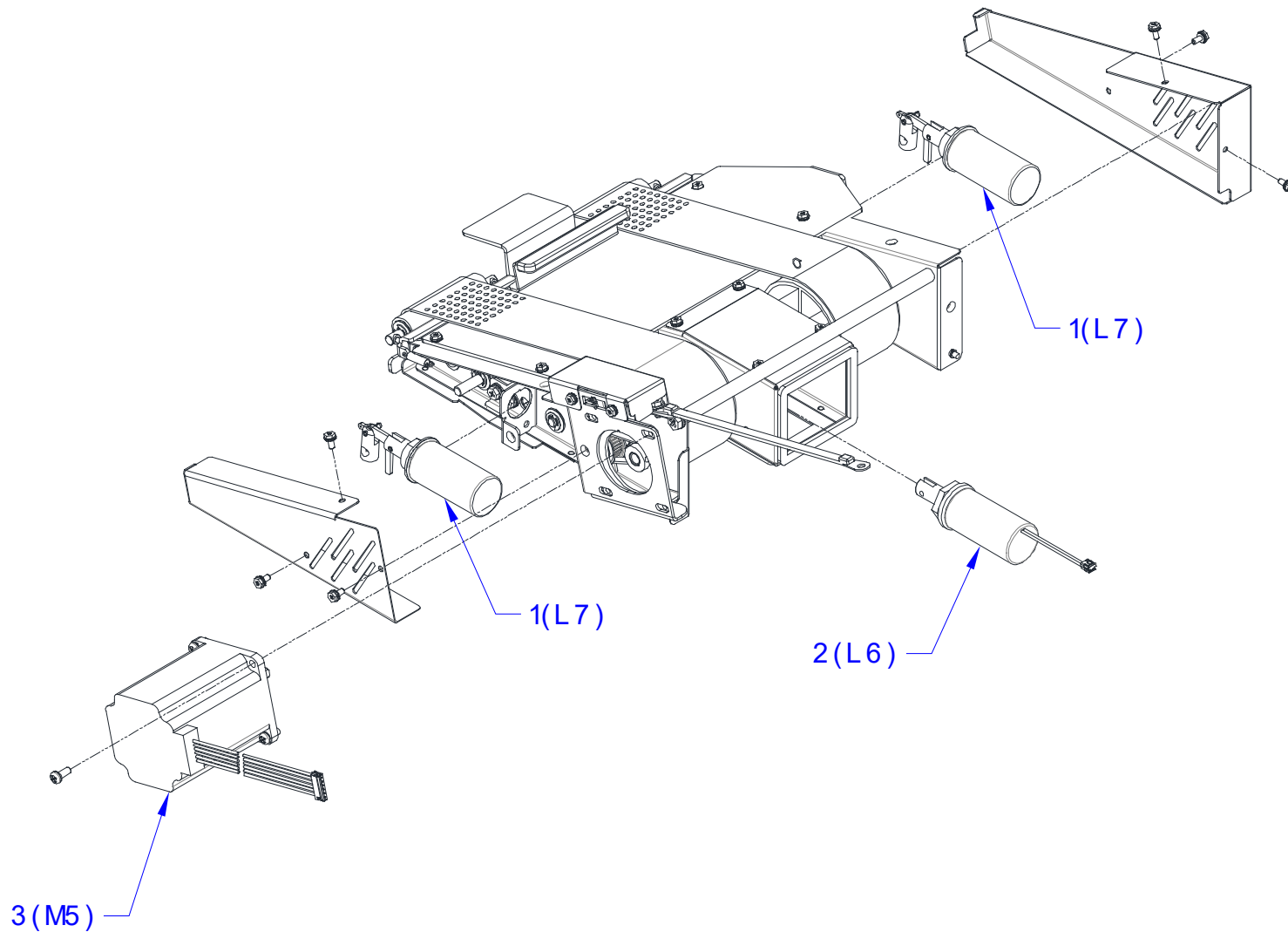
**PL 5.13 ELEMENT TRANSFER - COMPONENTS**



ITEM	GBC PART #	RICOH PART #	DESCRIPTION	QTY
1	7716901	VRC52298	Expanding T Rack	4
2	7716913	VRC52299	Expanding T Gear	2
3	7716894	VRC52295	Expanding T CAM	1
4	7723853	VRC52390	Expanding T Motor (M13)	1
5	7717682	VRC52328	Pushover Motor Assembly (M12)	1
6	7717415	VRC52317	Expanding T Spring	2
7	7718131	VRC52353	Exp T Motor Counterbalance Spring	1
8	7717411	VRC52316	Element Pushover Spring	2
9	7723816	VRC52384	Expanding T Leading	1
10	7723817	VRC52385	Expanding T Trailing	1
11	7716897	VRC52296	Expanding T, Pushover CAM, Horizontal	2
12	7716898	VRC52297	Expanding T, Pushover CAM, Vertical	2

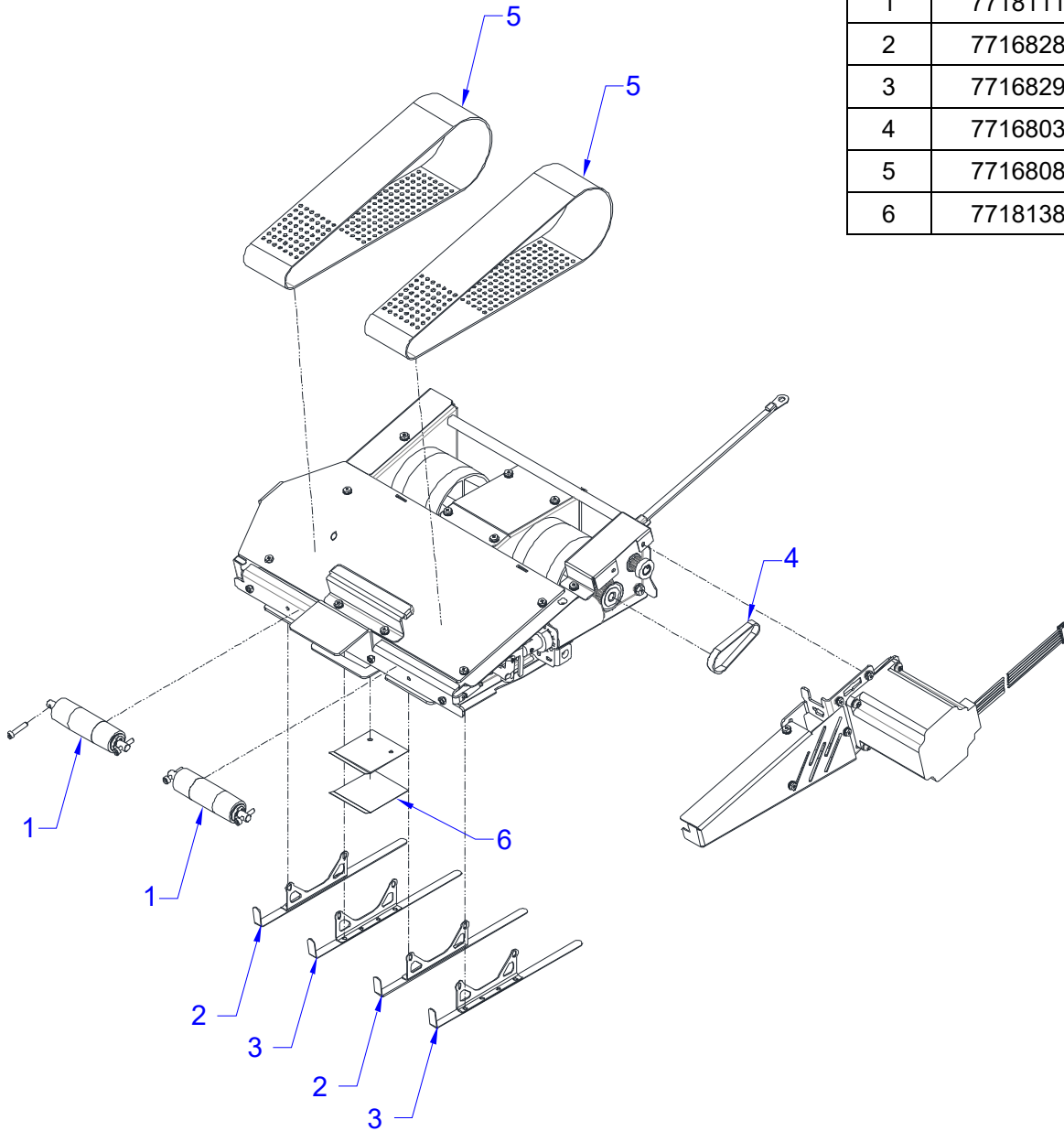
PL 5.14 VACUUM STACKER - MOTORS & SOL

ITEM	GBC PART #	RICOH PART #	DESCRIPTION	QTY
1	7718112	VRC52351	Kick Down Solenoid Assembly (L7)	2
2	7715289	VRC52271	Drag Finger Solenoid (L6)	1
3	7715200	VRC52268	Stacker Drive Motor (M5)	1



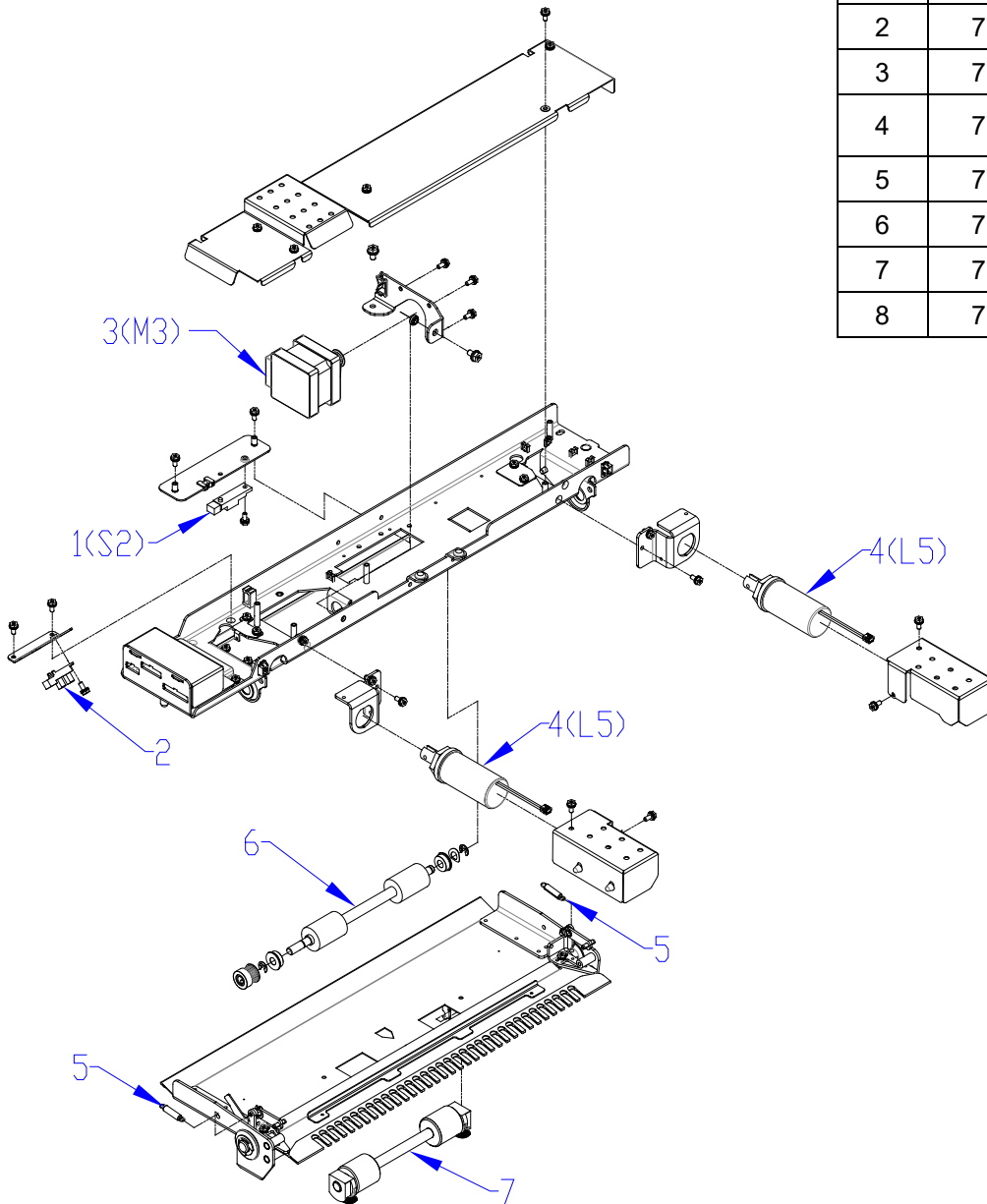
**PL 5.15 VACUUM STACKER - MECHANICAL**

ITEM	GBC PART #	RICOH PART #	DESCRIPTION	QTY
1	7718111	VRC52350	Idler Pulley Sub Assembly	2
2	7716828	VRC52287	Kick Down	2
3	7716829	VRC52288	Kick Down, Reverse	2
4	7716803	VRC52284	Stacker Drive Belt	1
5	7716808	VRC52286	Vacuum Stacker Belt	2
6	7718138	VRC52354	Drag Finger Adhesive Grip	1



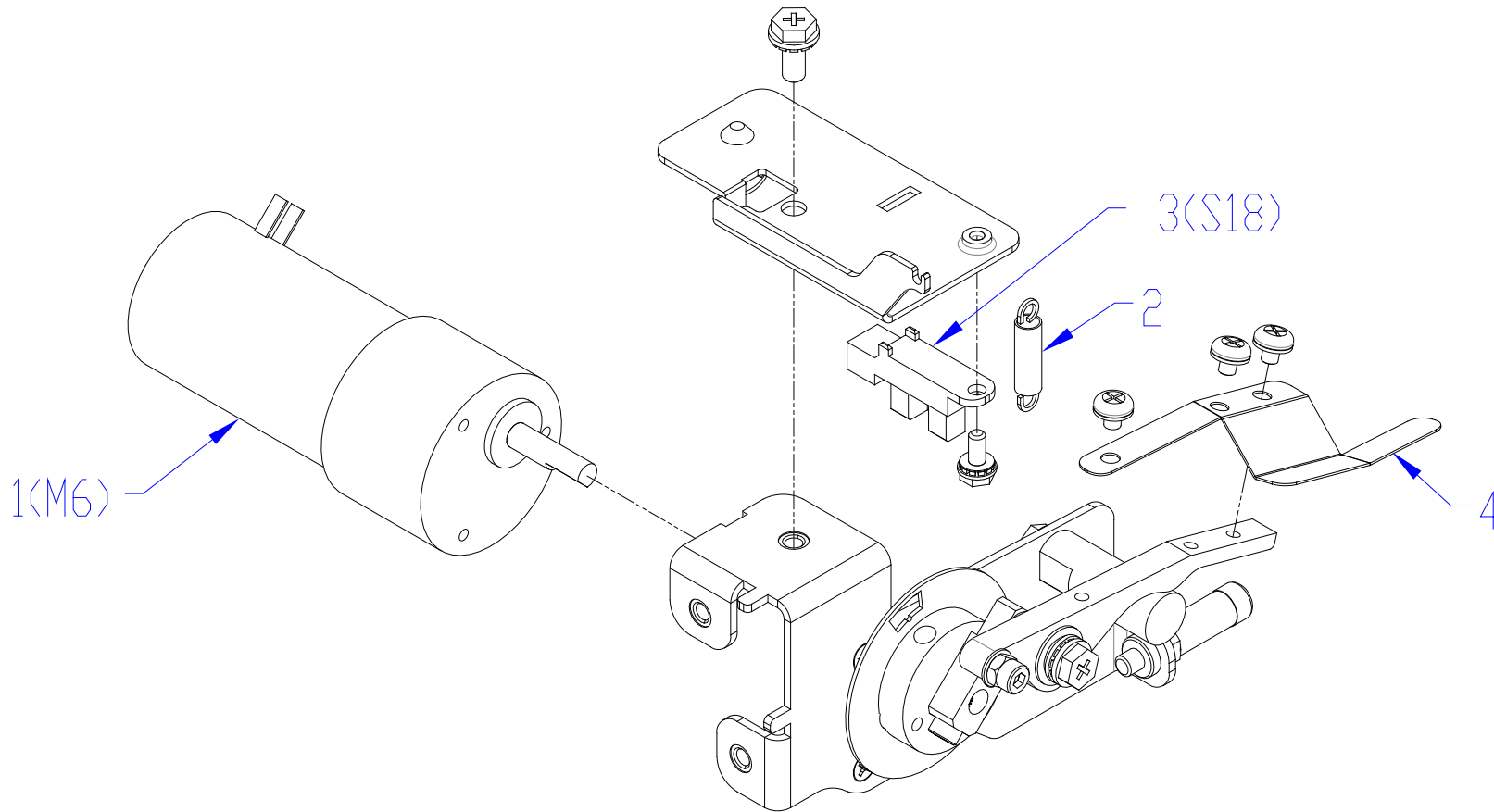
**PL 5.16 DEFLECTOR MODULE**

ITEM	GBC PART #	RICOH PART #	DESCRIPTION	QTY
1	7715193	VRC52267	Bind Kick-Down Sensor (S2)	1
2	7715193	VRC52267	Bind Deflect Sensor (S3)	1
3	7723292	VRC52460	Bind Path Motor (M3)	1
4	7718113	VRC52352	Deflector Solenoid Linkage (L5)	2
5	7717429	VRC52319	Deflector Spring	2
6	7716548	VRC52273	Drive Roller Assembly	1
7	7718381	VRC52358	Idler Roller Assembly	1
8	7715340	VRC52123	Deflect Position Sensor (S17)	1



PL 5.17 TAPPER MODULE - FRONT

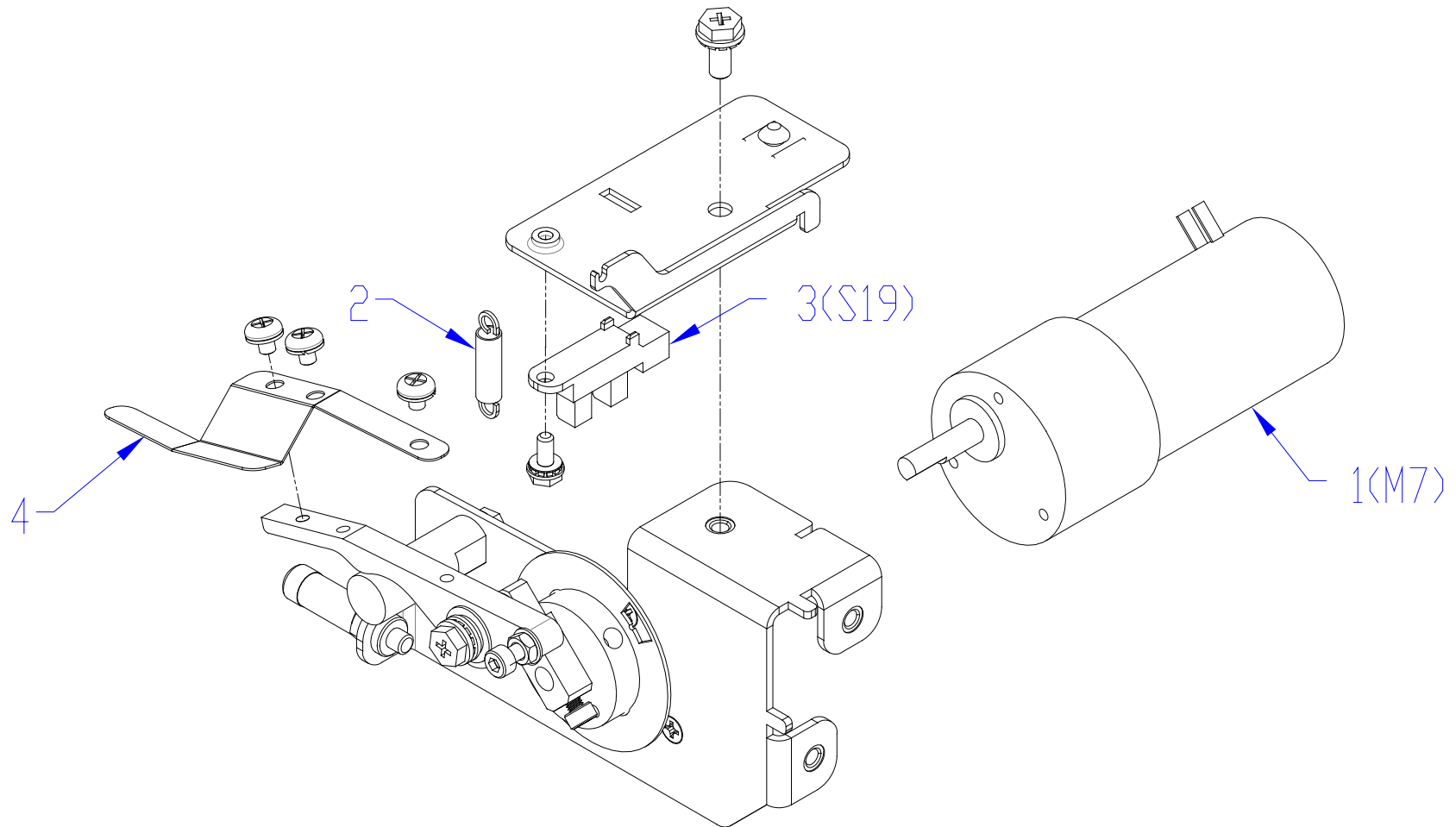
ITEM	GBC PART #	RICOH PART #	DESCRIPTION	QTY
1	7723850	VRC52387	Tapper Motor (M6)	1
2	7717404	VRC52315	Tapper Spring	1
3	7715340	VRC52123	Tapper Sensor (S18)	1
4	7716574	VRC52274	Tapper Finger	1



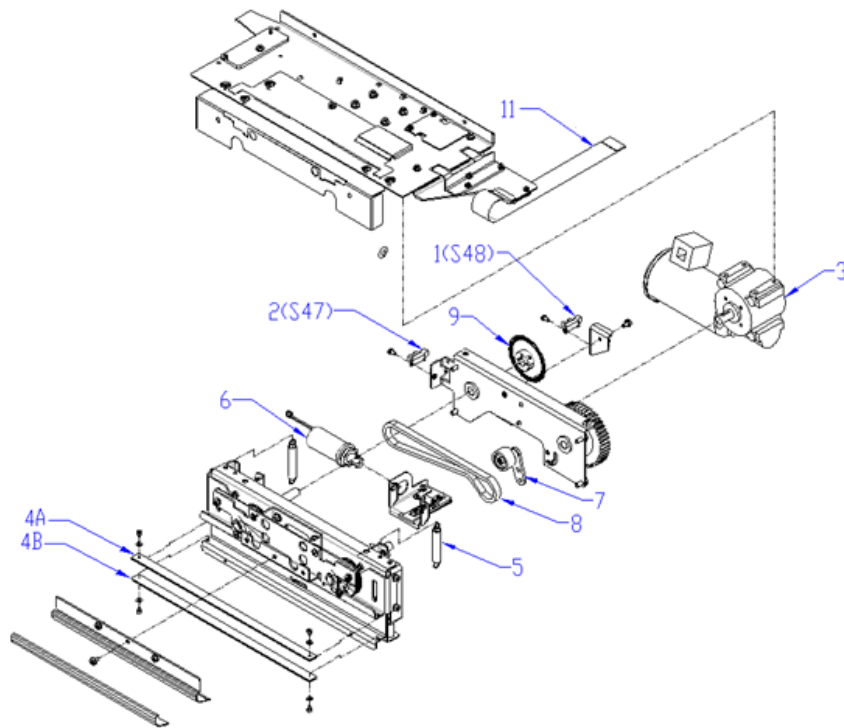


PL 5.18 TAPPER MODULE - REAR

ITEM	GBC PART #	RICOH PART #	DESCRIPTION	QTY
1	7723850	VRC52387	Tapper Motor (M7)	1
2	7717404	VRC52315	Tapper Spring	1
3	7715340	VRC52123	Tapper Sensor (S19)	1
4	7716860	VRC52289	Finger, Sheet Tapper, Rear	1



**PL 5.19 CLOSER MODULE**

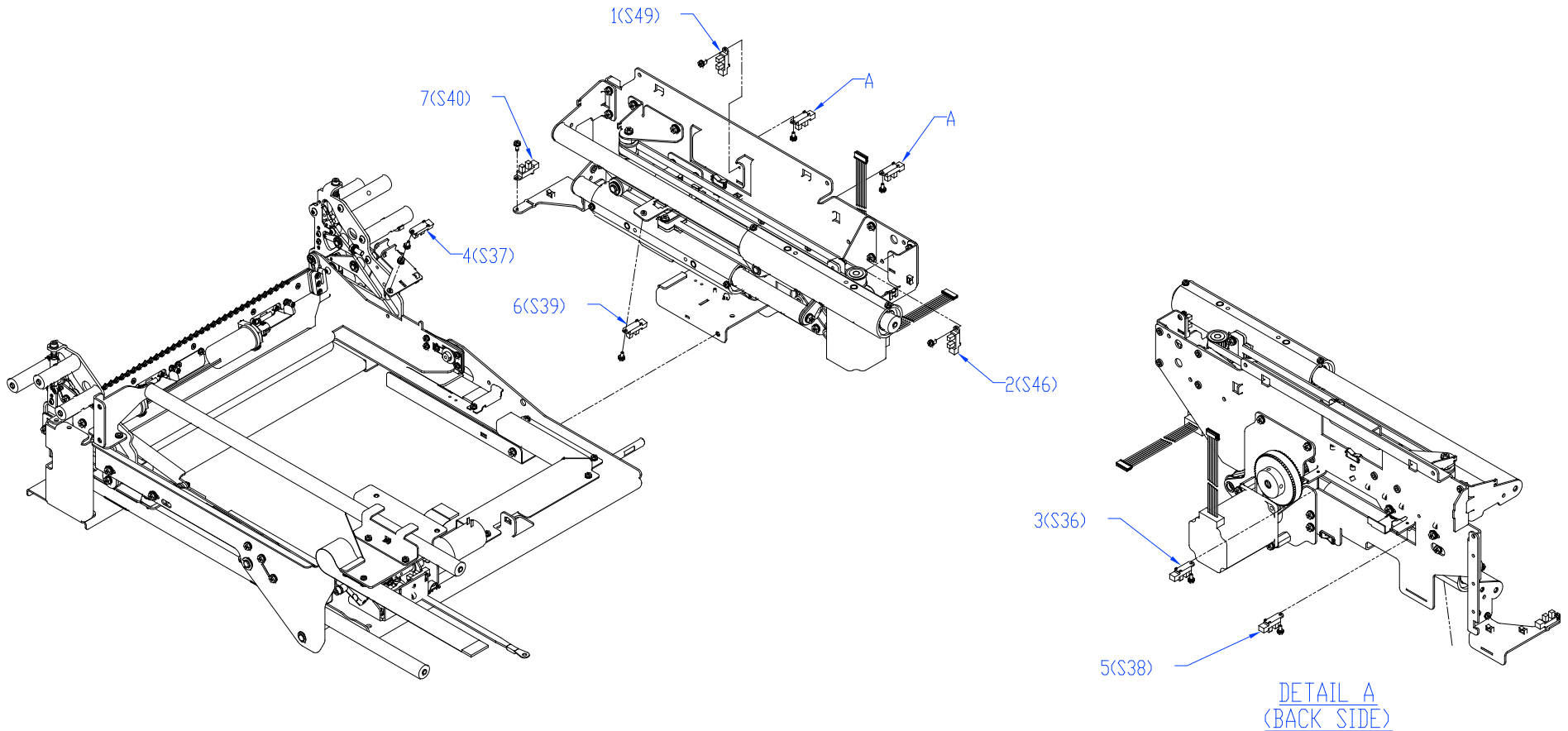


ITEM	GBC PART #	RICOH PART #	DESCRIPTION	QTY
1	7715340	VRC52123	Closer Encoder Sensor (S48)	1
2	7715340	VRC52123	Closer Full Open Sensor (S47)	1
3	7723852	VRC52389	Closer Motor (M20)	1
4A*	7717658	VRC52327	Closer Jaw, Upper	1
4B	7723288	VRC52458	Closer Jaw, Lower	1
5	7716760	VRC52281	Closer Jaw Spring	2
6	7715289	VRC52271	Solenoid, Book Eject	1
7	7723074	VRC52368	Tensioner Assembly	1
8	7723071	VRC52367	Roller Chain	1
9	7716781	VRC52283	Disk Encoder	1
10	7723070	VRC52366	Sprocket 15T	2
11	Z7723211	VRC52511	Closer front assembly with cable.	1

\*For units with SN prior to GB30009L:  
Use a second 7717658 in place of 7723288 unless the machine has been upgraded to run F size elements.

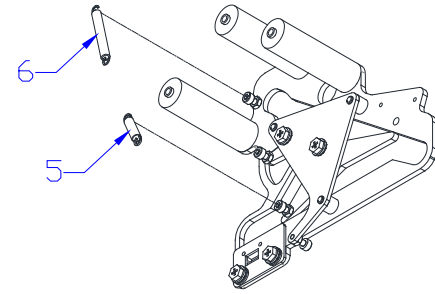
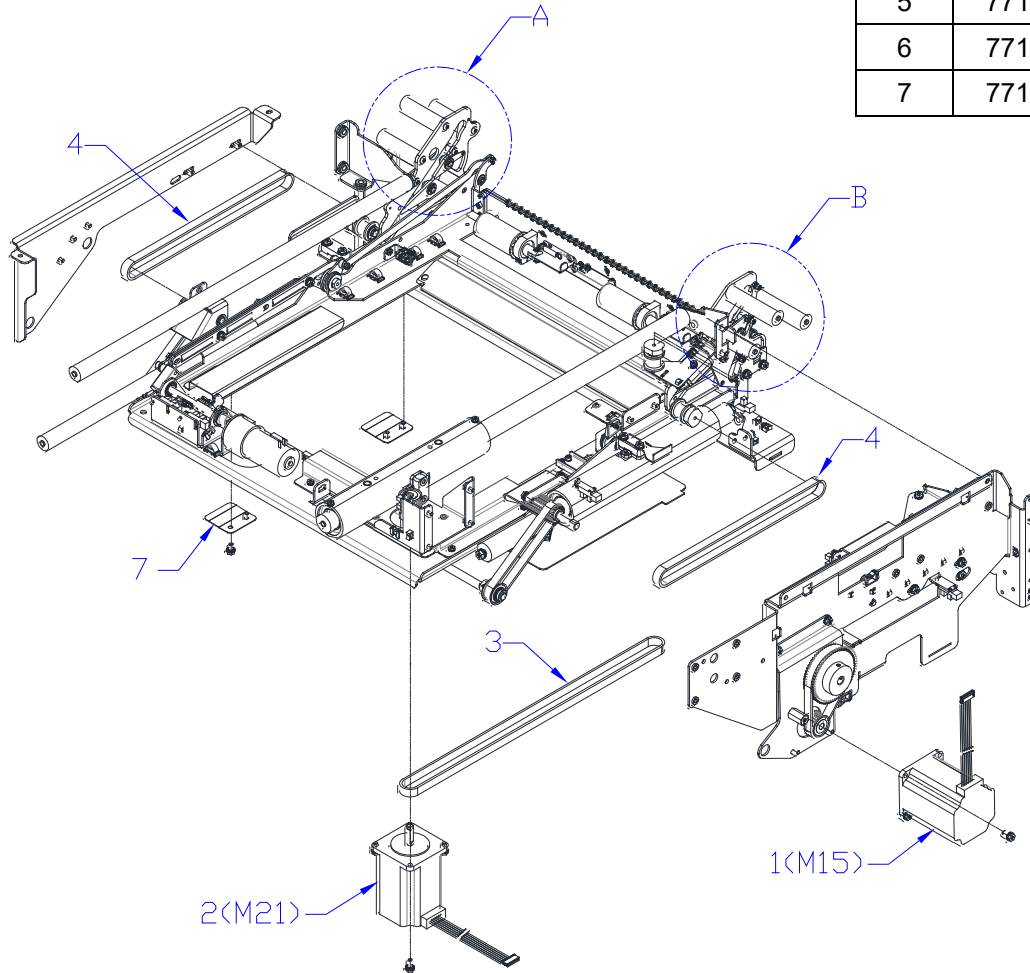
**PL 5.20 HOLDER - SENSORS**

ITEM	GBC PART #	RICOH PART #	DESCRIPTION	QTY
1	7715340	VRC52123	Closer Staged Sensor (S49)	1
2	7715340	VRC52123	Closer Home Sensor (S46)	1
3	7715340	VRC52123	Holder Position Closer Sensor (S36)	1
4	7715340	VRC52123	Holder Position Stack Sensor (S37)	1
5	7715340	VRC52123	Holder Position Element Sensor (S38)	1
6	7715340	VRC52123	Holder at Reverse Gate Sensor (S39)	1
7	7715340	VRC52123	Holder Near Element Feeder Sensor (S40)	1

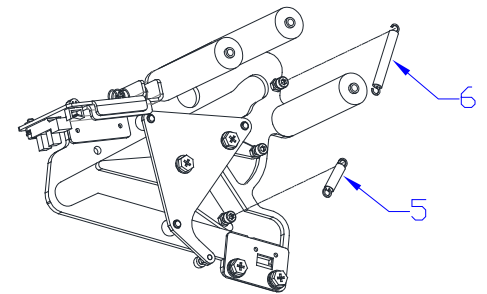


**PL 5.21 HOLDER - MOTORS, BELTS & SPRINGS**

ITEM	GBC PART #	RICOH PART #	DESCRIPTION	QTY
1	7715200	VRC52268	Holder Linear Motor (M15)	1
2	7715200	VRC52268	Closer Linear Motor (M21)	1
3	7718423	VRC52359	Closer Linear Drive Belt	1
4	7718427	VRC52360	Holder Linear Drive Belt	1
5	7717404	VRC52315	Holder Gates Spring Lower	2
6	7717685	VRC52329	Holder Gates Spring Upper	2
7	7718183	VRC52355	Linear Spring Plate Assembly	2



DETAIL A



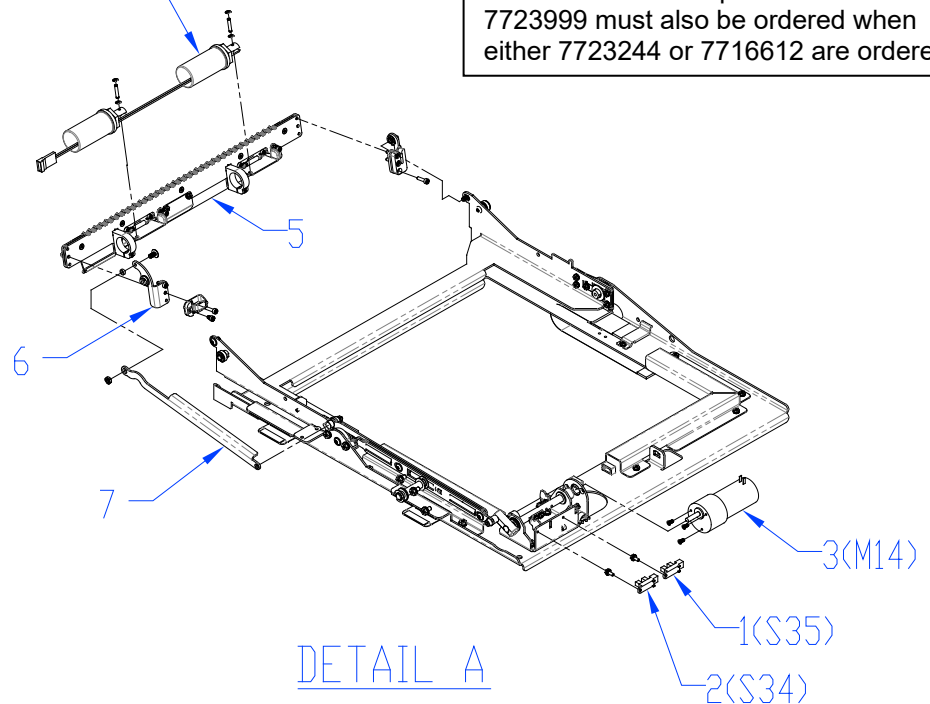
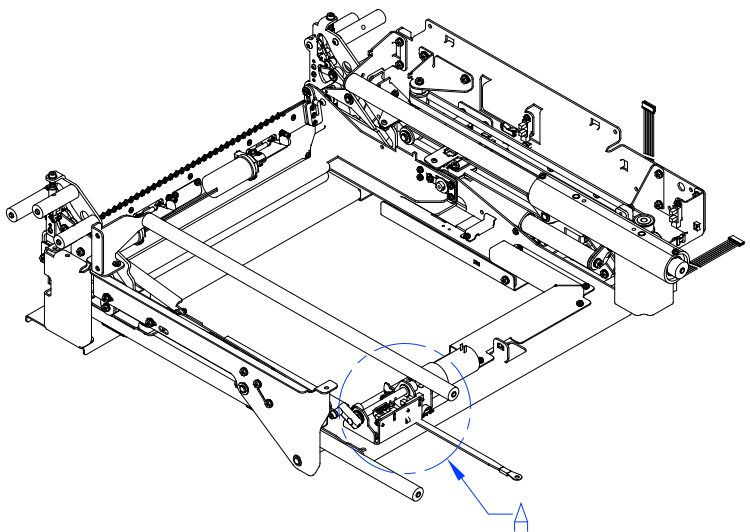
DETAIL B

**PL 5.22 HOLDER - LOCK & ROTATE ASSEMBLIES**

ITEM	GBC PART #	RICOH PART #	DESCRIPTION	QTY
1	7715340	VRC52123	Holder Rotate Horizontal Sensor (S35)	1
2	7715340	VRC52123	Holder Rotate Vertical Sensor (S34)	1
3	7718056	VRC52343	Holder Rotate Motor (M14)	1
4	7723244*	VRC52374	Holder Solenoid Assembly, Ribbon Cable (L8)	1
5	7716612*	VRC52278	Holder Lock Sub-Assembly (Contains 4&6)	1
6	7716674	VRC52279	Hinge, Front, Element Holder	1
7	7716675	VRC52280	Link, Holder Rotate	1
8	7723239	VRC52372	Flat Mylar Cable, Holder	1
9	7723240	VRC52373	Cable Assembly, Holder, Ribbon Adapter	1
10	7723999*	VRC52393	Kit, Holder Ribbon Cable	-

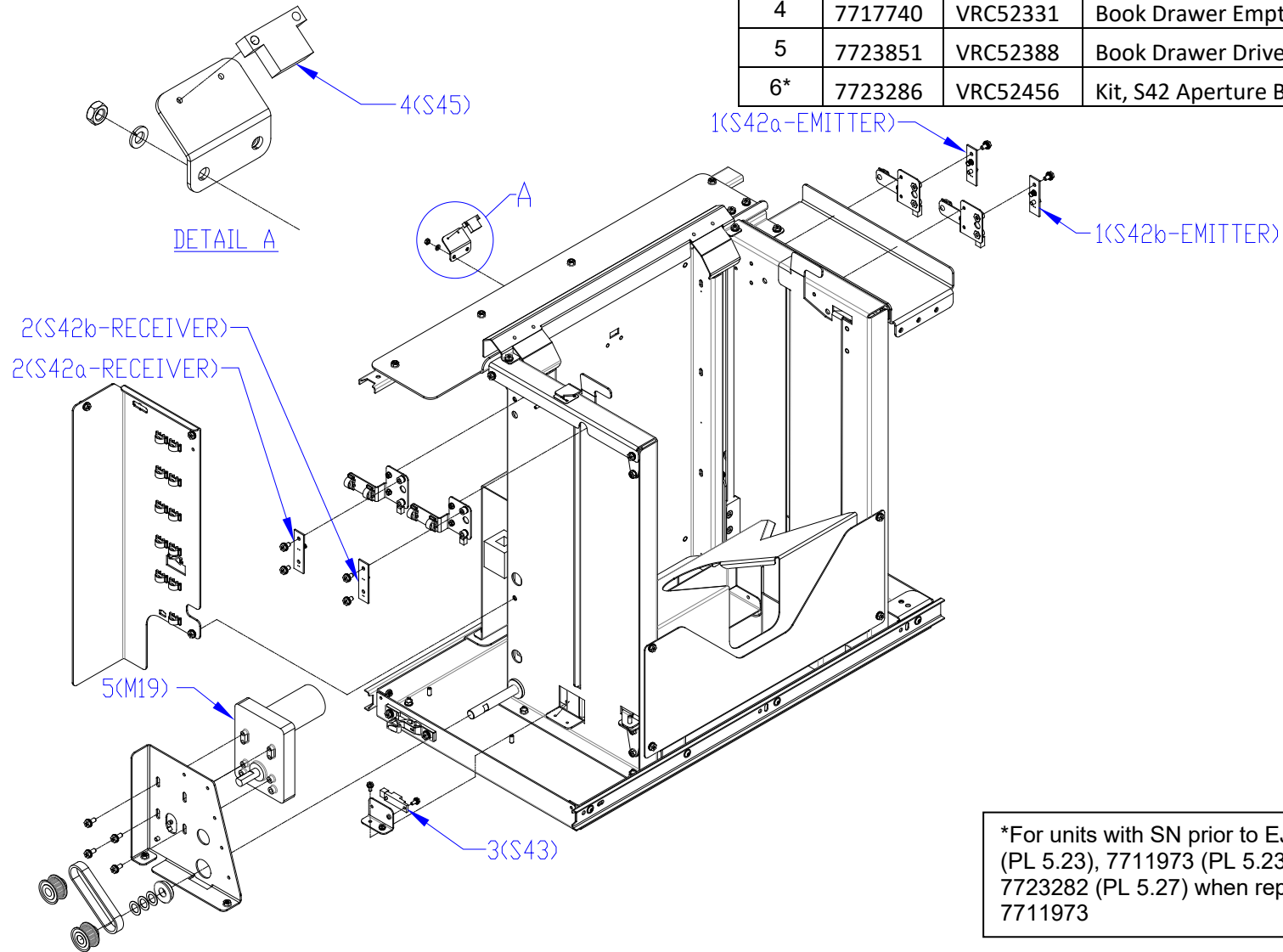
4(L8)

\*For machines built prior to EF30001L: 7723999 must also be ordered when either 7723244 or 7716612 are ordered.



**PL 5.23 BOOK DRAWER - SENSORS**

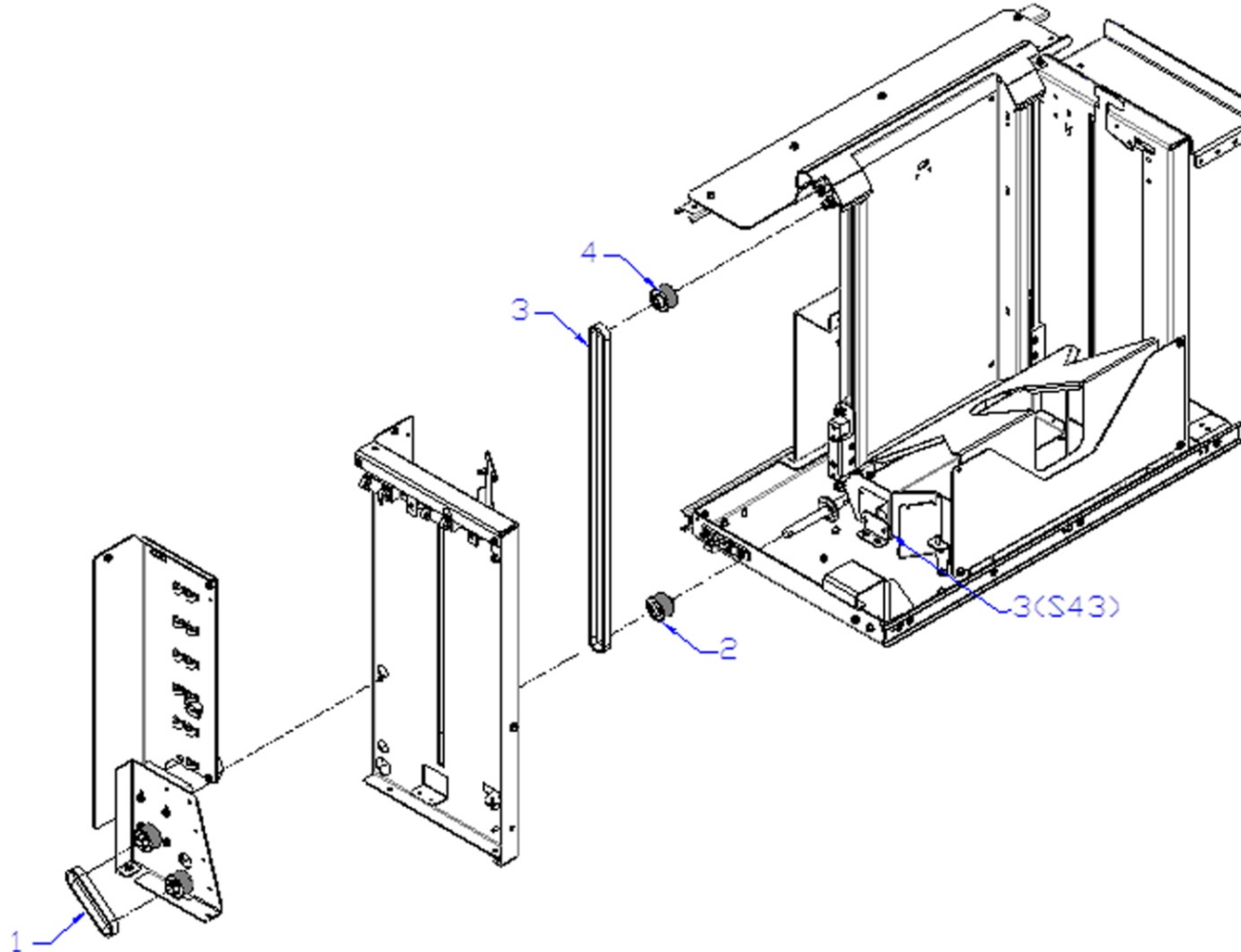
ITEM	GBC PART #	RICOH PART #	DESCRIPTION	QTY
1*	7711970	VRC52065	Drawer Full Up Sensors Emitter (S42)	2
2*	7711973	VRC52066	Drawer Full Up Sensors Receiver (S42)	2
3	7717443	VRC52320	Drawer Full Down Sensors Emitter (S43)	1
4	7717740	VRC52331	Book Drawer Empty Sensor (S45)	1
5	7723851	VRC52388	Book Drawer Drive Motor (M19)	1
6*	7723286	VRC52456	Kit, S42 Aperture Bracket, Service	1



\*For units with SN prior to EJ3008L, replace 7711970 (PL 5.23), 7711973 (PL 5.23), 7723286(PL 5.23) and 7723282 (PL 5.27) when replacing either 7711970 or 7711973

PL 5.24 BOOK DRAWER - BELTS & PULLEYS

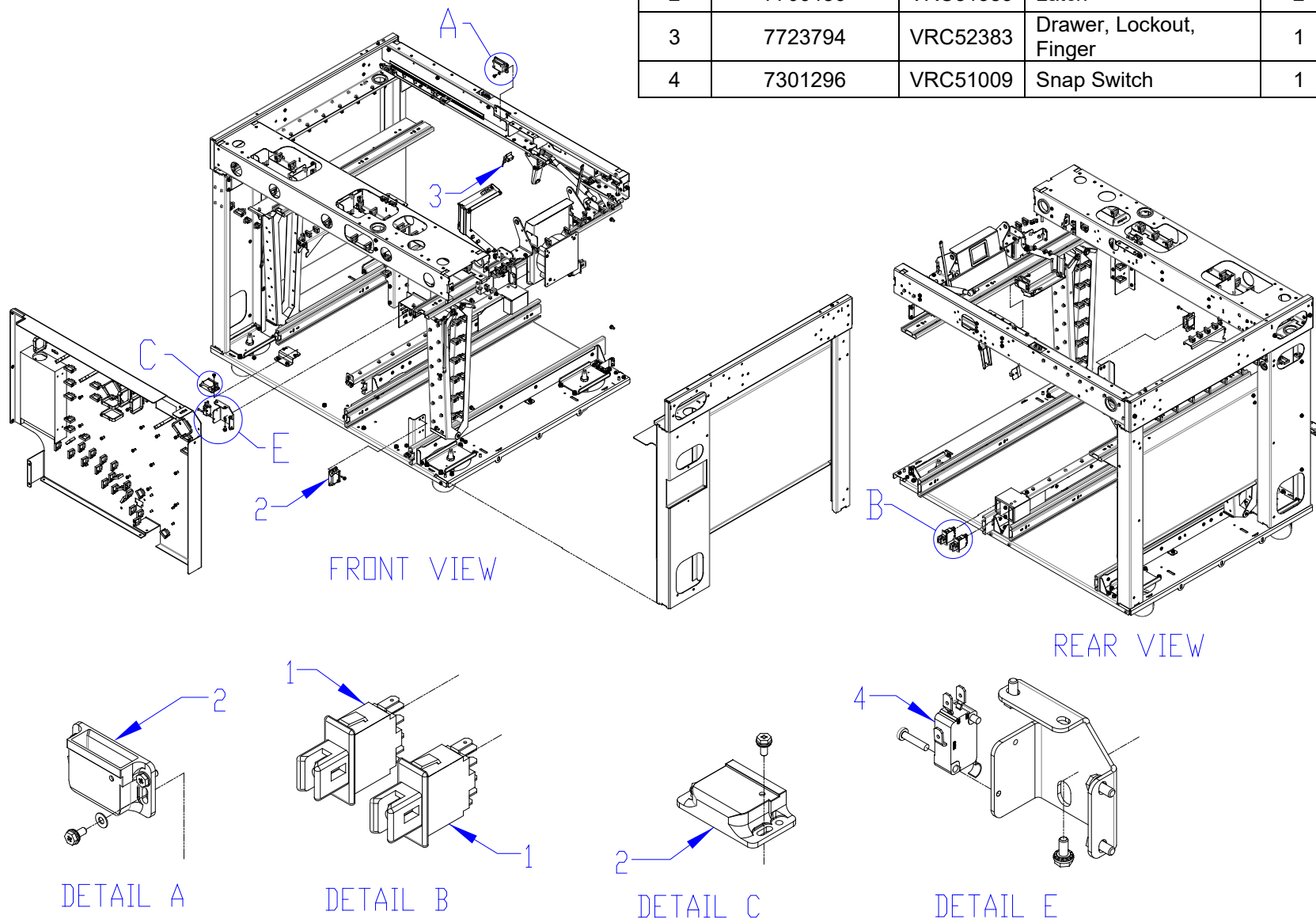
ITEM	GBC PART #	RICOH PART #	DESCRIPTION	QTY
1	7717828	VRC52338	Belt, Book Tray Drive Motor	1
2	7718022	VRC52342	Pulley, Book Tray Drive Shaft	2
3	7717818	VRC52336	Belt, Book Tray Vertical Lift	1
4	7717820	VRC52337	Pulley, Book Tray Vertical Lift	2





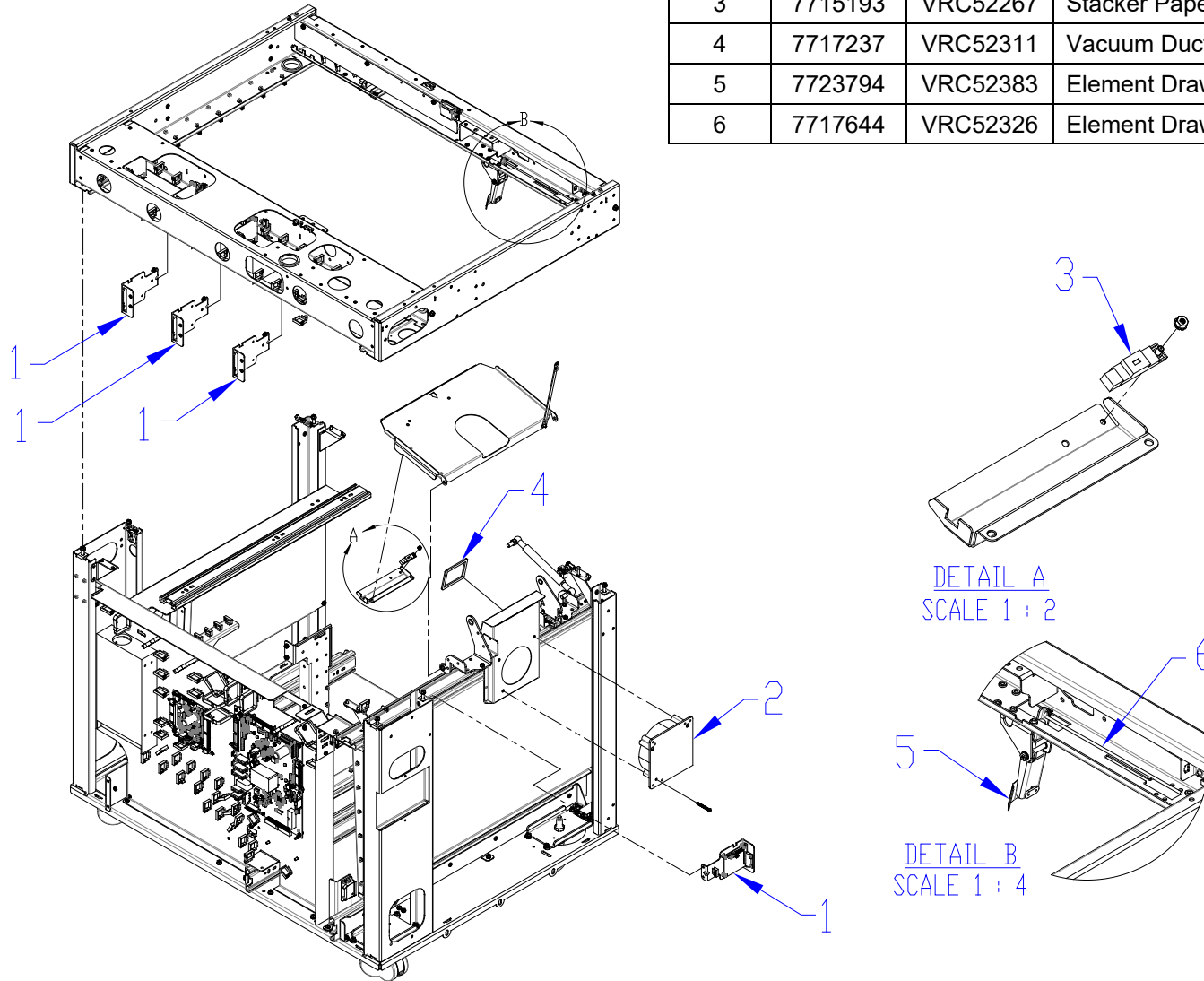
PL 5.25 FRAME - SWITCHES & LATCHES

ITEM	GBC PART #	RICOH PART #	DESCRIPTION	QTY
1	7724859	VRC52454	Interlock Switch	2
2	7706486	VRC51383	Latch	2
3	7723794	VRC52383	Drawer, Lockout, Finger	1
4	7301296	VRC51009	Snap Switch	1



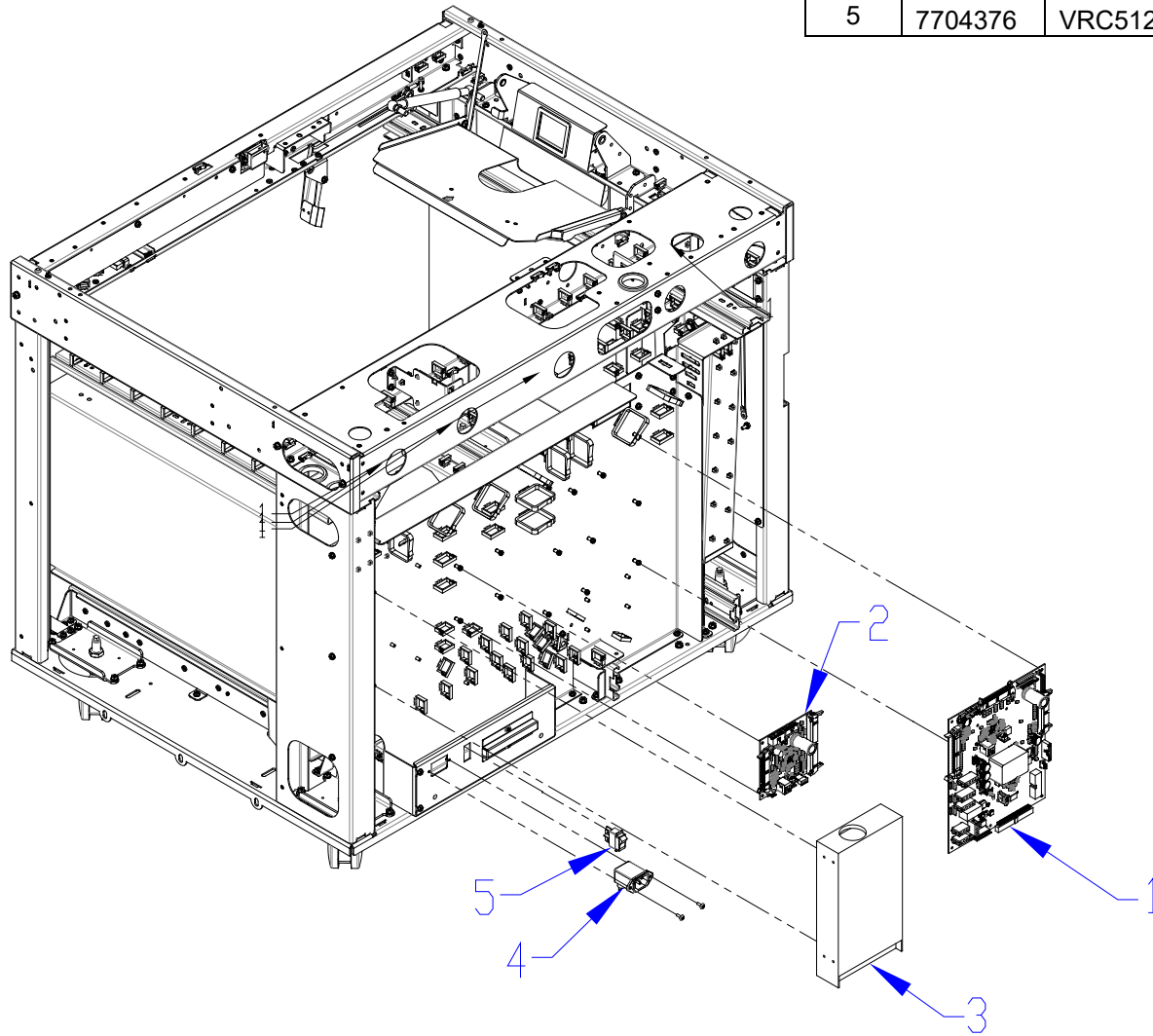
**PL 5.26 FRAME - VACUUM & LOCKOUT**

ITEM	GBC PART #	RICOH PART #	DESCRIPTION	QTY
1	7715275	VRC52120	Stepper Driver Board	4
2	7717339	VRC52312	Vacuum Fan	1
3	7715193	VRC52267	Stacker Paper Detect Sensor (S44)	1
4	7717237	VRC52311	Vacuum Duct Gasket	1
5	7723794	VRC52383	Element Drawer Lockout Finger	1
6	7717644	VRC52326	Element Drawer Lockout Linkage	1



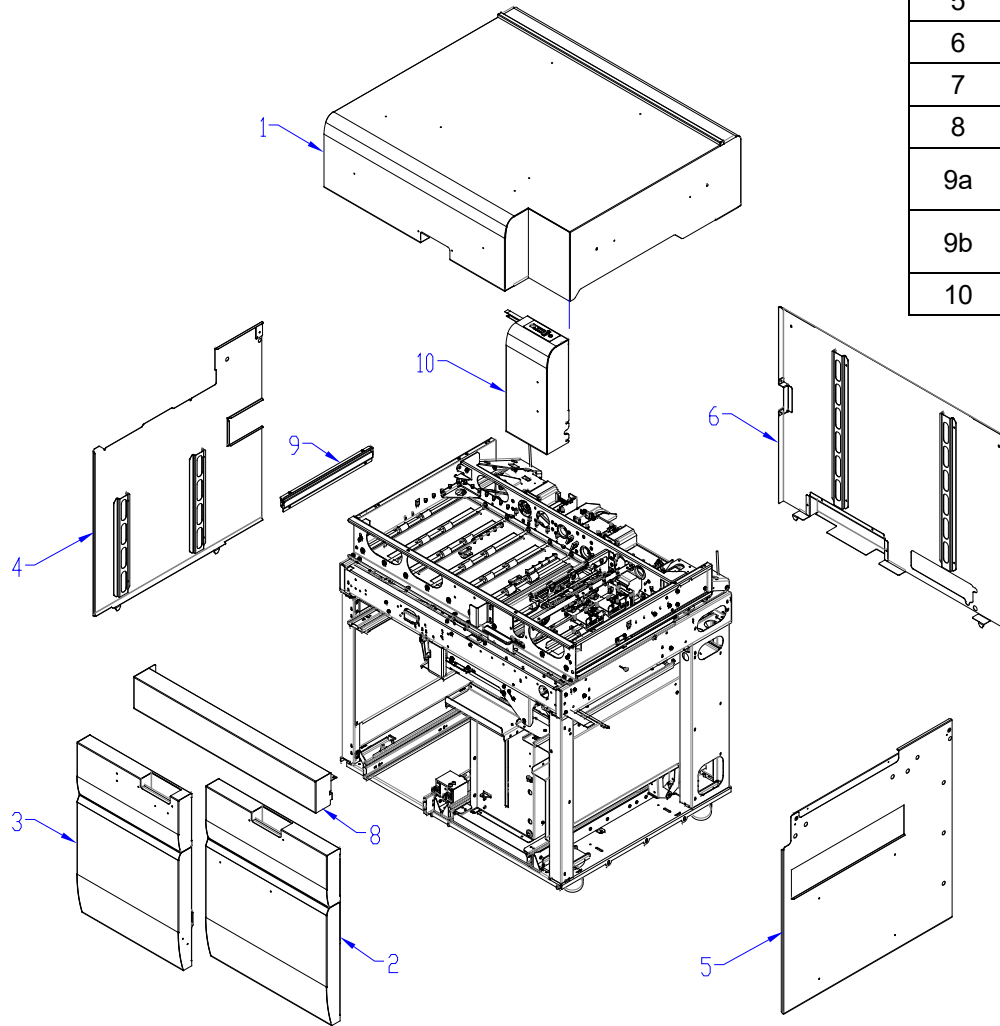
**PL 5.27 ELECTRICAL COMPONENTS**

ITEM	GBC PART #	RICOH PART #	DESCRIPTION	QTY
1	7716596	VRC52276	Main Control Board A-C	1
2*	7723283	VRC52277	Main Control Board B	1
3	7715637	VRC52184	24 VDC Power Supply	1
4	6195001	VRC52053	RFI Filter	1
5	7704376	VRC51259	AC Power Rocker Switch	1



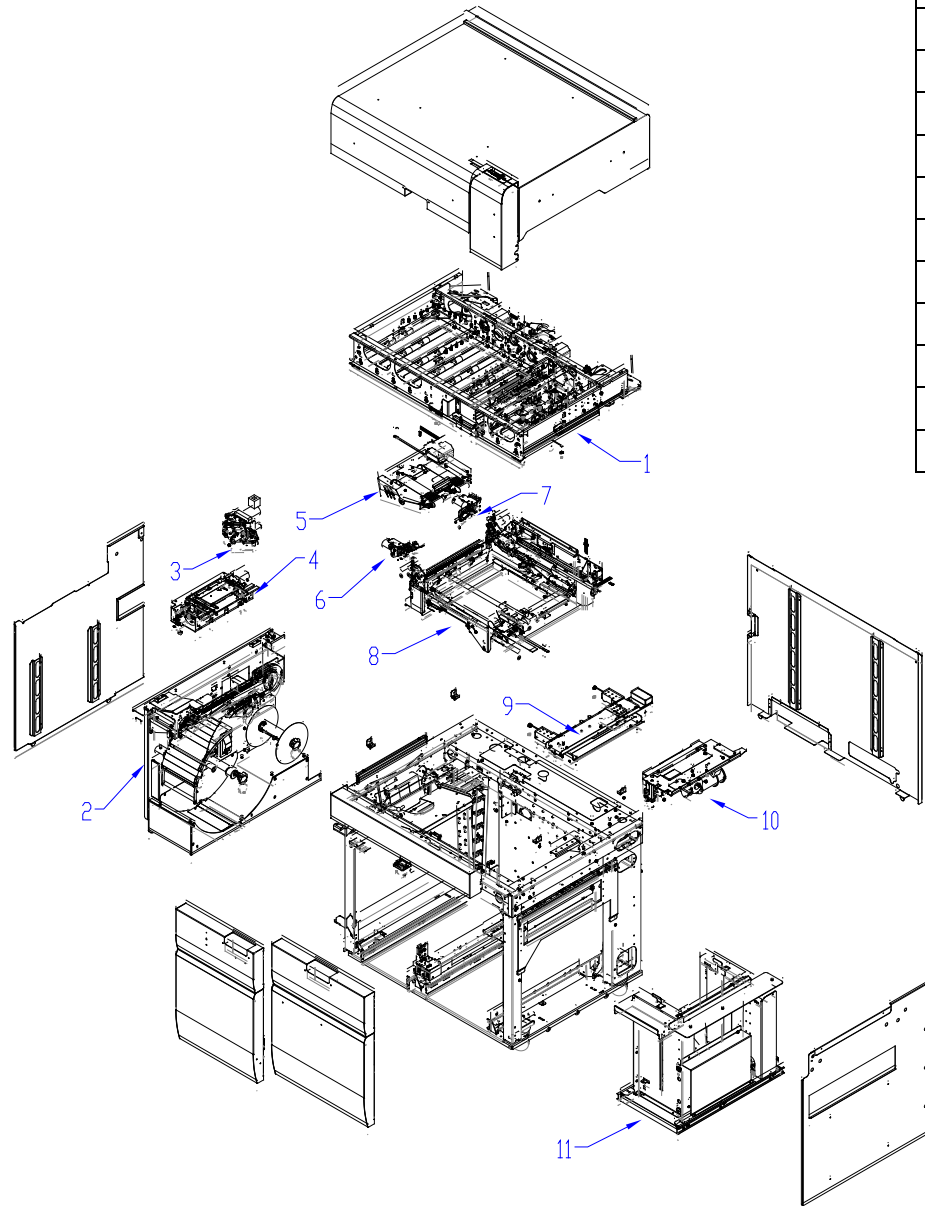
\*For units with SN prior to EJ30008L:  
 Replace 7711970, 7711973, and 7723286  
 when replacing 7723283

**PL 5.28 COVERS**



ITEM	GBC PART #	RICOH PART #	DESCRIPTION	QTY
1	7718204	VRC52356	Top Cover Assembly	1
2	7723737	VRC52379	Door, Book Tray	1
3	7723750	VRC52380	Door, Element Feeder	1
4	7723733	VRC52378	Side Panel Assembly, Left	1
5	7723728	VRC52377	Side Panel Assembly, Right	1
6	7723769	VRC52381	Back Cover Assembly	1
7	7717770	VRC52332	Paper Infeed Guide	1
8	7723773	VRC52382	Front Cover Panel Assembly	1
9a	7723951	VRC52392	Paper Outfeed Guide, Straight	1
9b	7723822	VRC52386	Paper Outfeed Guide, Angled	1
10	7723718	VRC52376	LCD Tower	1

**PL 5.29 MAIN ASSEMBLY (MODULES)**



ITEM	GBC PART #	RICOH PART #	DESCRIPTION	QTY
1	-	-	Paper Transport Complete Assy	1
2	7716970	VRC52303	Element Feeder	1
3	7716862	VRC52290	Knife Assy	1
4	7716887	VRC52294	Element Transfer, Module Assy	1
5	7716805	VRC52285	Module, Vacuum, Conveyor	1
6	7716863	VRC52291	Front Tapper Assy	1
7	7716874	VRC52293	Rear Tapper Assy	1
8	-	-	Holder Module	1
9	7717350	VRC52313	Deflector Module, FWD	1
10	7716762	VRC52282	Closer Module	1
11	7717420	VRC52318	Book Drawer, Complete	1

**PL 5.30 INSTALLATION KIT ITEMS**

<b>ITEM</b>	<b>GBC PART #</b>	<b>RICOH PART #</b>	<b>DESCRIPTION</b>
1	7717881	VRC52340	Element Height Setup Tool
2	7717879	VRC52339	Punched Hole Position Check
3	7718625	VRC52364	Kit, Punch Clutch Pulley
4	7718072	VRC52344	Magnet, eWire Spool
5	7718648	VRC52266	Wipes, Cleaning, Anti-Static
6	7723287	VRC52457	Kit, Spare Fasteners, eWire, Service
7	7718064	VRC52394	Instruction Sheet, Spool Replacement

**PL 5.31 CABLES**

<b>GBC PART #</b>	<b>RICOH PART #</b>	<b>DESCRIPTION</b>
Z7717866	VRC52504	RS-232 EXTENSION CABLE 7717866
Z7716589	VRC52464	CABLE, PRINTER TO FINISHER, RPPI
Z7723205	VRC52511	ASM, COMM CBLE&USB CVR, RICOH
Z7716701	VRC52465	WIRE HARNESS, VACUUM STACKER INTERNAL
Z7716702	VRC52466	WIRE HARNESS, CLOSER MODULE INTERNAL
Z7716703	VRC52467	CABLE ASSY, PCB TO CLOSER
Z7716704	VRC52468	CABLE ASSY, KNIFE MODULE
Z7716706	VRC52469	CABLE ASSY, HOLDER INTERNAL, USER SIDE
Z7716709	VRC52470	CABLE ASSY, PCB TO HOLDER MODULE
Z7716711	VRC52471	CABLE ASSY, PCB TO ELEMENT FEEDER HEADER
Z7716712	VRC52472	CABLE ASSY, SHEET TAPPERS
Z7716713	VRC52473	CABLE ASSY, LCD
Z7716714	VRC52474	CABLE ASSY, INTERLOCK, ELEMENT FEEDER
Z7716715	VRC52475	CABLE ASSY, INTERLOCK, BOOK DRAWER
Z7716716	VRC52476	CABLE ASSY, INTERLOCK, TOP COVER
Z7716717	VRC52477	CABLE ASSY, ELEM. FEEDER MOVEABLE CABLE #1
Z7716718	VRC52478	CABLE ASSY, ELEM. FEEDER MOVEABLE CABLE #2
Z7716719	VRC52479	CABLE ASSY, ELEM. FEEDER MOVEABLE CABLE #3
Z7716720	VRC52480	CABLE ASSY, ELEM. FEEDER INTERNAL #1
Z7716721	VRC52481	CABLE ASSY, ELEM. FEEDER INTERNAL #2
Z7716723	VRC52482	CABLE ASSY, 24VDC, ELEM. FEEDER INTERNAL
Z7716724	VRC52483	CABLE ASSY, 24VDC, ELEM. FEEDER, MOVEABLE
Z7716725	VRC52484	CABLE ASSY, 24VDC, PCB TO MOTOR DRIVERS #1
Z7716726	VRC52485	CABLE ASSY, 24VDC, SUPPLY TO PCB
Z7716727	VRC52486	CABLE ASSY, AC, NEUTRAL, INLET FILER TO SWITCH
Z7716730	VRC52487	CABLE ASSY, PCB TO BOOK DRAWER
Z7716731	VRC52488	CABLE ASSY, BOOK DRAWER, MOVEABLE HARNESS

Z7716732	VRC52489	CABLE ASSY, BOOK DRAWER MODULE, INTERNAL
Z7716734	VRC52490	CABLE ASSY, PCB INTERLINK, B TO A
Z7716737	VRC52491	CABLE ASSY, ALIGNMENT MODULE SENSOR BOARD
Z7716738	VRC52492	CABLE ASSY, SKEW BOARD
Z7716740	VRC52493	CABLE ASSY, 24VDC, MOTOR DRIVERS #3
Z7716741	VRC52494	CABLE ASSY, 24VDC, MOTOR DRIVERS #4
Z7716742	VRC52495	CABLE ASSY, 24VDC, SUPPLY TO PCB B
Z7716743	VRC52496	CABLE ASSY, GROUND WIRE, 20cm
Z7717197	VRC52497	CABLE, STEPPER DRIVER TO MOTOR
Z7717198	VRC52498	CABLE STEERING, MTR TO HDR
Z7717199	VRC52499	CABLE STEERING, DRV TO HDR
Z7717347	VRC52500	FLAT MYLAR CABLE, HOLDER
Z7717348	VRC52501	FLAT MYLAR CABLE, CLOSER
Z7717472	VRC52502	CABLE ASSY, ELEM TRANSFER, EXTENSION
Z7717473	VRC52503	CABLE ASSY, ELEM TRANSFER, INTERNAL
Z7717870	VRC52505	CABLE, PSU TO A-C BOARD, EWIRE
Z7717871	VRC52506	CABLE, SWITCH TO A-C BOARD, EWIRE
Z7718556	VRC52507	JUMPER , BOOK DRAWER
Z7718656	VRC52508	CABLE, COMMS, EWIRE TO SPARTA, INTERNAL
Z7723151	VRC52509	CABLE, EXTENSION, VACUUM STACKER MOTOR
Z7723193	VRC52510	CABLE, EF SWITCH CLOSE
Z7723239	VRC52512	CABLE ASSY, HOLDER, RIBBON ADAPTER
Z7723240	VRC52513	FLAT MYLAR CABLE, HOLDER
Z7723211	VRC52511	CLOSER FRONT ASSY WITH CABLE