
5. Parts List (PL)

Section Contents

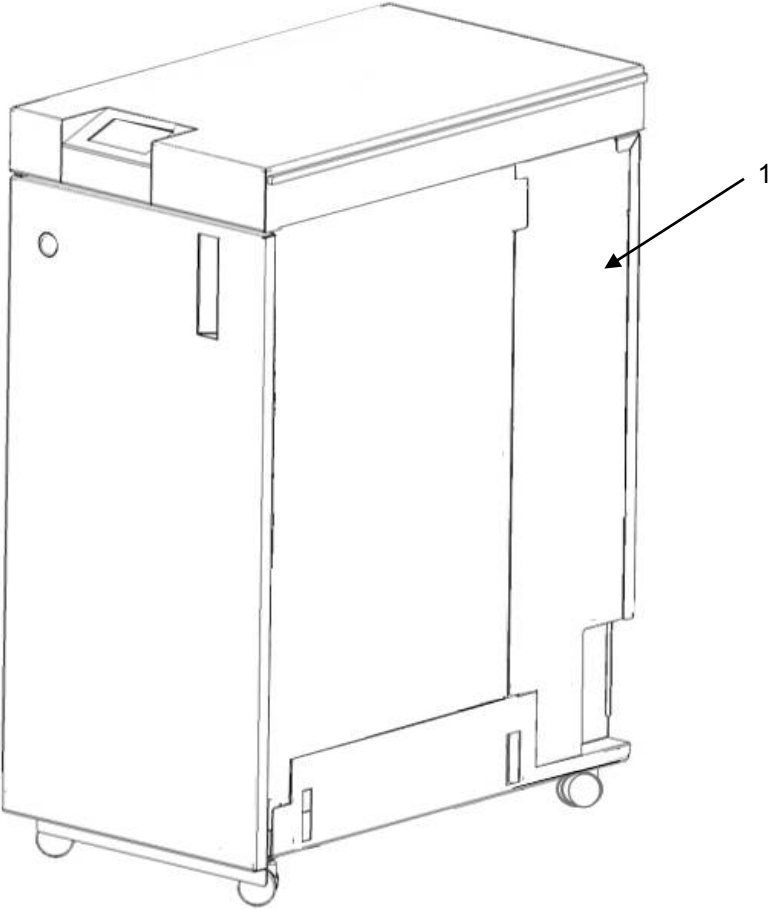
- 1. Main Assembly 2**
 - PL 1.1. Final Assembly 2
 - PL 1.2. Cabinet - Covers..... 3
- 2. Frame Assembly 4**
 - PL 2.1. Frame Assembly- Paper path panels 4
 - PL 2.2. Frame Assembly- Front side 5
 - PL 2.3. Frame Assembly- Rear Side 6
 - PL 2.4. Frame Assembly- Drive Rollers..... 7
 - PL 2.5. Frame Assembly- Internal Parts 8
 - PL 2.6. Frame Assembly- Motors and Motor Drivers 9
 - PL 2.7. Frame Assembly- Sensors 10
 - PL 2.8. Frame Assembly- Solenoids / Switches 11
 - PL 2.9. Frame Assembly- Belts 12
- 3. Paper Path 13**
 - PL 3.1. Paper Path- Entrance Drive Panel 13
 - PL 3.2. Paper Path- Entrance Idler Panel..... 14
 - PL 3.3. Paper Path- Acceleration Roller Idler..... 15
 - PL 3.4. Paper Path- Exit Idler Panel 16
 - PL 3.5. Paper Path- Upper Bypass Panel 17
 - PL 3.6. Paper Path- Disengaging Roller Solenoid..... 18
- 4. Punch Module 19**
 - PL 4.1. Punch Module..... 19
 - PL 4.2. Punch Module (continued) 20
 - PL 4.3. Punch Module- Motors/Sensors 21
 - PL 4.4. Punch Module- Steering Module 22
 - PL 4.5. Punch Module- Steering Module - Steering Idler Panel
Sub Assembly..... 23
 - PL 4.6. Punch Module- Steering Module - Drive Panel Steering..... 24
 - PL 4.7. Punch Module- Stepper Alignment Bracket 25
 - PL 4.8. Punch Module- Punch Clutch..... 26
 - PL 4.9. Punch Module- Die Set Recognition Reader Board 27
 - PL 4.10. Punch Module- Die Rail, Backgage, Align Sensors,
Sub Assembly..... 28
 - PL 4.11. Punch Module- AC Motor 29
- 5. Die Sets 30**
- 6. Electronics 31**
 - PL 6.1. Electronics PCB Assembly..... 31
 - PL 6.2. Control Board Bracket Sub Assembly..... 32
 - PL 6.3. Cable Part Number Index..... 33

- PL 6.4. Wiring Drawing 34
- 7. Installation Kit Parts 36**
- 8. Part Number Index 37**

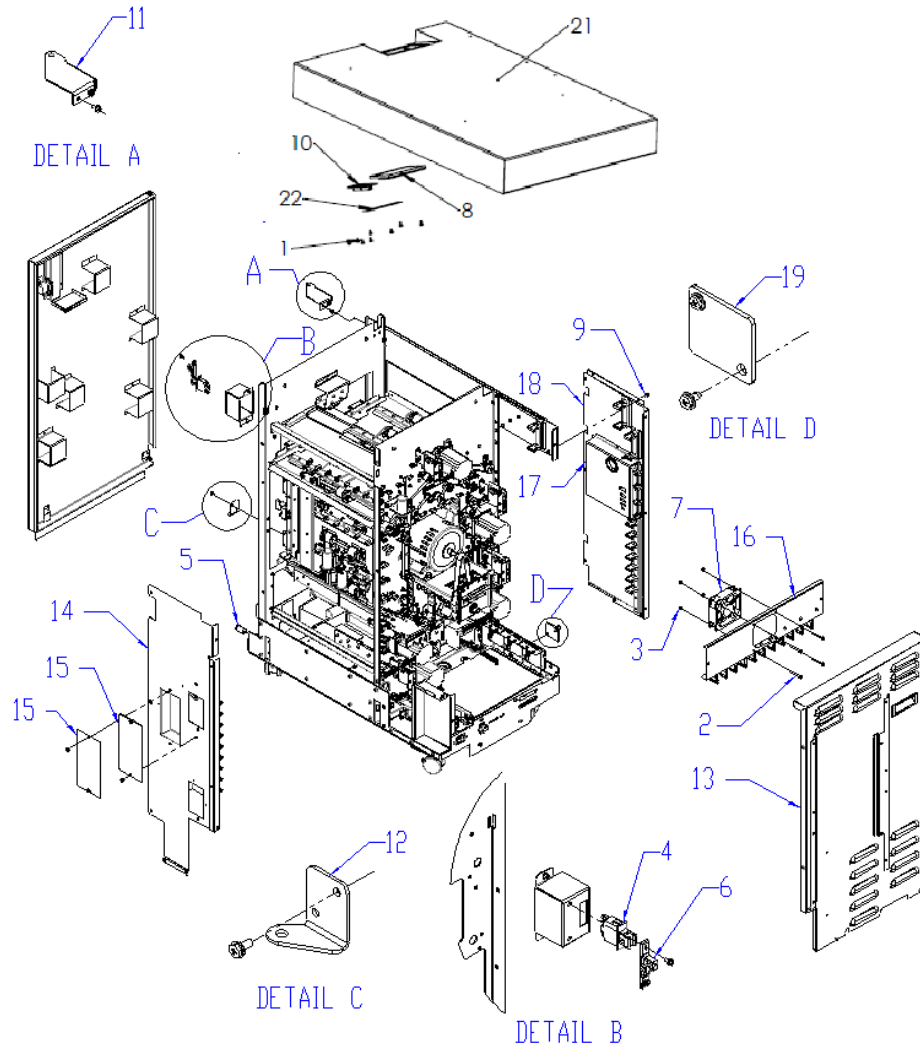
Main Assembly

PL 1.1. Final Assembly

| ITEM | Part # | DESCRIPTION | QTY |
|------|---------|---------------|-----|
| 1 | 7724401 | PUNCH G3 115V | 1 |
| | 7724451 | PUNCH G3 230V | 1 |



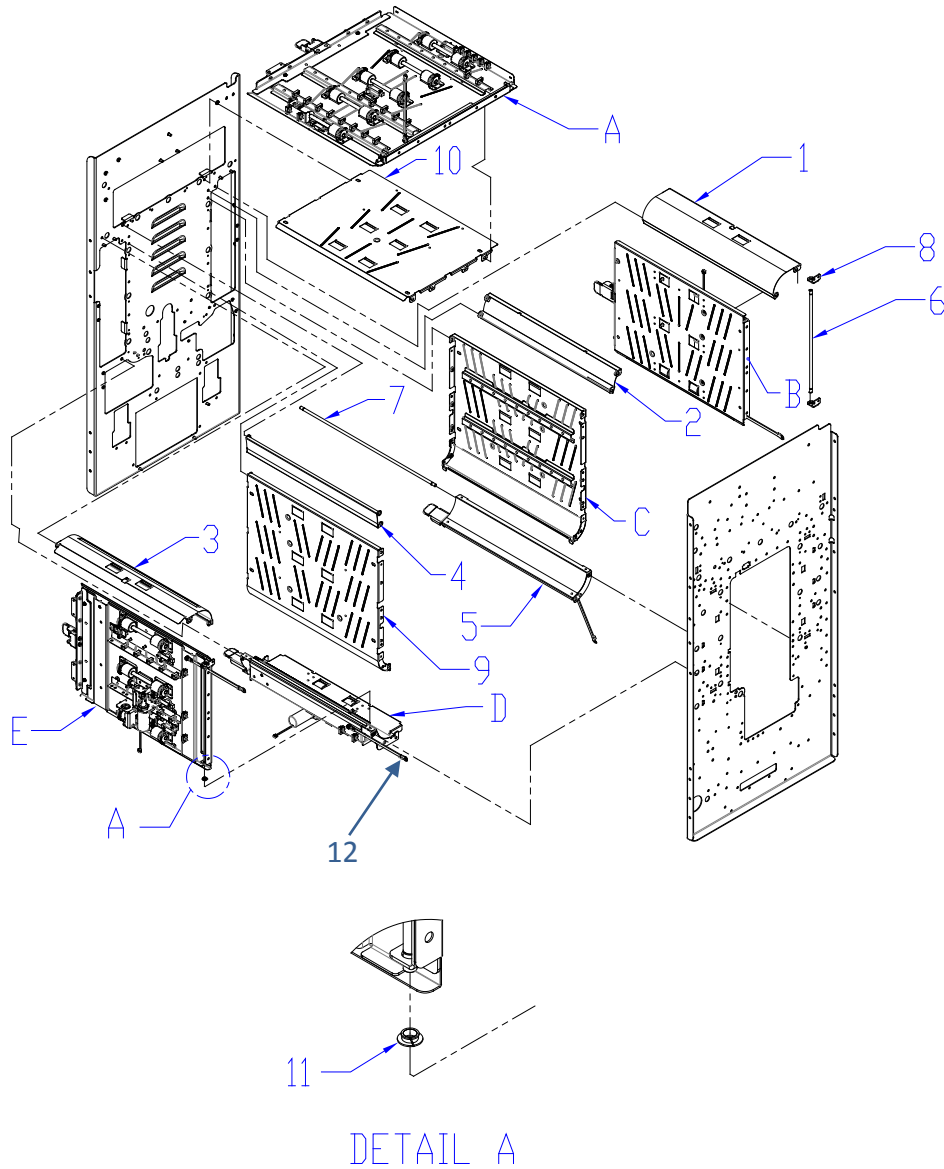
PL 1.2. Cabinet- Covers



| ITEM | GBC Part # | DESCRIPTION | QTY |
|------|------------|---|-----|
| 1 | 1823901 | SCREW, PHILLIPS, HEX HD M3X6 | 5 |
| 2 | 1823905 | SCREW, PHILLIPS HX HD M4X35 | 4 |
| 3 | 1824001 | NUT, KEPS M4 | 4 |
| 4 | 7610501 | INTERLOCK SWITCH | 1 |
| 5 | 7706447 | MAGNET, FRONT DOOR | 1 |
| 6 | 7706486 | LATCH, PUSH TO CLOSE | 1 |
| 7 | 7715267 | FAN, EXHAUST | 1 |
| 8 | 7723665 | LCD, TOUCHSCREEN, 4.3" | 1 |
| 9 | 7715632 | SCREW, ROUND TIP, HEX HD, PHILLIPS, M4 X 8 | 39 |
| 10 | 7723646 | ADAPTER PCB, LCD TOUCHSCREEN | 1 |
| 11 | 7718836 | HINGE,, UPPER SUBASSY, KM | 1 |
| 12 | 7718838 | HINGE ASSY, LOWER, KM | 1 |
| 13 | 7718840 | COVER PANEL ASSY, BACK, KM | 1 |
| 14 | 7718847 | COVER WELDMENT, R-BACK, KM | 1 |
| 15 | 7718856 | COVER, POCKET | 2 |
| 16 | 7718859 | BRACKET, EXHAUST FAN, KM | 1 |
| 17 | 7718862 | COVER, WELDMENT, SIDE, DOWNSTREAM, REAR, KM | 1 |
| 18 | 7718867 | PANEL ASSY, BACK LEFT, SPARTA, KM | 1 |
| 19 | 7718872 | SPACER, KM SPARTA, MTG INTERFACE | 4 |
| 20 | 7718873 | FOAM, KM SPARTA | 1 |
| 21 | 7724412 | TOP COVER WELDMENT | 1 |
| 22 | 7724422 | RIBBON CABLE, LCD | 1 |

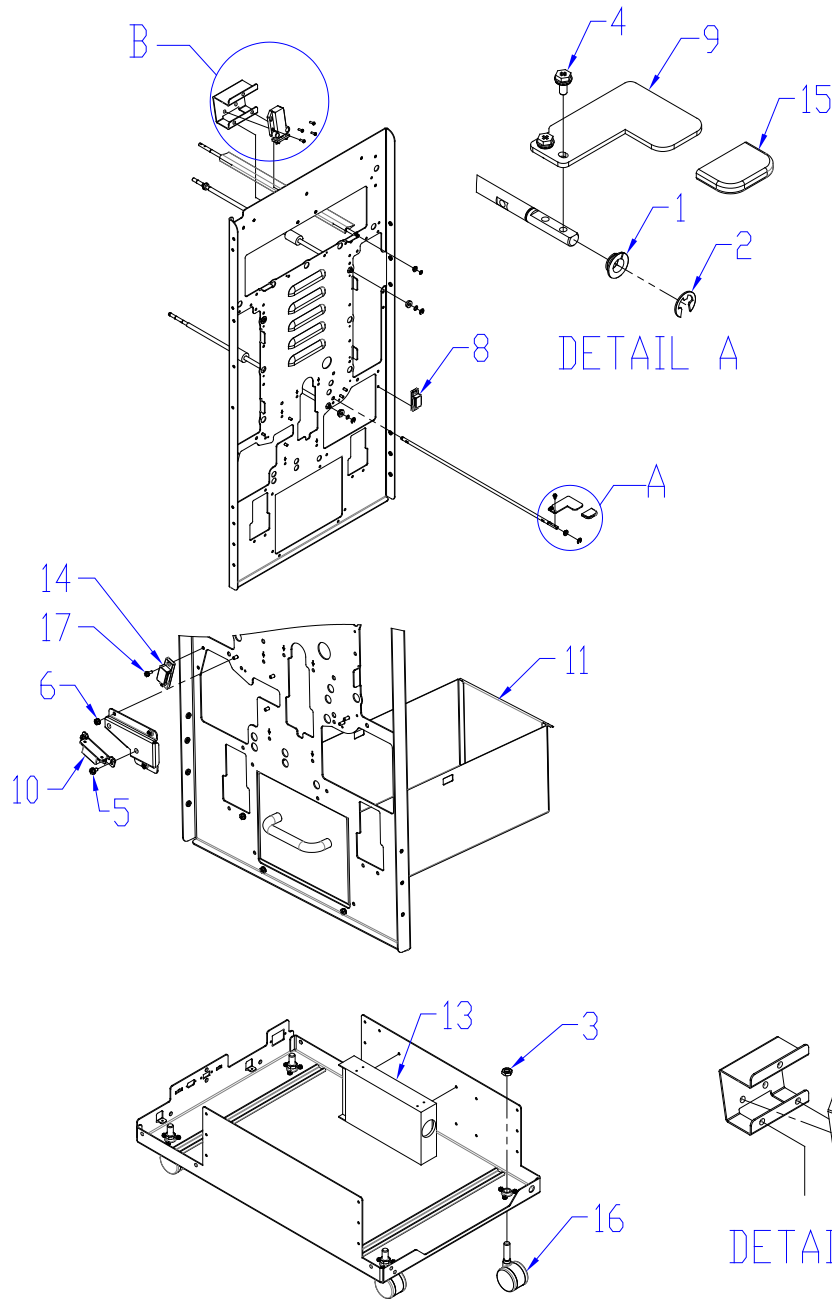
Frame Assembly

PL 2.1. Frame Assembly- Paper path panels



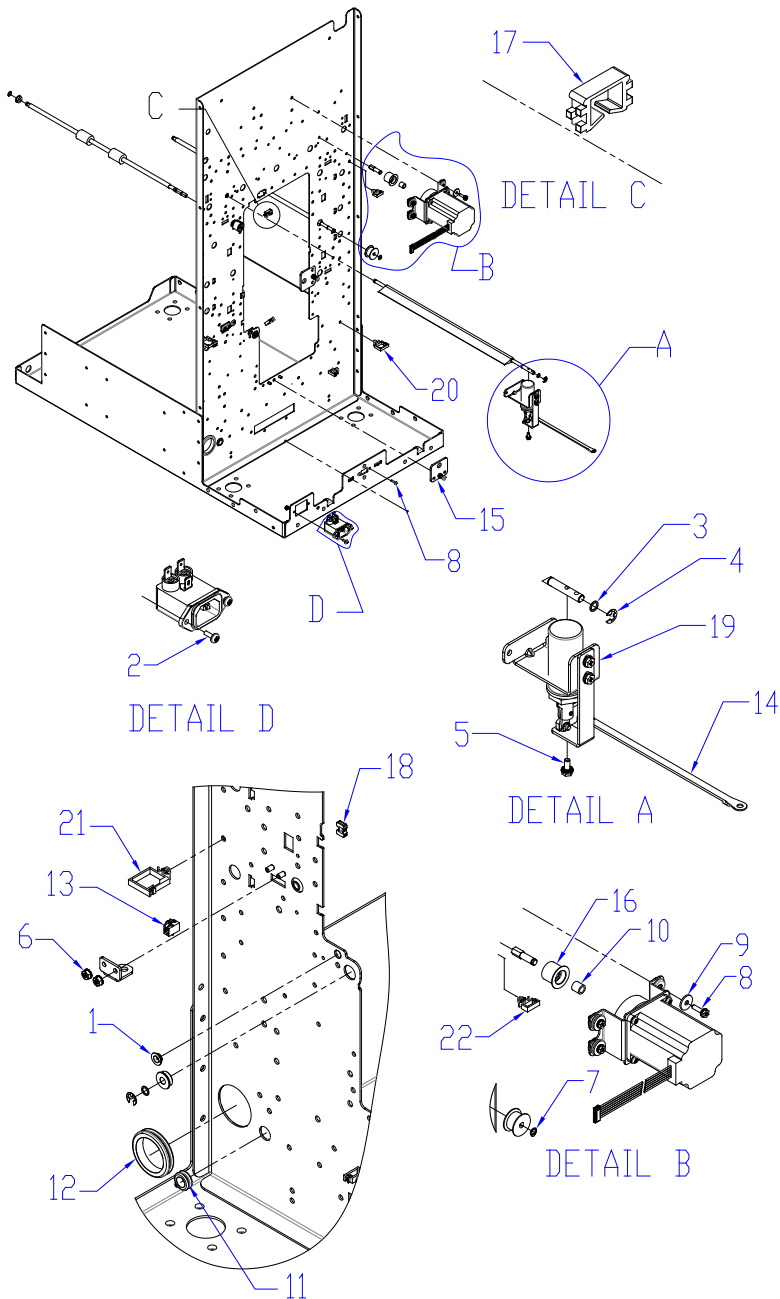
| ITEM | GBC Part # | DESCRIPTION | QTY |
|------|------------|---|-----|
| A | PL 5.5 | UPPER BYPASS PANEL | 1 |
| B | PL 5.2 | ENTRANCE IDLER PANEL | 1 |
| C | PL 5.1 | ENTRANCE DRIVE PANEL | 1 |
| D | PL 5.3 | ACCELERATION IDLER PANEL | 1 |
| E | PL 5.4 | EXIT IDLER PANEL | 1 |
| 1 | 7715101 | PANEL, ENTRANCE, LOWER | 1 |
| 2 | 7715102 | PANEL, ENTRANCE, INNER | 1 |
| 3 | 7715146 | PANEL, EXIT, LOWER | 1 |
| 4 | 7715153 | PANEL, EXIT, INNER | 1 |
| 5 | 7724137 | PANEL ASSEMBLY, LOWER, EXIT | 1 |
| 6 | 7715209 | SHAFT, IDLER PANEL HINGE | 2 |
| 7 | 7715210 | SHAFT, IDLR PANEL HINGE, LONG | 2 |
| 8 | 7715251 | BRACKET, IDLER PANEL MOUNT | 6 |
| 9 | 7715150 | PANEL WELDMNT, DRIVE, EXIT | 1 |
| 10 | 7715128 | PANEL WLDMNT, BYPASS, LOWER | 1 |
| 11 | 1821209 | SNAP-IN BEARING, 6MM ID [Qty. (2) used on all Idler panels- #A, #B, #D, #E and #5] | 10 |
| 12 | 7718619 | SHAFT, IDLER PANEL HINGE, OFFSET GROOVE, LONG | 1 |

PL 2.2. Frame Assembly- Front side



| ITEM | GBC Part # | DESCRIPTION | QTY |
|------|------------|-------------------------------|-----|
| 1 | 1821209 | Snap-in Bearing, 6mm ID | 2 |
| 2 | 1822202 | E-RING, JE-5 | 4 |
| 3 | 1823711 | JAM NUT, M16X2.0 | 4 |
| 4 | 1823901 | SCREW, HX, W/SEMS,M3X6 | 2 |
| 5 | 1823909 | SCREW, HX, W/SEMS M4X6 | 2 |
| 6 | 1824001 | NUT, KEPS M4 | 3 |
| 7 | 1821606 | SCREW, PHILLIPS PAN HD, M3X10 | 6 |
| 8 | 7715195 | MAGNET, PANEL, OPEN, STRONG | 1 |
| 9 | 7715215 | HANDLE, ACCEL IDLER LATCH | 1 |
| 10 | 7715385 | MAGNET, BRACKET, ASSY | 1 |
| 11 | 7715427 | CHIP TRAY, ASSEMBLY | 1 |
| 12 | 7715650 | LATCH, BYPASS | 1 |
| 13 | 7715637 | POWER SUPPLY, 24V, MW SP 480, | 1 |
| 14 | 7715789 | MAGNET, PANEL, OPEN, WEAK | 3 |
| 15 | 7708163 | CAP, RUBBER, RAIN BLUE | 2 |
| 16 | 7723799 | CASTER, ADJUSTABLE, ASSY, KM | 4 |
| 17 | 1823913 | SCREW, HX, W/SEMS, M3 X 8 | 8 |

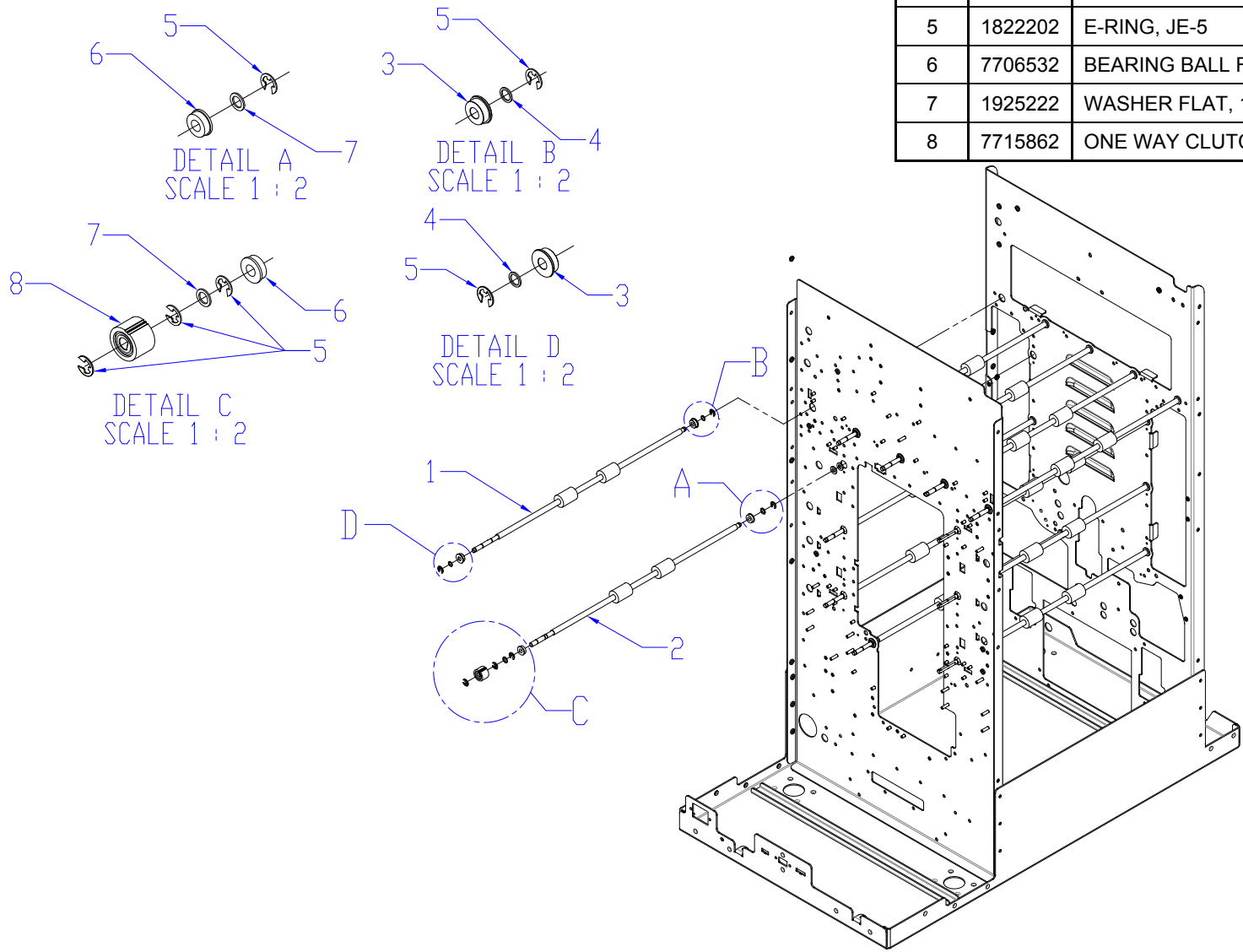
PL 2.3. Frame Assembly- Rear Side



| ITEM | GBC Part # | DESCRIPTION | QTY |
|------|------------|---|-----|
| 1 | 1821209 | Snap-in Bearing, 6mm ID | 2 |
| 2 | 1821611 | SCREW, PHILLIPS HD W/SEMS, M3X10 | 2 |
| 3 | 1822005 | WASHER, FLAT, 6.025 X 8 X 0.75 | 2 |
| 4 | 1822202 | E-RING, JE-5 | 7 |
| 5 | 1823910 | SCREW, PHILLIPS HX HD W/SEMS M4 X 14 | 12 |
| 6 | 1824001 | NUT, KEPS M4 | 32 |
| 7 | 1825501 | RETAINING RING, 6MM SHAFT | 15 |
| 8 | 1902863 | SCREW, MACHINE PAN #4-40x15/32 PHILLIPS | 2 |
| 9 | 1925044 | WSHR, .192 ID X .625 OD X .060 T | 20 |
| 10 | 1952208 | SPACER, TIMING BELT IDLERS, BRONZE | 4 |
| 11 | 1954011 | GROMMET, 3/8 I.D X 1/2 O.D | 11 |
| 12 | 1954032 | GROMMET, 1 1/4 I.D. X 1 1/2 O.D. | 1 |
| 13 | 7712703 | WIRE HEADER CONNECTOR, 2 POS | 6 |
| 14 | 7714679 | GROUND STRAP, M4 | 1 |
| 15 | 7715185 | BRACKET, PUNCH MODULE MOUNT | 2 |
| 16 | 7715383 | ROLLER, IDLER, DRIVE ASSY, | 4 |
| 17 | 7715390 | WIRE CLAMP, EDGE | 1 |
| 18 | 7715445 | WIRE CLAMP, EDGE, SMALL | 2 |
| 19 | 7715813 | SOLENOID, BRACKET, DIVERTER, SUB ASSY | 1 |
| 20 | 7715818 | WIRE SADDLE, MEDIUM, LOCKING TOP, V-0 | 10 |
| 21 | 7715819 | WIRE SADDLE, LARGE, LOCKING TOP, V-0 | 8 |
| 22 | 7715817 | WIRE SADDLE, SMALL, LOCKING TOP, V-0 | 32 |

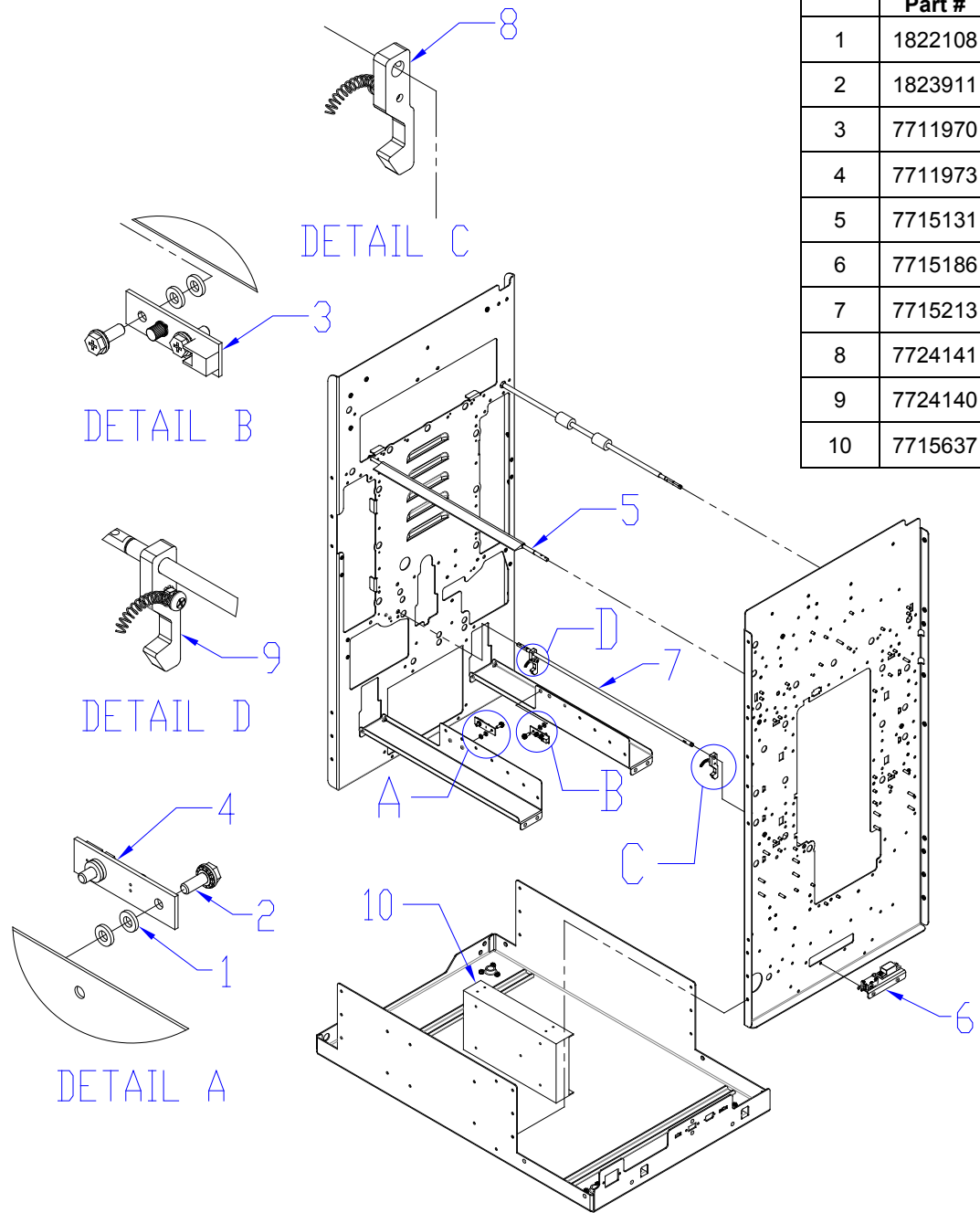
PL 2.4. Frame Assembly- Drive Rollers

| ITEM | GBC Part # | DESCRIPTION | QTY |
|------|------------|------------------------------------|-----|
| 1 | 7715093 | ROLLER ASSY, DRIVE | 11 |
| 2 | 7715097 | ROLLER ASSY, ONE WAY CLUTCH DRIVE | 1 |
| 3 | 1821116 | BEARING, BALL, FLANGE 6X13X5, SUJ2 | 22 |
| 4 | 1822005 | WASHER, FLAT, 6.025 X 8 X 0.75 | 22 |
| 5 | 1822202 | E-RING, JE-5 | 26 |
| 6 | 7706532 | BEARING BALL FLANGE | 2 |
| 7 | 1925222 | WASHER FLAT, 1/4X3/8X1/32 | 2 |
| 8 | 7715862 | ONE WAY CLUTCH SUB ASSEMBLY | 1 |

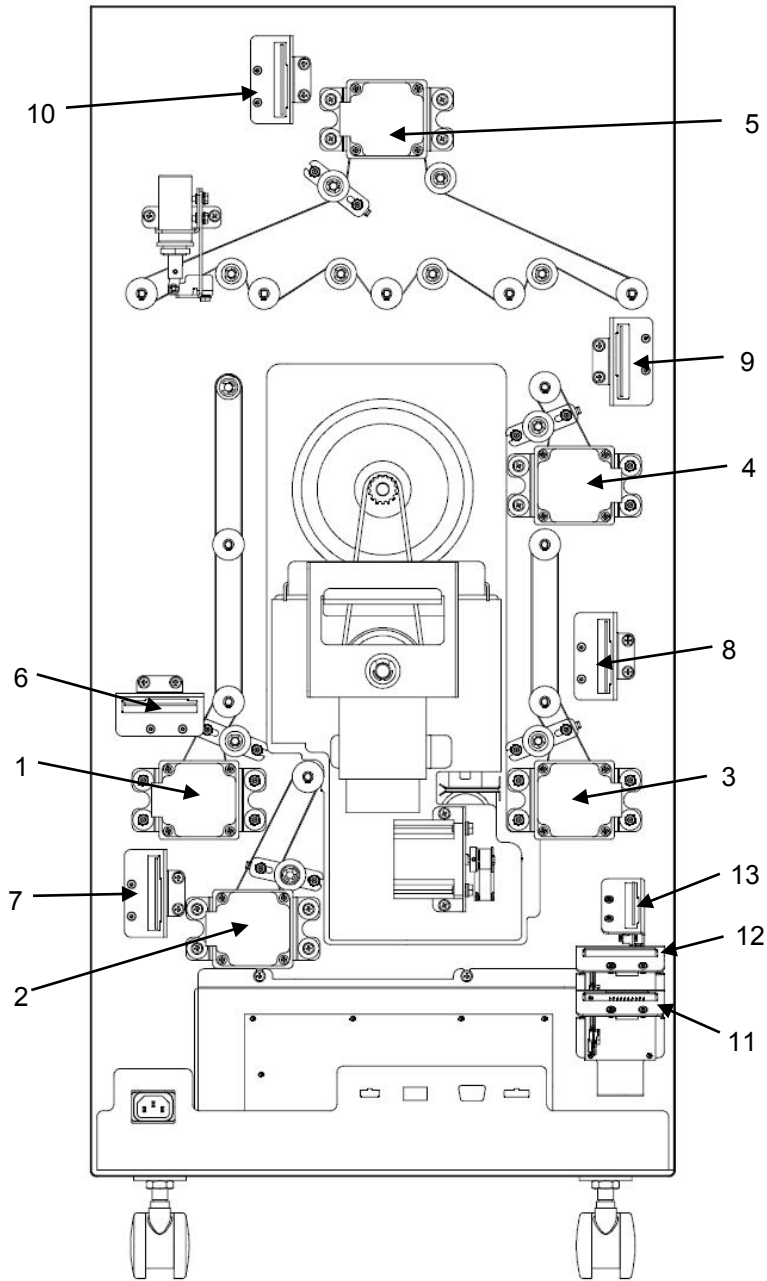


PL 2.5. Frame Assembly- Internal Parts

| ITEM | GBC Part # | DESCRIPTION | QTY |
|------|------------|---------------------------------------|-----|
| 1 | 1822108 | WASHER, FLAT, 4.1X8X1.5 | 8 |
| 2 | 1823911 | SCREW, PHILLIPS HX HD W/SEMS M4 X 10 | 4 |
| 3 | 7711970 | EMITTER | 1 |
| 4 | 7711973 | RECEIVER | 1 |
| 5 | 7715131 | BYPASS DIVERTER | 1 |
| 6 | 7715186 | CHIP TRAY SENSOR MOUNT ASSY | 1 |
| 7 | 7715213 | SHAFT, ACCEL IDLER LATCH | 1 |
| 8 | 7724141 | LATCH, ASSY, REAR, ACCEL IDLER PANEL | 1 |
| 9 | 7724140 | LATCH, ASSY, FRONT, ACCEL IDLER PANEL | 1 |
| 10 | 7715637 | POWER SUPPLY, 24V, MW SP 480, | 1 |

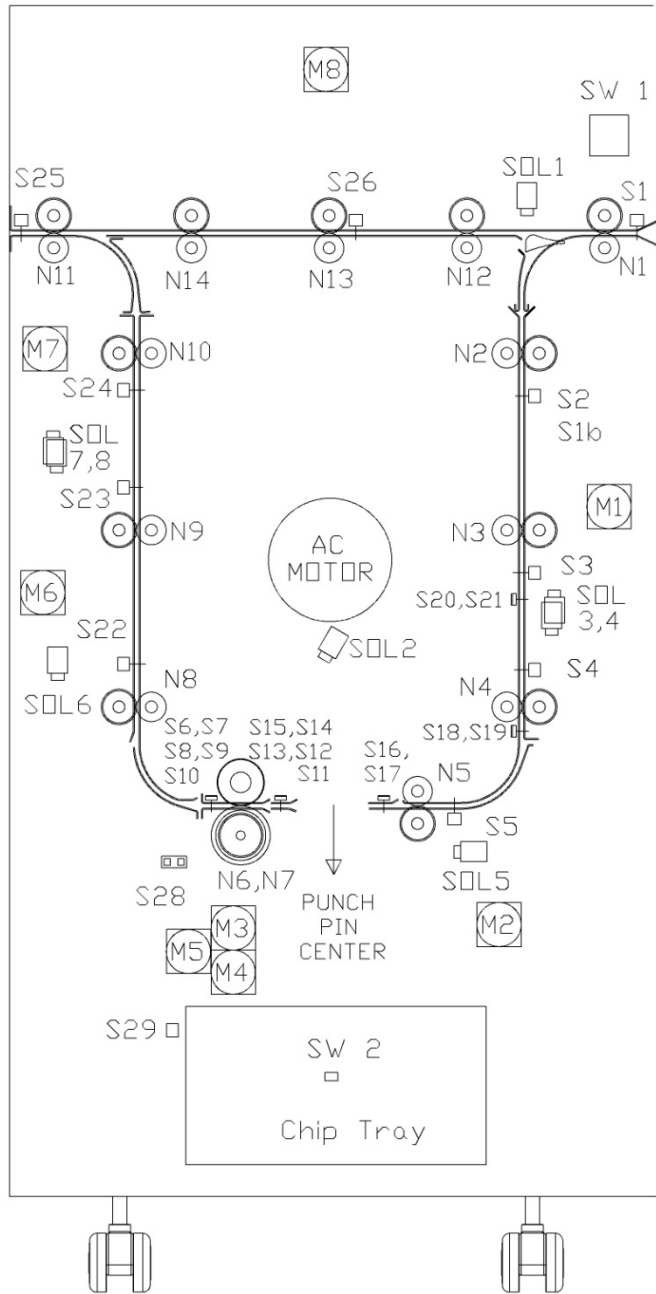


PL 2.6. Frame Assembly- Motors and Motor Drivers



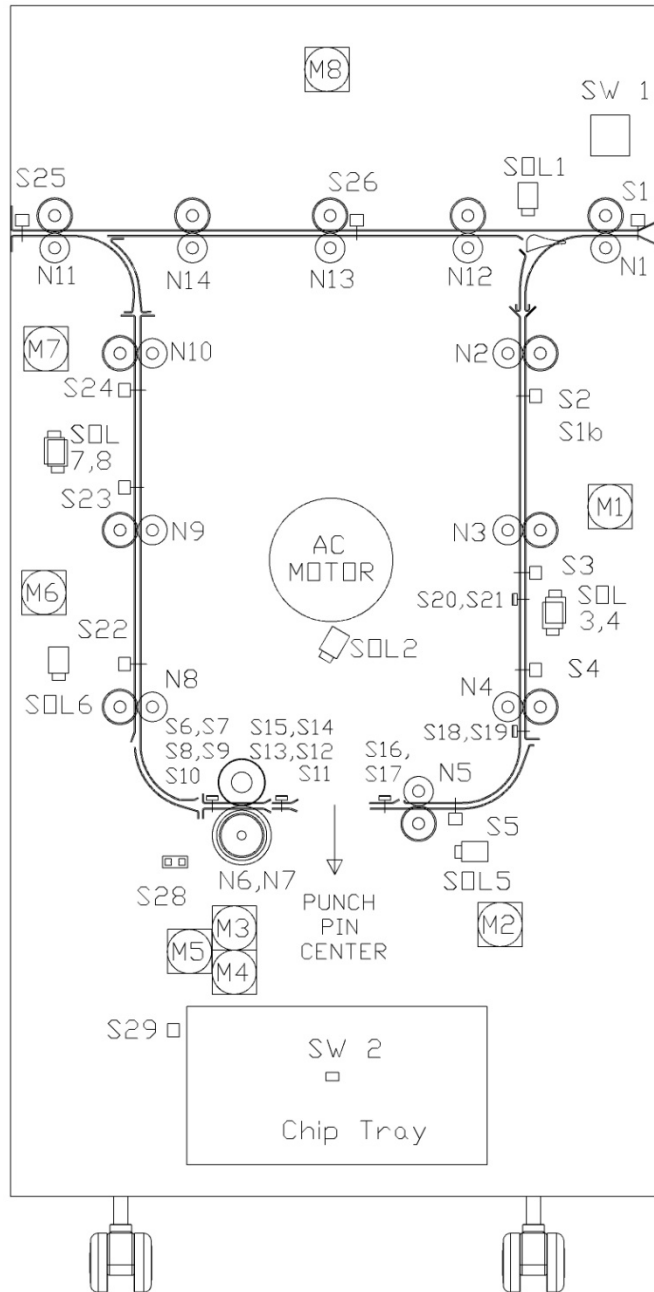
| ITEM | GBC Part # | | DESCRIPTION | QTY |
|--|------------|--------|--|-----|
| 1 | 7715159 | M1 | ENTRANCE MOTOR STEPPER AND MOUNT ASSY | 1 |
| 2 | 7715159 | M2 | ACCEL MOTOR STEPPER AND MOUNT ASSY | 1 |
| 3 | 7715159 | M6 | EXIT MOTOR STEPPER AND MOUNT ASSY | 1 |
| 4 | 7715159 | M7 | DECEL MOTOR STEPPER AND MOUNT ASSY | 1 |
| 5 | 7715159 | M8 | BYPASS MOTOR STEPPER AND MOUNT ASSY | 1 |
| 6 | 7715275 | DRV M1 | M1 STEPPER DRIVER DRIVER AND BRACKET ASSY, TWO PHASE | 1 |
| 7 | 7715275 | DRV M2 | M2 STEPPER DRIVER DRIVER AND BRACKET ASSY, TWO PHASE | 1 |
| 8 | 7715275 | DRV M6 | M6 STEPPER DRIVER DRIVER AND BRACKET ASSY, TWO PHASE | 1 |
| 9 | 7715275 | DRV M7 | M7 STEPPER DRIVER DRIVER AND BRACKET ASSY, TWO PHASE | 1 |
| 10 | 7715275 | DRV M8 | M8 STEPPER DRIVER DRIVER AND BRACKET ASSY, TWO PHASE | 1 |
| 11 | 7715275 | DRV M3 | M3 STEPPER DRIVER DRIVER AND BRACKET ASSY, TWO PHASE | 1 |
| 12 | 7715275 | DRV M4 | M4 STEPPER DRIVER DRIVER AND BRACKET ASSY, TWO PHASE | 1 |
| 13 | 7715275 | DRV M5 | M5 STEPPER DRIVER DRIVER AND BRACKET ASSY, TWO PHASE | 1 |
| SEE PL 6.3 FOR STEPPER MOTOR M3, M4 AND M5 POSITIONS | | | | |

PL 2.7. Frame Assembly- Sensors

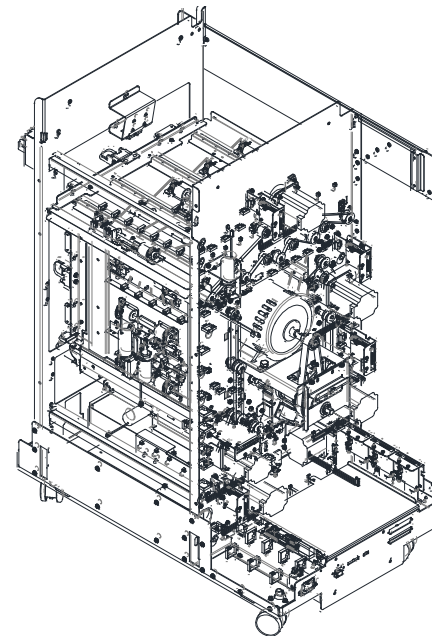


| ITEM | GBC Part # | | DESCRIPTION | QTY |
|------|------------|---------------------------------|--|-----|
| 1 | 7715627 | S1 | ENTRANCE SENSOR, S1 | 1 |
| 2 | 7715291 | S2 | ENTRANCE SENSOR, TOP | 1 |
| 3 | 7715291 | S3 | ENTRANCE SENSOR, MIDDLE | 1 |
| 4 | 7715291 | S4 | ENTRANCE SENSOR, BOTTOM | 1 |
| 5 | 7715291 | S5 | ACCEL SENSOR | 1 |
| 6 | 7715692 | S6 S7 S8 S9 S10 | SKEW SENSOR BOARD | 1 |
| 7 | 7718567 | S11 S12 S13 S14 S15 | ALIGNMENT SENSOR BOARD, SWITCHABLE | 1 |
| 8 | 7715696 | S16 S17 | BACKAGE SENSOR BOARD ASSY | 1 |
| 9 | 7715696 | S18 S19 | MID PUNCH LARGE, SENSOR BACKAGE SENSOR BOARD ASSY | 1 |
| 10 | 7715696 | S20 S21 | MID PUNCH X- LARGE, SENSOR BACKAGE SENSOR BOARD ASSY | 1 |
| 11 | 7715291 | S22 | EXIT SENSOR, BOTTOM | 1 |
| 12 | 7715291 | S23 | EXIT SENSOR, MIDDLE | 1 |
| 13 | 7715291 | S24 | EXIT SENSOR, TOP | 1 |
| 14 | 7715291 | S25 | EXIT SENSOR | 1 |
| 15 | 7715291 | S26 | BYPASS SENSOR, MIDDLE | 1 |
| 16 | 7715597 | S28 | ALIGN HOME SENSOR | 1 |
| 17 | 7711970 | S29 | CHIP LEVEL SENSOR - EMITTER | 1 |
| | 7711973 | S29 | CHIP LEVEL SENSOR - RECEIVER | 1 |
| 18 | 7715774 | S1B | CLEAR COVER SENSOR-EMITTER | 1 |
| | 7711973 | S1B | CLEAR COVER SENSOR-RECEIVER | 1 |

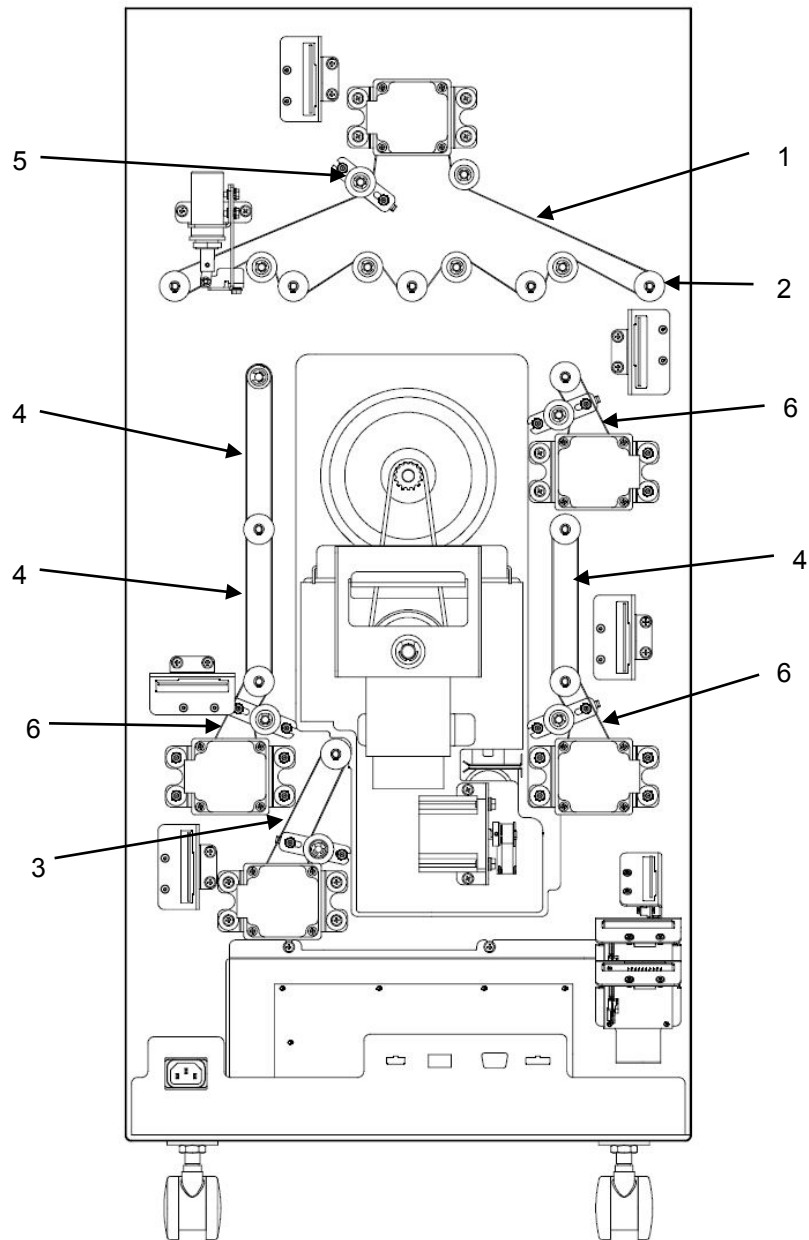
PL 2.8. Frame Assembly- Solenoids / Switches



| ITEM | GBC Part # | | DESCRIPTION | QTY |
|------|------------|-------|---------------------------------|-----|
| 1 | 7715813 | SOL 1 | DIVERTER SUBASSEMBLY | 1 |
| 2 | 7715020 | SOL 2 | PUNCH CLUTCH | 1 |
| 3 | 7724133 | SOL 3 | ENTRANCE IDLER SOLENOID, MIDDLE | 1 |
| 4 | 7724133 | SOL 4 | ENTRANCE IDLER SOLENOID, BOTTOM | 1 |
| 5 | 7724133 | SOL 5 | ACCELERATION ROLLER SOLENOID | 1 |
| 6 | 7724133 | SOL 6 | EXIT IDLER SOLENOID, BOTTOM | 1 |
| 7 | 7724133 | SOL 7 | EXIT IDLER SOLENOID, MIDDLE | 1 |
| 8 | 7724133 | SOL 8 | EXIT IDLER SOLENOID, TOP | 1 |
| 9 | 7610501 | SW1 | FRONT DOOR INTERLOCK SWITCH | 1 |
| 10 | 7715186 | SW2 | CHIP TRAY HOME SWITCH ASSEMBLY | 1 |



PL 2.9. Frame Assembly- Belts

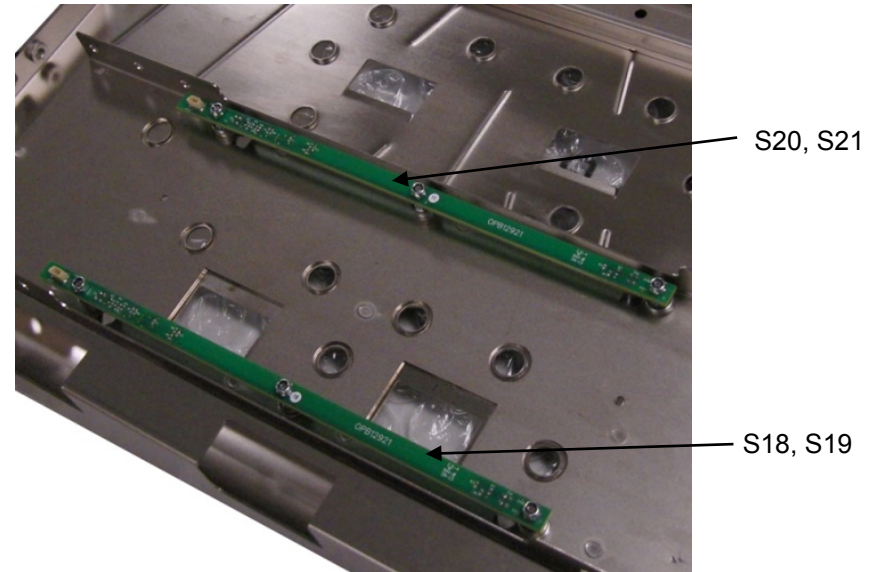
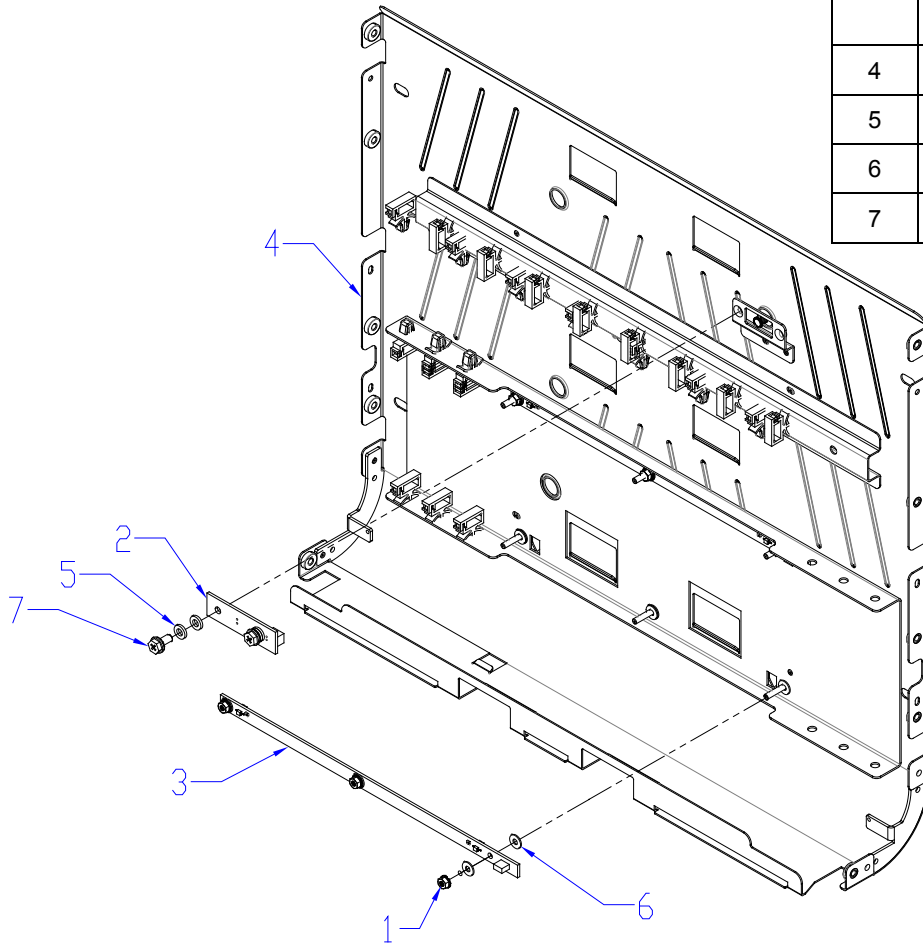


| ITEM | GBC Part # | DESCRIPTION | QTY |
|------|------------|---------------------------|-----|
| 1 | 7715202 | BELT, 534T, 2MM 2GT | 1 |
| 2 | 7715204 | PULLEY,TIMING,2MM 2GT,30T | 14 |
| 3 | 7715206 | BELT, 179T, 2MM 2GT | 1 |
| 4 | 7715243 | BELT, 150 T, 2MM 2GT | 3 |
| 5 | 7715245 | TENSIONER ASSEMBLY | 5 |
| 6 | 7715246 | BELT, 134T, 2MM 2GT | 3 |

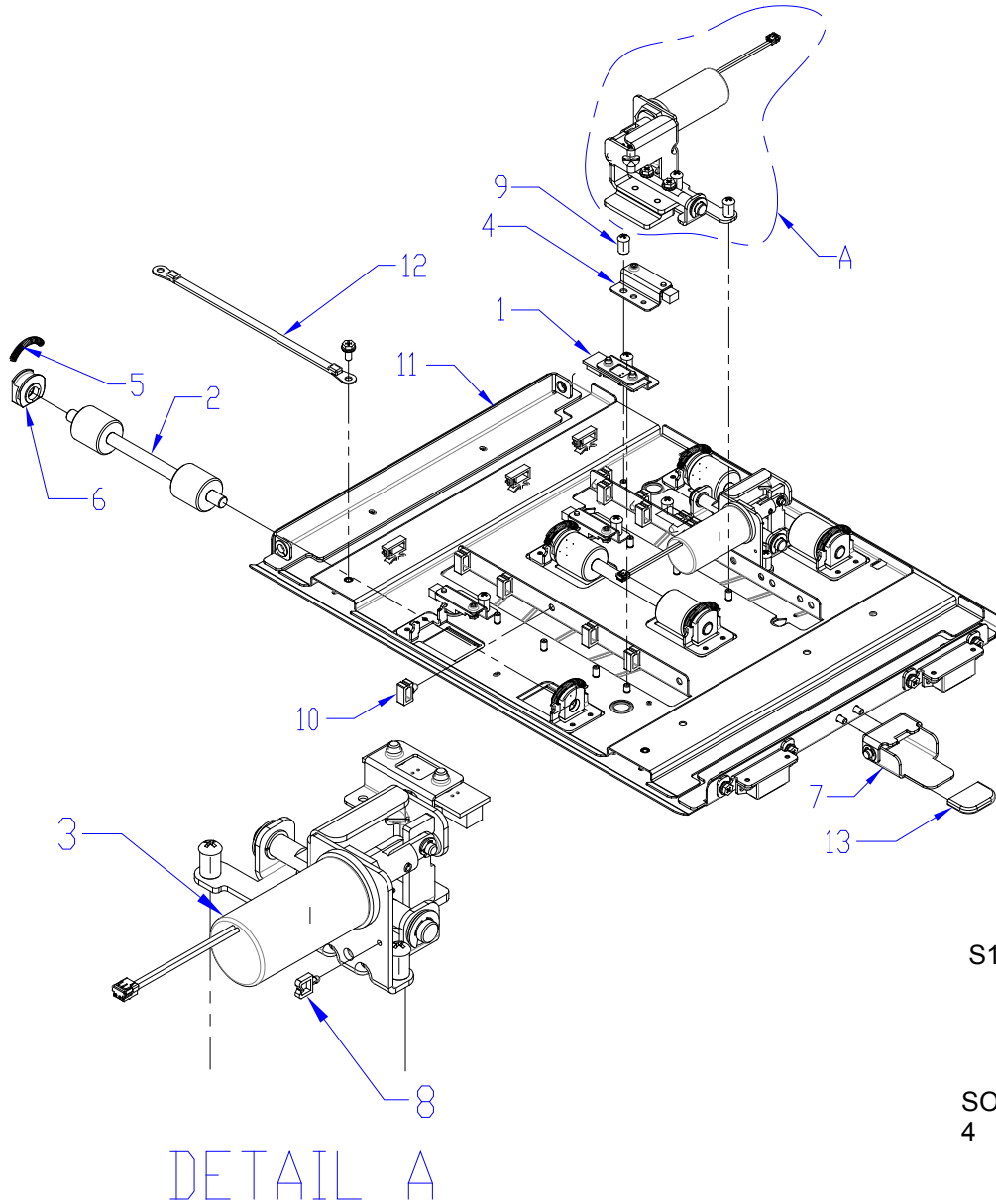
Paper Path

PL 3.1. Paper Path- Entrance Drive Panel

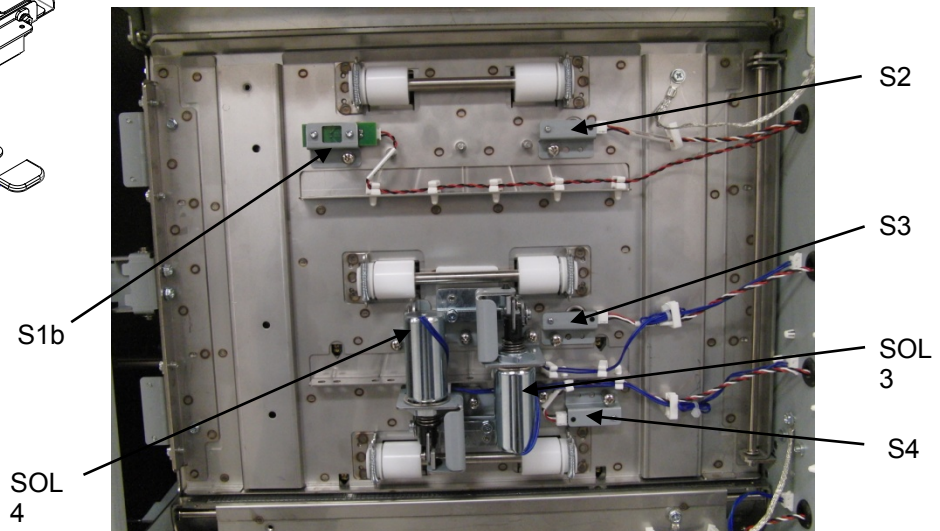
| ITEM | GBC Part # | | DESCRIPTION | QTY |
|------|------------|------------|--|-----|
| 1 | 1824002 | | NUT, KEPS, M3 | 6 |
| 2 | 7711973 | | RECEIVER | 1 |
| 3 | 7715696 | S18 S19 | MID PUNCH, LARGE, SENSOR BOARD BOARD ASSY, BACKGAGE SENSOR | 1 |
| | 7715696 | S20 S21 | MID PUNCH, X LARGE, SENSOR BOARD BOARD ASSY, BACKGAGE SENSOR | 1 |
| 4 | 7715871 | | PANEL WLDMNT,DRIVE,ENTRANCE,SERVICE | 1 |
| 5 | 1822108 | | WASHER, FLAT, 4.1X 8X1.5 | 4 |
| 6 | 1822117 | | WASHER, 3.2ID, 8OD, 0.75MM THICK | 12 |
| 7 | 1823903 | | SCREW, PHILLIPS, HX HD M4X8 | 2 |



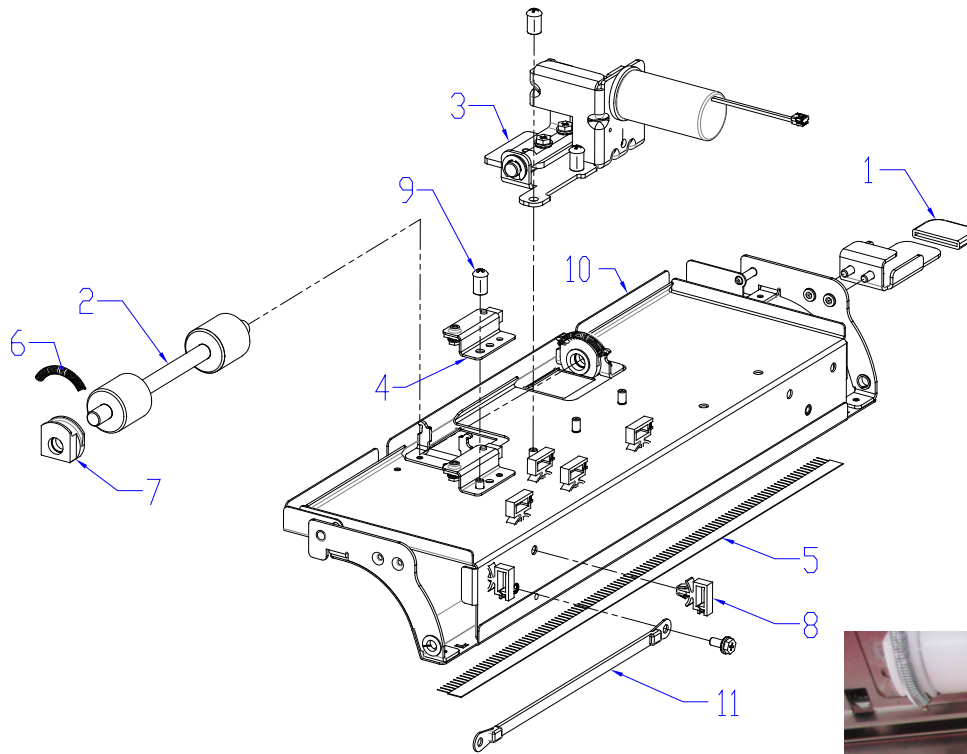
PL 3.2. Paper Path- Entrance Idler Panel



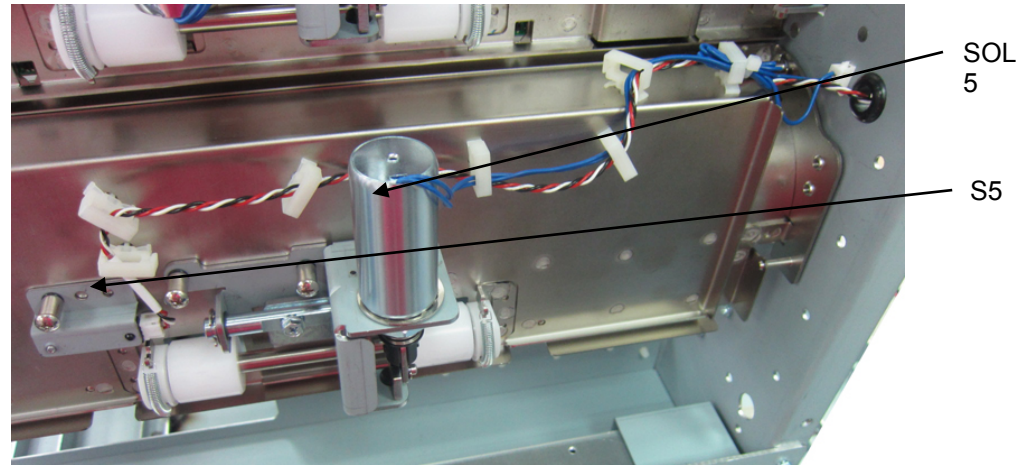
| ITEM | GBC Part # | | DESCRIPTION | QTY |
|------|------------|----------------|------------------------------------|-----|
| 1 | 7711970 | S1b | EMITTER | 1 |
| 2 | 7715103 | | ROLLER ASSY, IDLER | 3 |
| 3 | 7724133 | SOL3 SOL4 | MODULE,SOLENOID,DISENGAGING ROLLER | 2 |
| 4 | 7715291 | S2 S3 S4 | SENSOR AND BRACKET ASSY | 3 |
| 5 | 7717410 | | SPRING,TRANSPORT IDLR ROLLER | 6 |
| 6 | 7715382 | | BEARING HOUSING | 6 |
| 7 | 7715384 | | HANDLE ASSY, IDLER PANELS | 1 |
| 8 | 7715625 | | WIRE SADDLE, SHORT | 2 |
| 9 | 7715629 | | SCREW, BARREL, M4, 7MM DEEP | 13 |
| 10 | 7715639 | | WIRE SADDLE,SMALL,SIDE OPEN | 11 |
| 11 | 7715873 | | PANEL WLDMT,IDLER,ENTRY | 1 |
| 12 | 7714679 | | GROUND STRAP, M4 | 1 |
| 13 | 7708163 | | CAP, RUBBER | 1 |



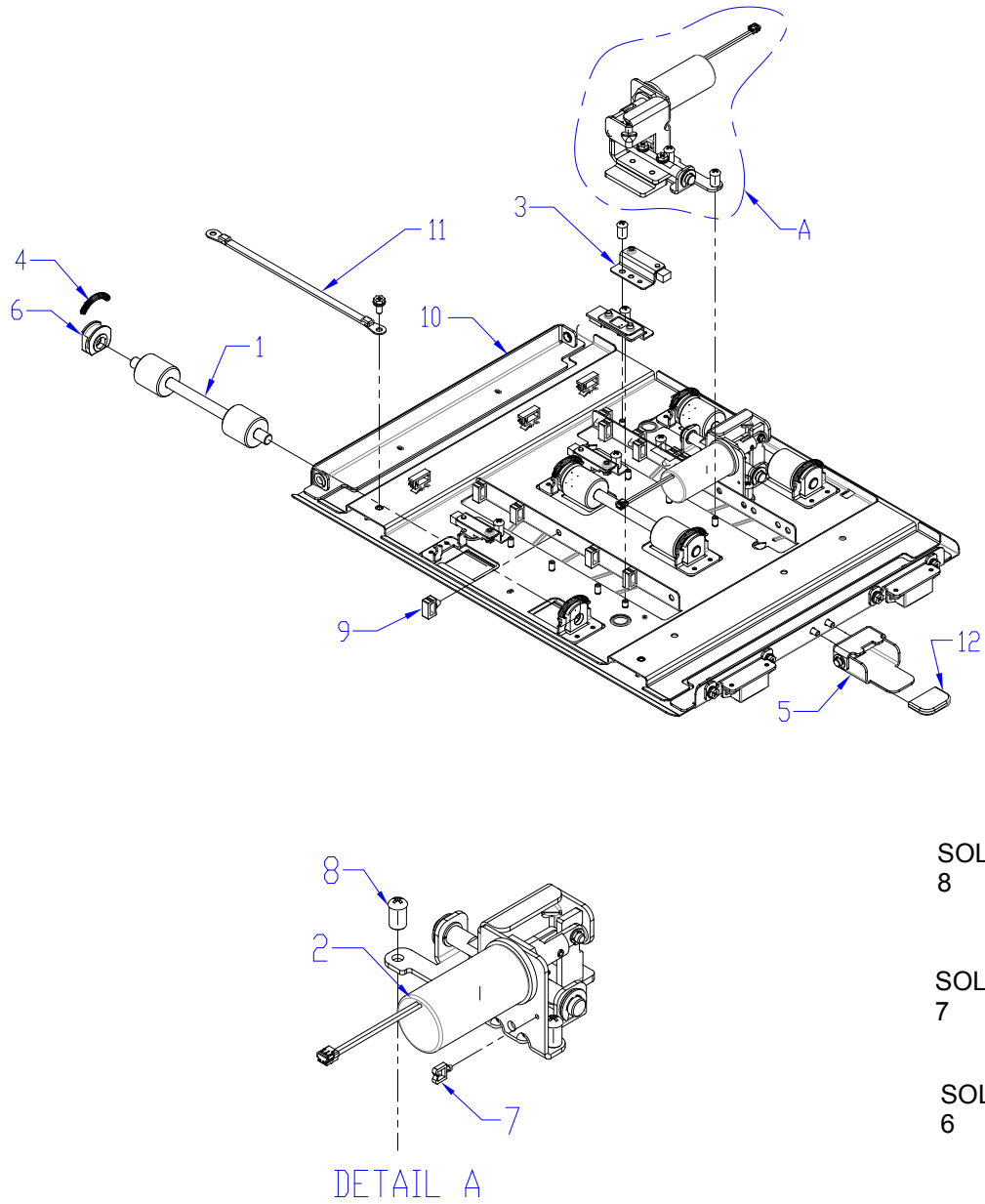
PL 3.3. Paper Path- Acceleration Roller Idler



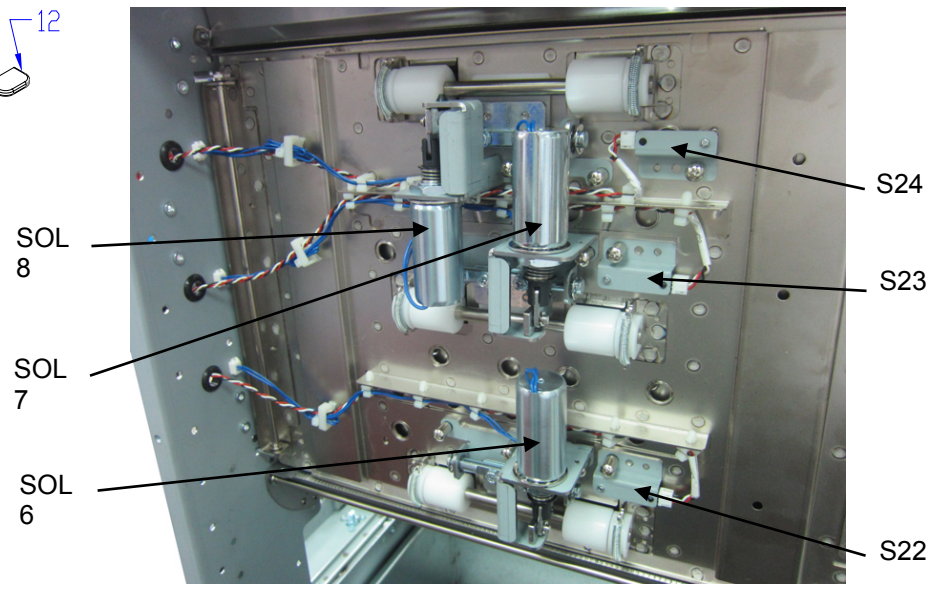
| ITEM | GBC Part # | | DESCRIPTION | QTY |
|------|------------|------|--------------------------------------|-----|
| 1 | 7708163 | | CAP, RUBBER | 1 |
| 2 | 7715103 | | ROLLER ASSY, IDLER | 1 |
| 3 | 7724133 | SOL5 | MODULE, SOLENOID, DISENGAGING ROLLER | 1 |
| 4 | 7715291 | S5 | SENSOR AND BRACKET ASSY | 1 |
| 5 | 7718593 | | BRUSH, ANTI STATIC | 1 |
| 6 | 7717410 | | SPRING, TRANSPORT IDLR ROLLER | 2 |
| 7 | 7715382 | | BEARING HOUSING ASSY | 2 |
| 8 | 7715817 | | WIRE SADDLE, SMALL | 5 |
| 9 | 7715629 | | SCREW, BARREL, M4, 7MM DEEP | 4 |
| 10 | 7715875 | | PANEL WLDMNT, IDLER, ACCEL | 1 |
| 11 | 7714679 | | GROUND STRAP, M4 | 1 |



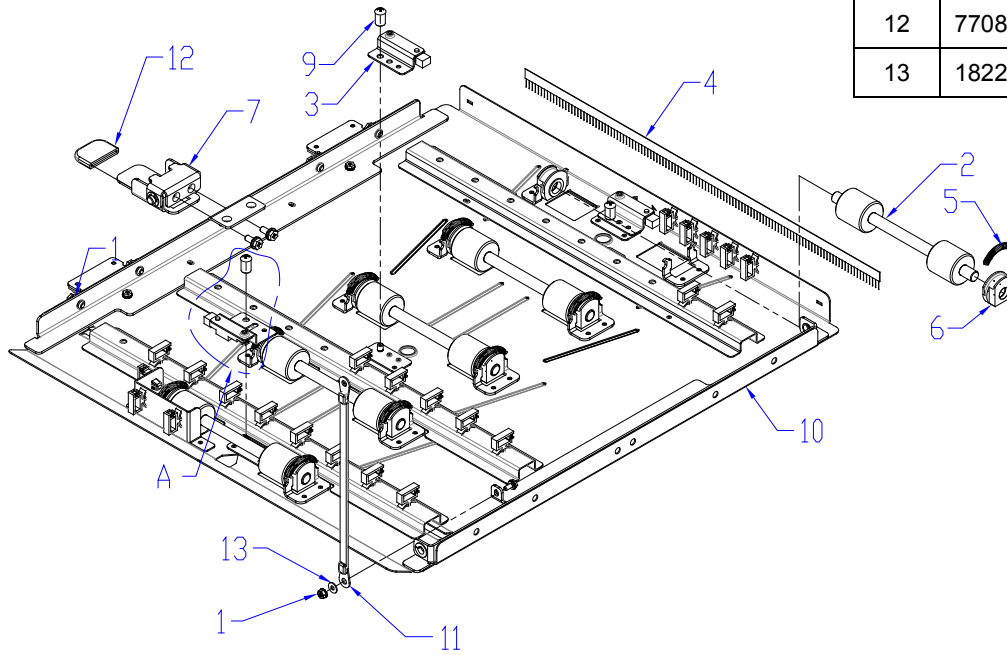
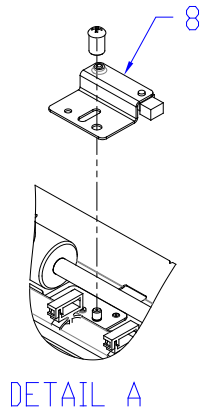
PL 3.4. Paper Path- Exit Idler Panel



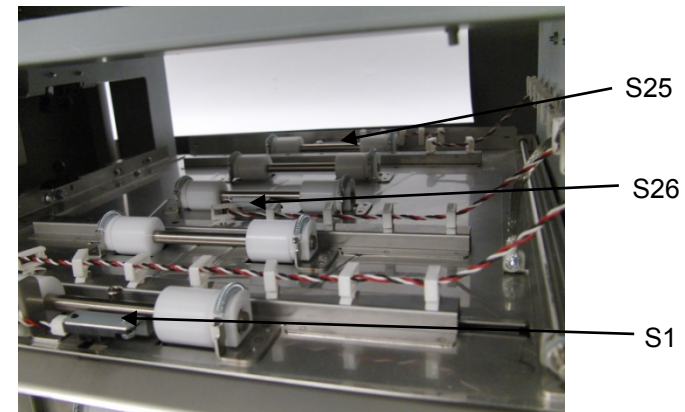
| ITEM | GBC Part # | | DESCRIPTION | QTY |
|------|------------|----------------------|--------------------------------------|-----|
| 1 | 7715103 | | ROLLER ASSY, IDLER | 3 |
| 2 | 7724134 | SOL6 SOL7 SOL8 | MODULE, SOLENOID, DISENGAGING ROLLER | 3 |
| 3 | 7715291 | S22 S23 S24 | SENSOR AND BRACKET ASSY | 3 |
| 4 | 7717410 | | SPRING, TRANSPORT IDLER ROLLERS | 6 |
| 5 | 7715384 | | HANDLE ASSY, IDLER PANELS | 1 |
| 6 | 7715382 | | BEARING HOUSING ASSY | 6 |
| 7 | 7715625 | | WIRE SADDLE, SHORT | 3 |
| 8 | 7715629 | | SCREW, BARREL, M4, 7MM DEEP | 12 |
| 9 | 7715639 | | WIRE SADDLE, SM, SIDE OPEN | 8 |
| 10 | 7715874 | | PANEL WELDMENT, IDLER, EXIT | 1 |
| 11 | 7714679 | | GROUND STRAP, M4 | 1 |
| 12 | 7708163 | | CAP, RUBBER | 1 |



PL 3.5. Paper Path- Upper Bypass Panel

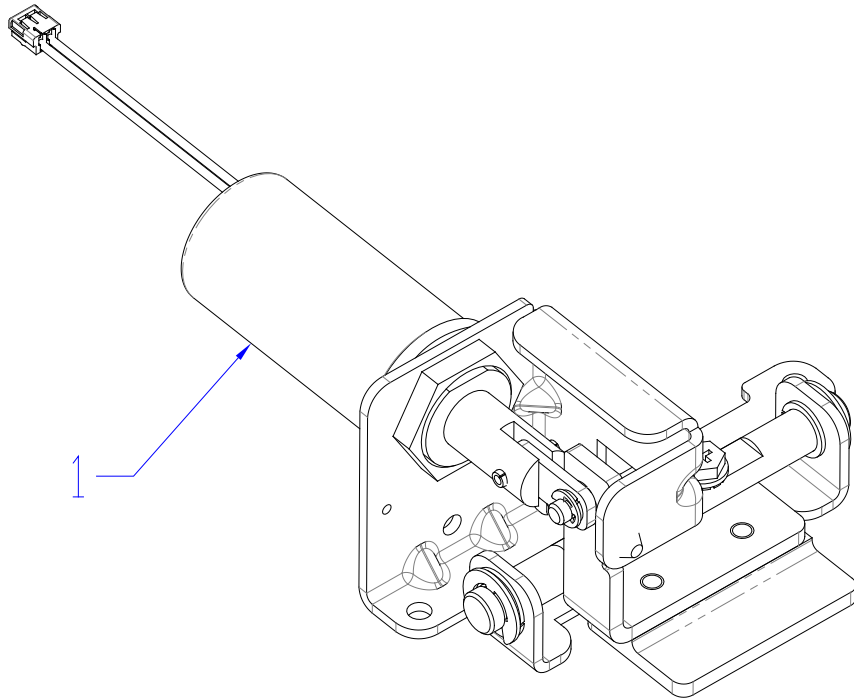


| ITEM | GBC Part # | | DESCRIPTION | QTY |
|------|------------|------------|----------------------------------|-----|
| 1 | 1824002 | | NUT, KEPS, M3 | 1 |
| 2 | 7715103 | | ROLLER ASSY, IDLER | 5 |
| 3 | 7715291 | S25 S26 | SENSOR AND BRACKET ASSEMBLY | 2 |
| 4 | 7718594 | | BRUSH, ANTI-STATIC | 1 |
| 5 | 7717410 | | SPRING, TRANSPORT IDLER ROLLER | 10 |
| 6 | 7715382 | | BEARING HOUSING ASSY | 10 |
| 7 | 7715384 | | HANDLE ASSY, IDLER PANELS | 1 |
| 8 | 7715627 | S1 | SENSOR AND BRACKET ASSY,S1 | 1 |
| 9 | 7715629 | | SCREW, BARREL, M4, 7MM DEEP | 3 |
| 10 | 7715872 | | PANEL WELDMENT, BYPASS, UPPER | 1 |
| 11 | 7714679 | | GROUND STRAP, M4 | 1 |
| 12 | 7708163 | | CAP, RUBBER | 1 |
| 13 | 1822117 | | WASHER, 3.2ID, 8OD, 0.75MM THICK | 1 |



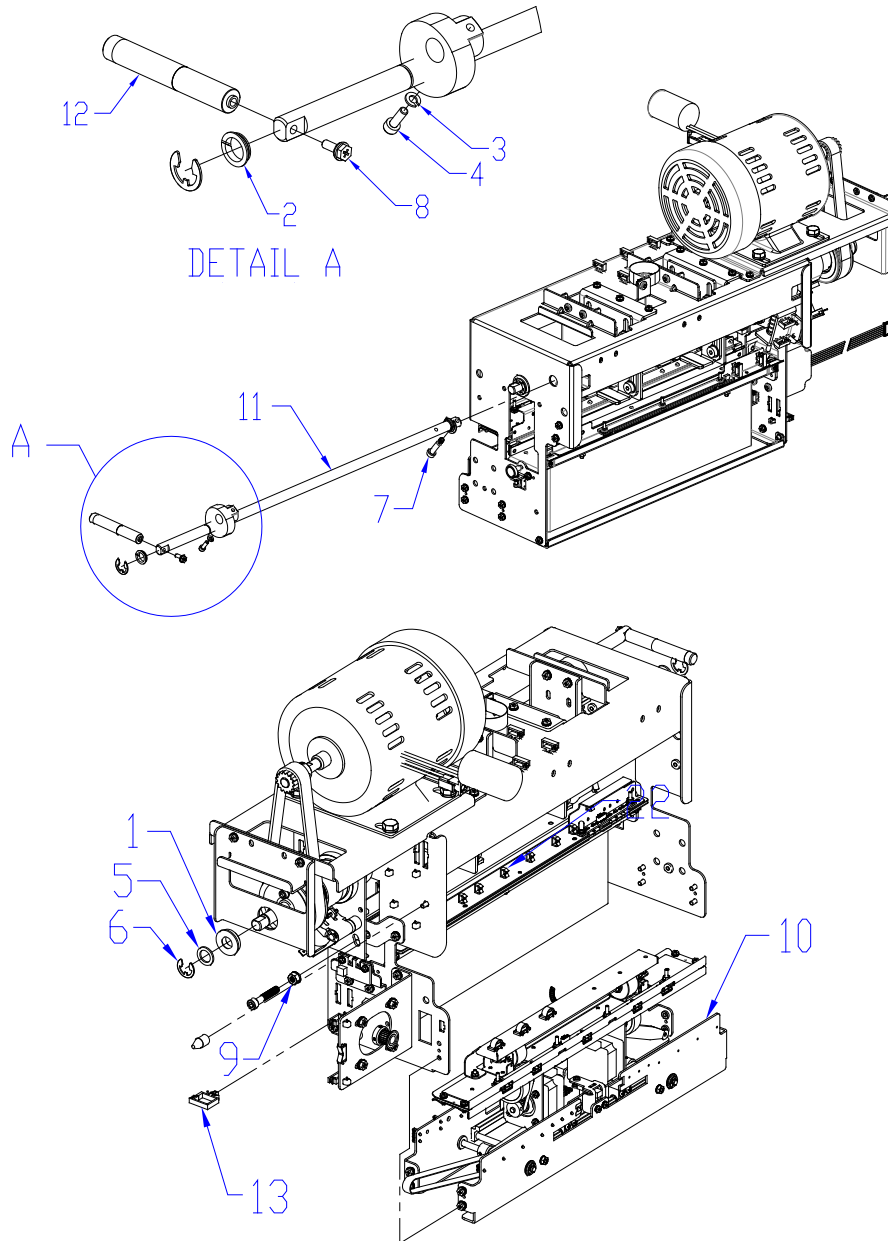
PL 3.6. Paper Path- Disengaging Roller Solenoid

| ITEM | GBC Part # | | Description | QTY |
|------|------------|--|---|-----|
| 1 | 7724134 | SOL 3 SOL 4 SOL 5 SOL 6 SOL 7 SOL 8 | MODULE, SOLENOID, DISENGAGING ROLLER | 6 |

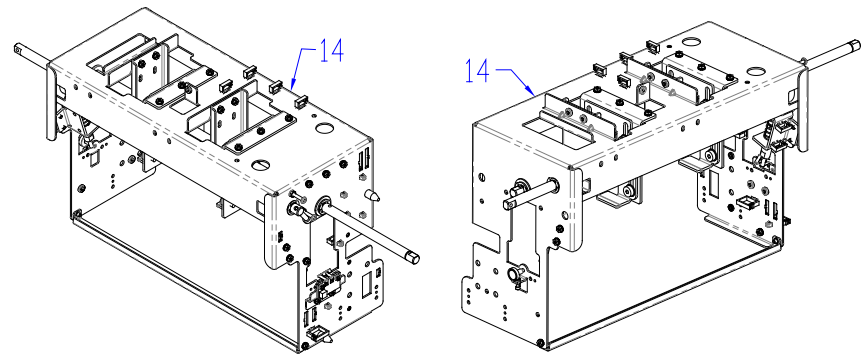


Punch Module

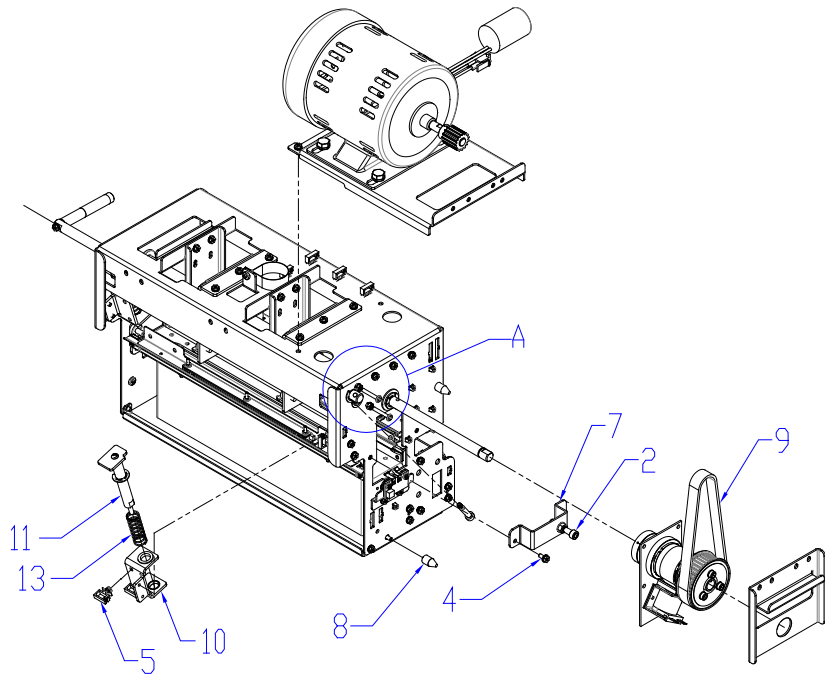
PL 4.1. Punch Module



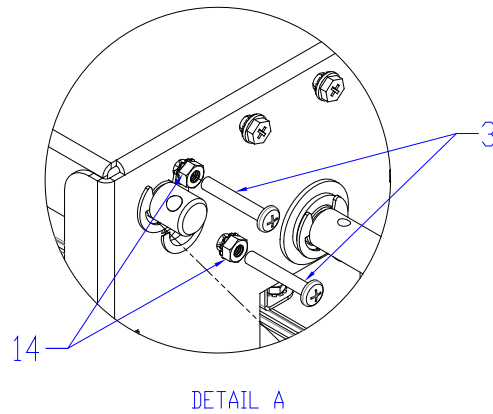
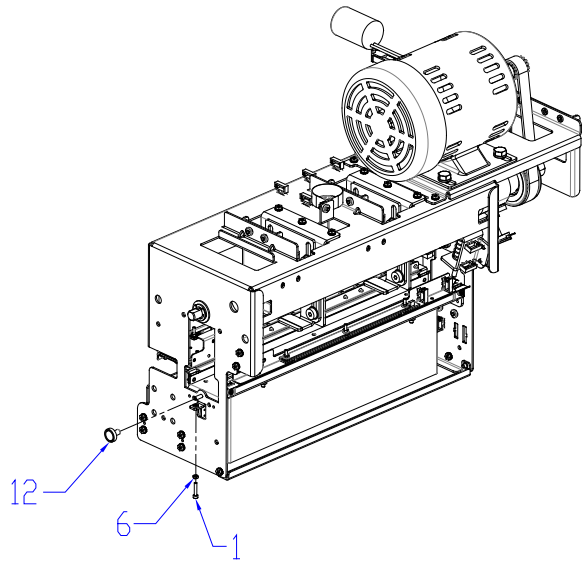
| ITEM | GBC Part # | | DESCRIPTION | QTY |
|------|------------|------|------------------------------------|-----|
| | 7723650 | 115V | PUNCH MODULE, ASSY, 115V | 1 |
| | 7723651 | 230V | PUNCH MODULE, ASSY, 230V | 1 |
| 1 | 1821118 | | BEARING,BALL,FLANGE,12X24X6,SUJ2 | 3 |
| 2 | 1821215 | | BEARING, CLIP, 12MM | 2 |
| 3 | 1821802 | | Spring washer M4 | 2 |
| 4 | 1821532 | | SCREW, SHCS, M4 X 12 | 2 |
| 5 | 1822016 | | WASHER,NYLON, ID12.7, OD19, 1.5THK | 2 |
| 6 | 1822205 | | E-RING, JE-10 | 5 |
| 7 | 1823203 | | SCREW, SOCKET, M5, 6MM SHOULDER | 1 |
| 8 | 1823911 | | SCREW, PHILLIPS W/SEMS M4X10 | 1 |
| 9 | 1824003 | | NUT, KEPS, M6 | 1 |
| 10 | 7715033 | | STEERING MODULE SUB ASSY | 1 |
| 11 | 7715237 | | SHAFT, DIE LOCK | 1 |
| 12 | 7715368 | | HANDLE, DIE LOCK | 1 |
| 13 | 7715818 | | WIRE SADDLE,MEDIUM,LOCK TOP,V-0 | 1 |
| 14 | 7715886 | | PUNCH MODULE SHELL, SERVICE | 1 |



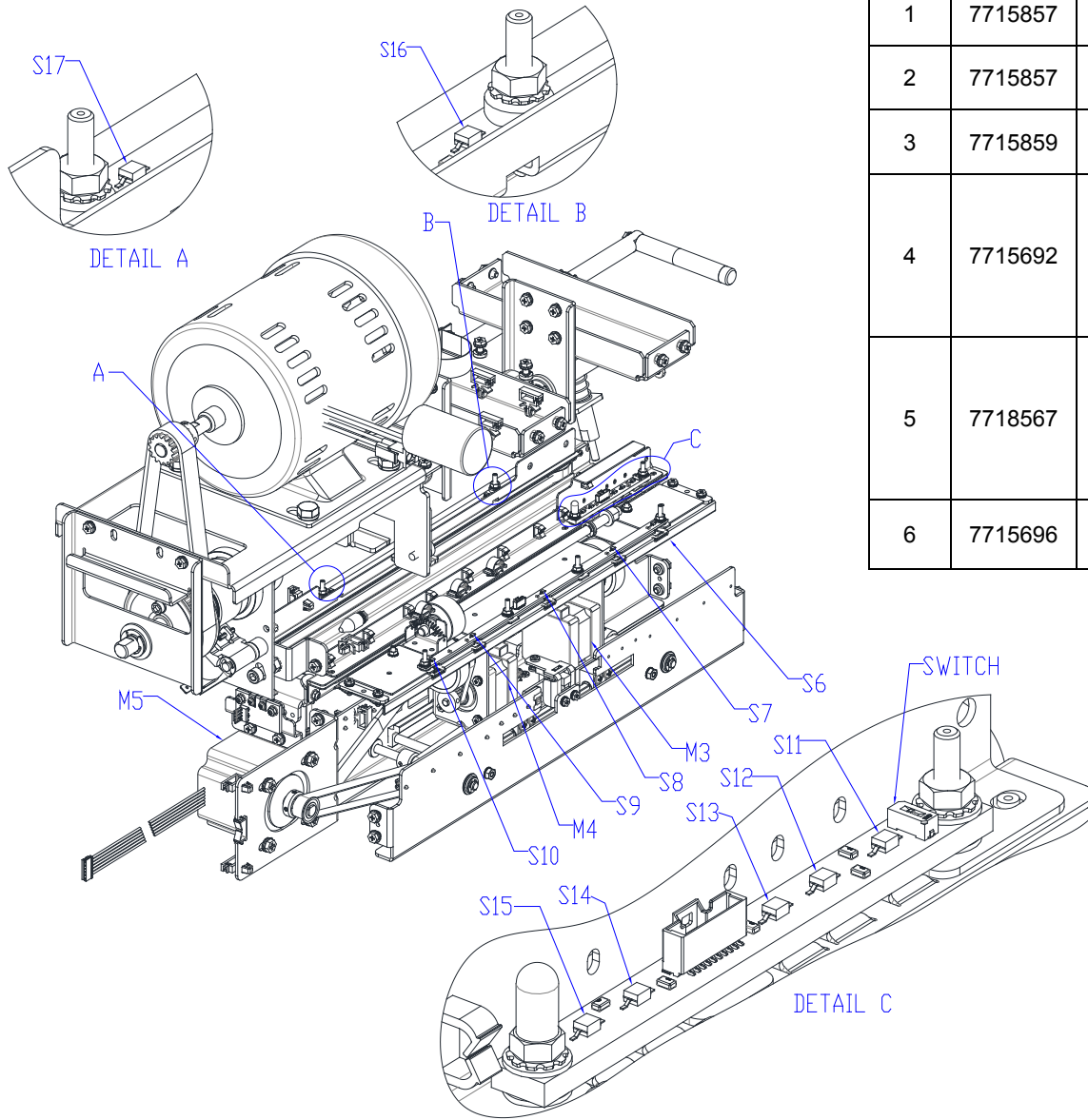
PL 4.2. Punch Module (continued)



| ITEM | GBC Part # | | DESCRIPTION | QTY |
|------|------------|------|----------------------------------|-----|
| 1 | 1821514 | | SHCS, M3X12 | 1 |
| 2 | 1821541 | | SCREW, SOCKET HD,M6,35MM LONG | 1 |
| 3 | 1821655 | | SCREW, PHILLIPS, PAN HD, M4X25 | 2 |
| 4 | 1823903 | | SCREW, PHILLIPS, HX HD M4X8 | 54 |
| 5 | 1825203 | | WIRE SADDLE, SNAP TYPE, SMALL | 2 |
| 6 | 1823701 | | NUT, HEX, M3 | 1 |
| 7 | 7715030 | | BRACKET, CLUTCH STUD | 1 |
| 8 | 7715079 | | MOUNT PIN, PUNCH MODULE | 2 |
| 9 | 7715232 | 115V | BELT, TIMING, 82 GROOVE, 5MM HTD | 1 |
| | 7715372 | 230V | BELT, TIMING, 80 GROOVE, 5MM HTD | 1 |
| 10 | 7715238 | | BRACKET & BEARING ASSY,DIE LOCK | 2 |
| 11 | 7715239 | | PLUNGER & STRIPPER ASSY,DIE LOCK | 2 |
| 12 | 7715320 | | MAGNET, DIE STOP | 1 |
| 13 | 7715374 | | SPRING, DIE LOCK RETURN | 2 |
| 14 | 1824001 | | NUT, KEPS M4 | 2 |



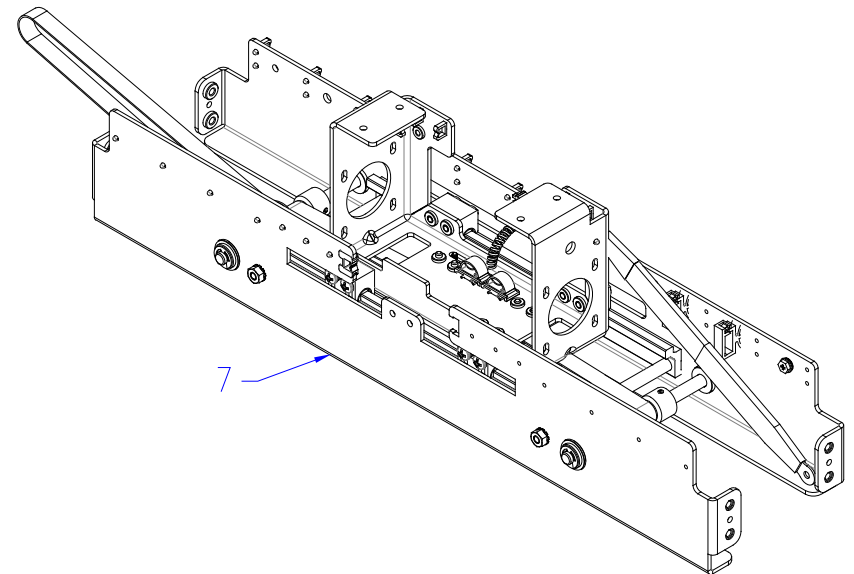
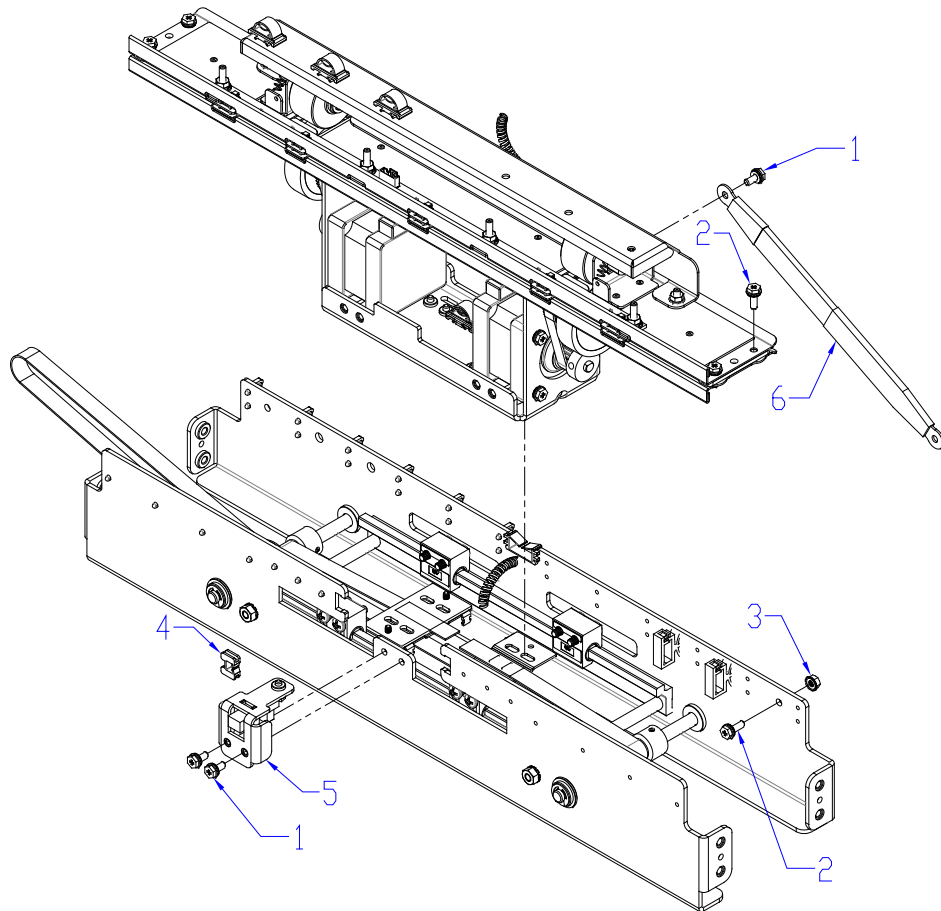
PL 4.3. Punch Module- Motors/Sensors



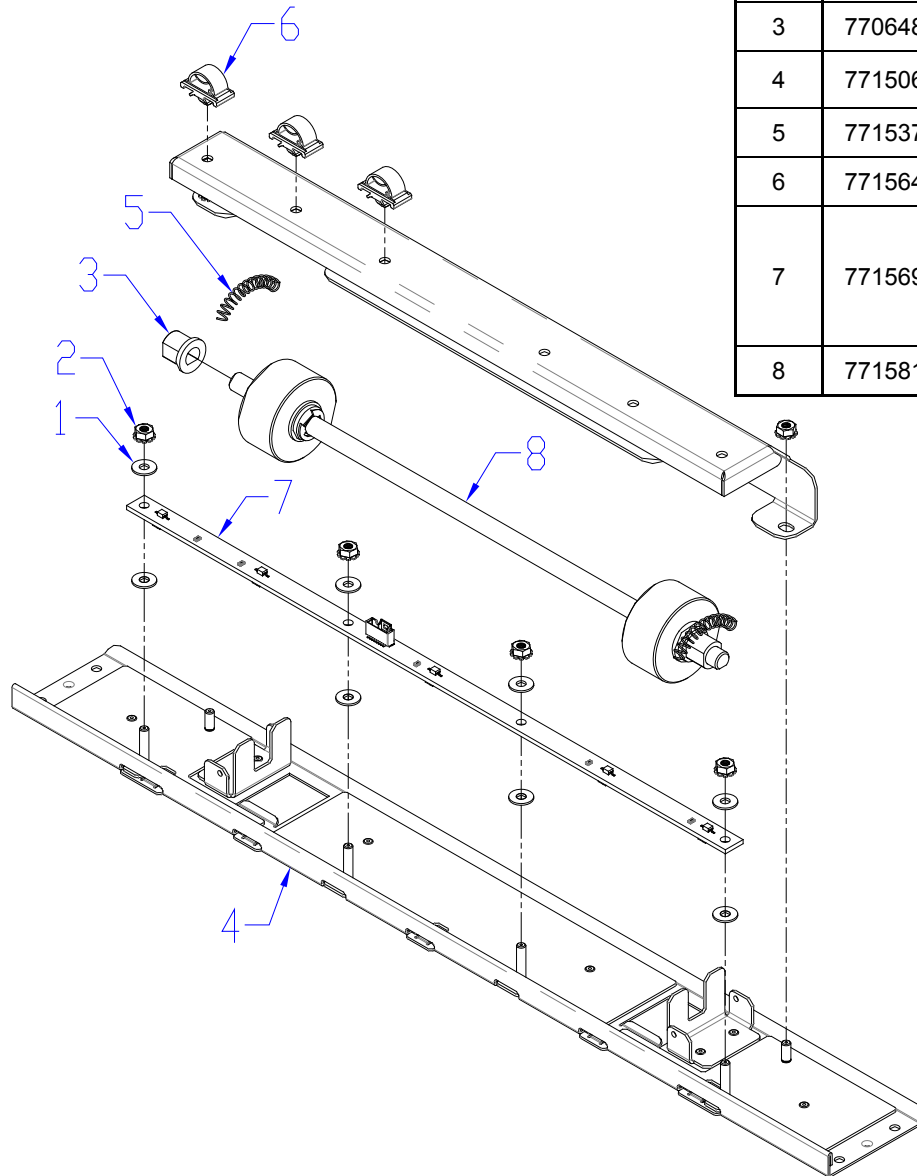
| ITEM | GBC Part # | | DESCRIPTION | QTY |
|------|------------|---------------------------------|---|-----|
| 1 | 7715857 | M3 | LEFT / FRONT STEERING MOTOR AND PULLEY. | 1 |
| 2 | 7715857 | M4 | RIGHT / REAR STEERING MOTOR AND PULLEY. | 1 |
| 3 | 7715859 | M5 | ALIGNMENT STEPPER MOTOR AND PULLEY. | 1 |
| 4 | 7715692 | S6 S7 S8 S9 S10 | SKEW SENSOR BOARD | 1 |
| 5 | 7718567 | S11 S12 S13 S14 S15 | ALIGNMENT SENSOR BOARD, SWITCHABLE | 1 |
| 6 | 7715696 | S16 S17 | BACKAGE SENSOR BOARD | 1 |

PL 4.4. Punch Module- Steering Module

| ITEM | GBC Part # | | DESCRIPTION | QTY |
|------|------------|-----|--------------------------------------|-----|
| 1 | 1823901 | | SCREW, PHILLIPS HX W/SEMS, M3X6 | 4 |
| 2 | 1823913 | | SCREW,PHILIPS-HEX LOCK, M3X8 | 4 |
| 3 | 1824002 | | NUT, KEPS, M3 | 1 |
| 4 | 7715445 | | WIRE CLAMP, EDGE, SMALL | 1 |
| 5 | 7715597 | S28 | SENSOR, VEIN, BRACKET, SUB ASSLY | 1 |
| 6 | 7715779 | | GROUND STRAP, STEERING CARRIAGE | 1 |
| 7 | 7715877 | | ALIGNMENT CARRIAGE,SUB ASSY, SERVICE | 1 |

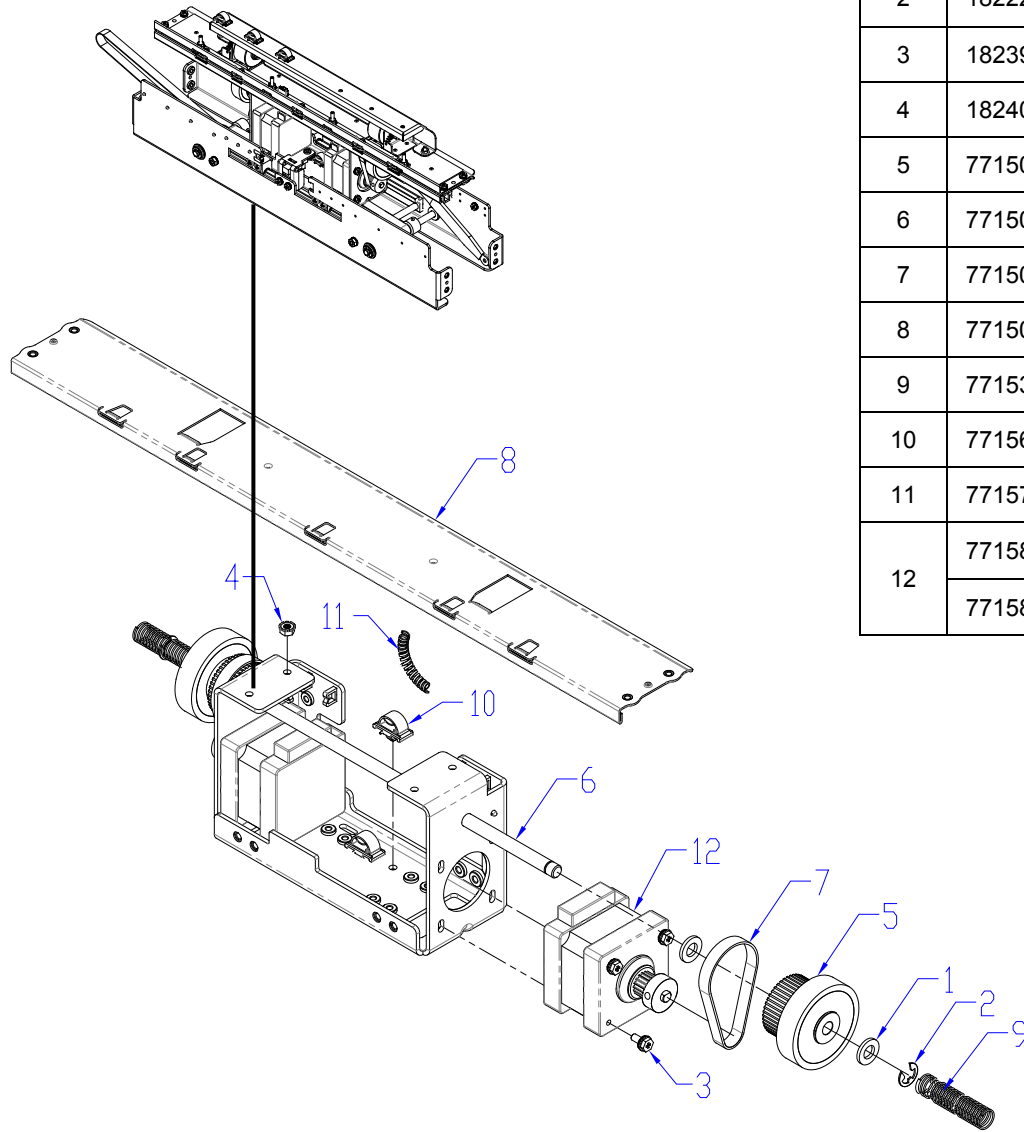


**PL 4.5. Punch Module- Steering Module - Steering Idler
Panel Sub Assembly**



| ITEM | GBC Part # | | DESCRIPTION | QTY |
|------|------------|-----------------------------|-----------------------------------|-----|
| 1 | 1822117 | | WASHER, 3.2ID, 8OD, 0.75MM THK | 8 |
| 2 | 1824002 | | NUT, KEPS, M3 | 6 |
| 3 | 7706488 | | BEARING, DOUBLE "D" FLANGE | 2 |
| 4 | 7715062 | | PANEL WELDMNT, IDLER, STEERING | 1 |
| 5 | 7715379 | | SPRING, STEERING IDLER ROLLER | 2 |
| 6 | 7715648 | | WIRE CLAMP, LOCKING | 3 |
| 7 | 7715692 | S6 S7 S8 S9 S10 | BOARD ASSY, SKEW SENSOR | 1 |
| 8 | 7715816 | | ROLLER ASSY, IDLER, STEERING | 1 |

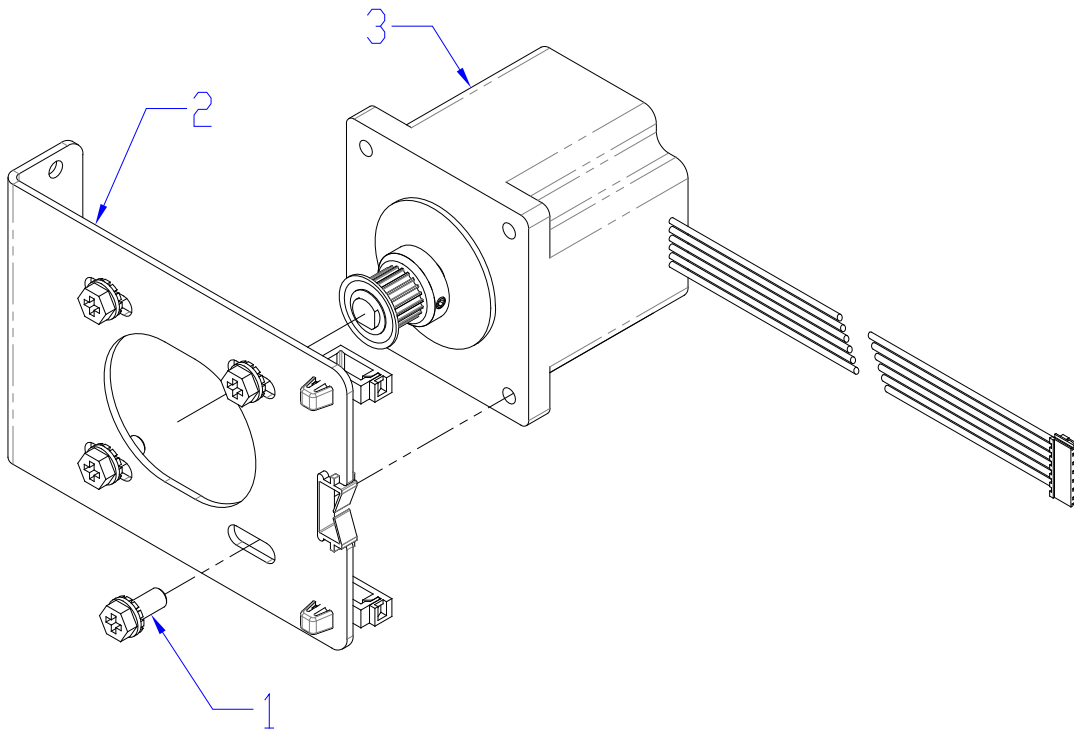
PL 4.6. Punch Module- Steering Module - Drive Panel Steering



| ITEM | GBC Part # | | DESCRIPTION | QTY |
|------|------------|----|---|-----|
| 1 | 1822008 | | WASHER, FLAT, 6.4X12X1.5 | 4 |
| 2 | 1822202 | | E-RING, JE-5 | 4 |
| 3 | 1823901 | | SCREW, PHILLIPS HX W/SEMS, M3X6 | 8 |
| 4 | 1824002 | | NUT, KEPS, M3 | 4 |
| 5 | 7715039 | | ROLLER ASSEMBLY, DRIVE, STEERING | 2 |
| 6 | 7715044 | | SHAFT, STEERING DRIVE | 1 |
| 7 | 7715047 | | BELT, STEERING, 65 GROOVES, 2MM 2GT | 2 |
| 8 | 7715053 | | PANEL WELDMENT, DRIVE, STEERING | 1 |
| 9 | 7715377 | | SPRING, STEERING DRIVE ROLLER | 2 |
| 10 | 7715648 | | WIRE CLAMP, LOCKING | 2 |
| 11 | 7715777 | | SLEEVE, SPIRAL, MOTOR WIRES | 1 |
| 12 | 7715857 | M3 | STEPPER MOTOR AND PULLEY, STEERING, SERVICE | 1 |
| | 7715857 | M4 | STEPPER MOTOR AND PULLEY, STEERING, SERVICE | 1 |

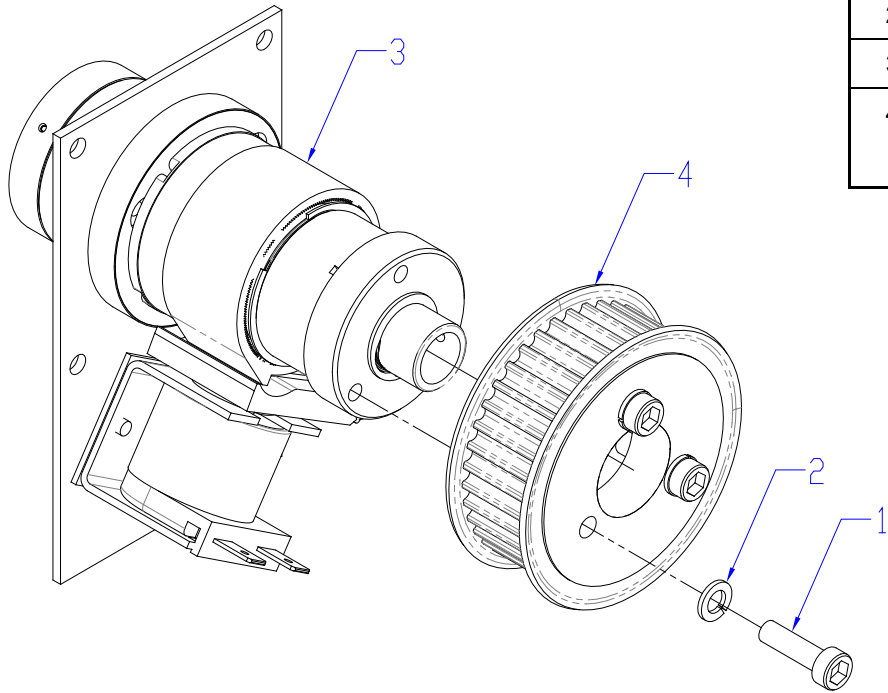
PL 4.7. Punch Module- Stepper Alignment Bracket

| ITEM | GBC Part # | | DESCRIPTION | QTY |
|------|------------|----|--|-----|
| 1 | 1823906 | | SCREW,PHILLIPS HX W/SEM M5X10 | 4 |
| 2 | 7715078 | | BRACKET,ALIGN STEPPER MOUNT | 1 |
| 3 | 7715859 | M5 | STEPPER MOTOR AND PULLEY, ALIGNMENT, SERVICE | 1 |



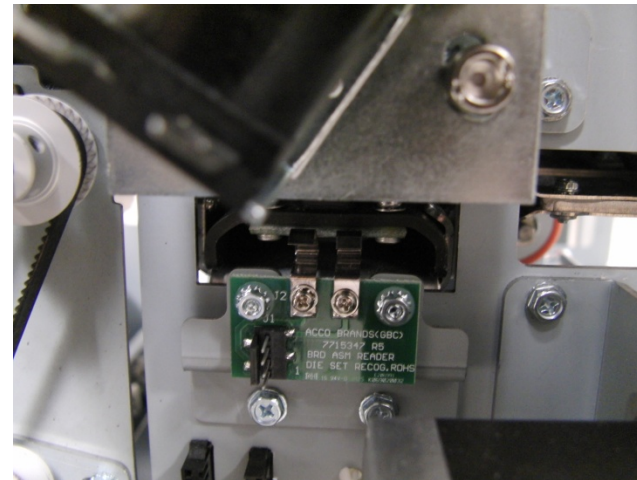
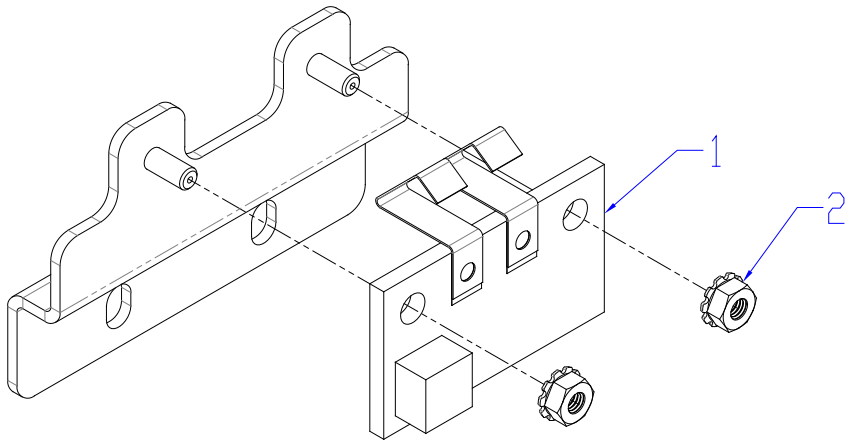
PL 4.8. Punch Module- Punch Clutch

| ITEM | GBC Part # | | DESCRIPTION | QTY |
|------|------------|------|-----------------------------|-----|
| 1 | 1821531 | | SCREW, SHCS, M5X18 | 3 |
| 2 | 1821801 | | WASHER, SPLIT LOCK, M5 | 3 |
| 3 | 7715020 | | CLUTCH, WRAP SPRING | 1 |
| 4 | 7715231 | 115V | PULLEY & FLANGE,5MM HTD,38T | 1 |
| | 7715371 | 230V | PULLEY & FLANGE,5MM HTD,34T | 1 |

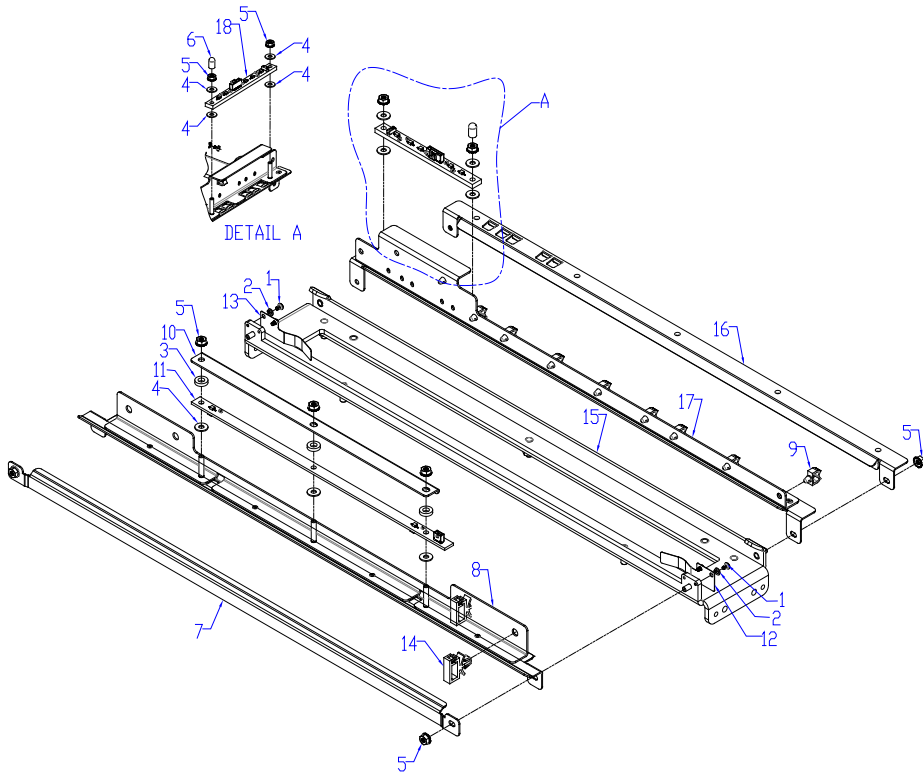


PL 4.9. Punch Module- Die Set Recognition Reader Board

| ITEM | GBC Part # | DESCRIPTION | QTY |
|------|------------|------------------------------------|-----|
| 1 | 7715347 | BOARD, READER, DIE SET RECOGNITION | 1 |
| 2 | 1824002 | NUT, KEPS, M3 | 2 |

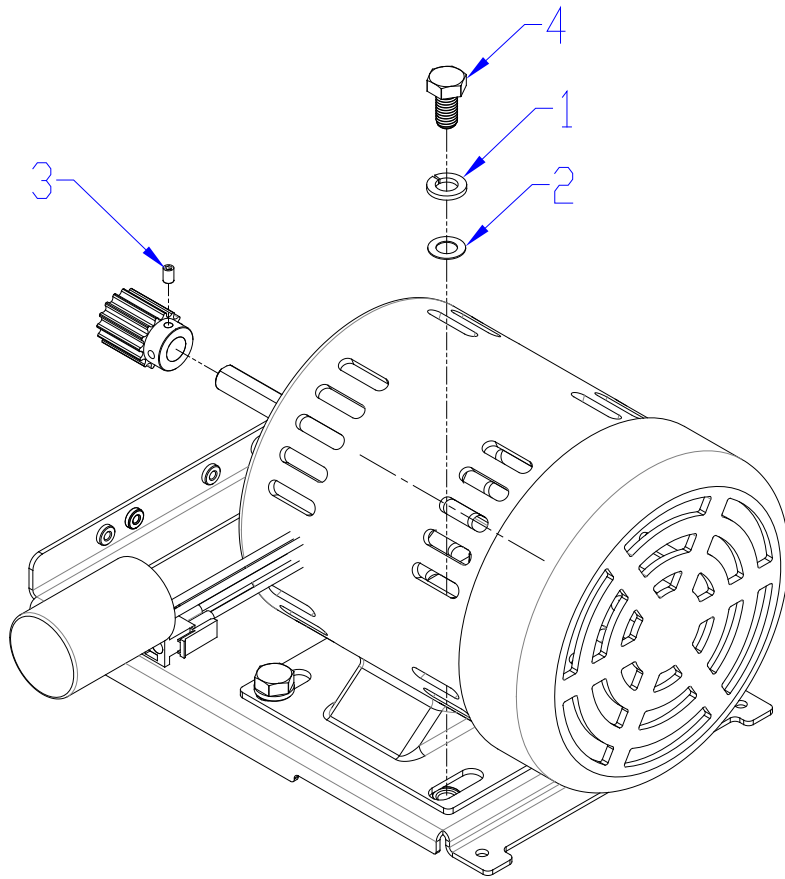


PL 4.10. Punch Module- Die Rail, Backgage, Align Sensors, Sub Assembly

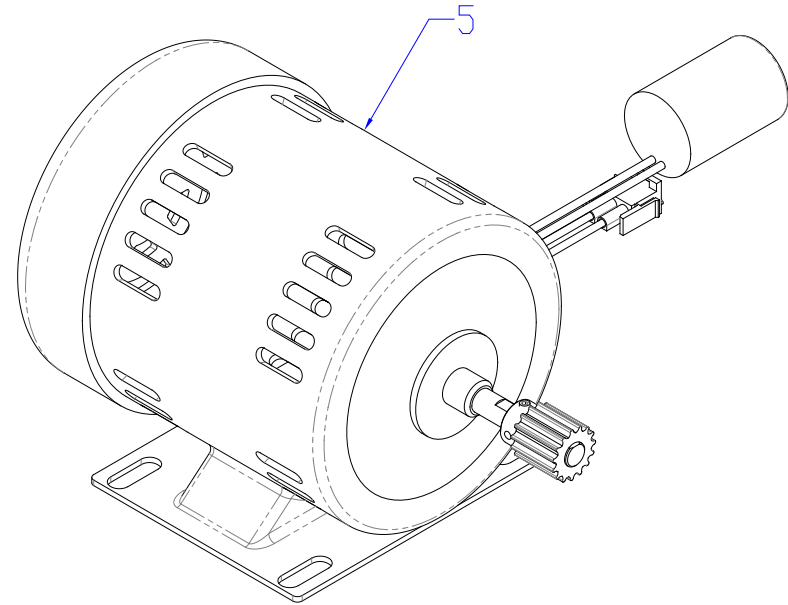


| ITEM | GBC Part # | | DESCRIPTION | QTY |
|------|------------|---------------------------------|--|-----|
| 1 | 1821610 | | SCREW, PHILLIPS, PAN HD, M2, 3MM | 4 |
| 2 | 1821808 | | LOCK WASHER, SPLIT, M2 | 4 |
| 3 | 1822114 | | WASHER, FLAT, 4.1x8x2 | 3 |
| 4 | 1822117 | | WASHER, 3.2ID, 8OD, 0.75MM THK. | 7 |
| 5 | 1824002 | | NUT, KEPS, M3 | 9 |
| 6 | 7708814 | | CAP, RUBBER, 1/8 X 1/4 X .040 | 1 |
| 7 | 7715032 | | BRACKET, BACKGAGE SENSOR, LOWER | 1 |
| 8 | 7715080 | | BRACKET WLDMNT, BACKGAGE SENSOR | 1 |
| 9 | 7715640 | | WIRE SADDLE, SHORT, ALIGN SENSOR WIRES | 9 |
| 10 | 7715645 | | COVER, BACKGAGE SENSOR | 1 |
| 11 | 7715787 | S16 S17 | BOARD ASSY, BACKGAGE SENSOR | 1 |
| 12 | 7715799 | | SPRING, DIE RAIL, POSITION, 1 | 1 |
| 13 | 7715817 | | SPRING, DIE RAIL, POSITION, 2 | 1 |
| 14 | 7715986 | | WIRE SADDLE, SMALL, LOCKING TOP, V-0 | 2 |
| 15 | 7715988 | | DIE RAIL, ASSEMBLY | 1 |
| 16 | 7715990 | | GUIDE, ALIGNMENT SENSOR, BOTTOM | 1 |
| 17 | 7715787 | | BRACKET WLDMNT, ALIGNMENT SENSOR | 1 |
| 18 | 7718567 | S11 S12 S13 S14 S15 | BOARD ASSY, ALIGNMENT SENSOR, SWITCHABLE | 1 |

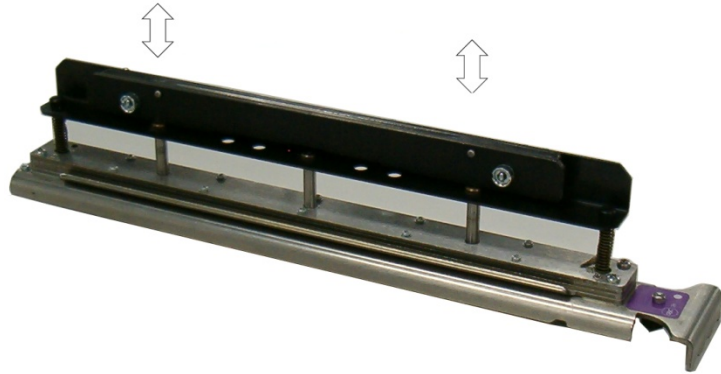
PL 4.11. Punch Module- AC Motor



| ITEM | GBC Part # | | DESCRIPTION | QTY |
|------|------------|------|--|-----|
| 1 | 1821807 | | WASHER, SPLIT LOCK, M8 | 4 |
| 2 | 1822113 | | WASHER, FLAT, 8X14X0.5 | 4 |
| 3 | 1823602 | | SET SCREW, NYLON PATCH, M4X6 | 1 |
| 4 | 1824703 | | SCREW, HEX CAP, M8, 16MM LONG | 4 |
| 5 | 7724220 | 115V | MOTOR AND PULLEY, PUNCH, 115V, SERVICE | 1 |
| | 7724221 | 230V | MOTOR AND PULLEY, PUNCH, 230V, SERVICE | 1 |



Die Sets



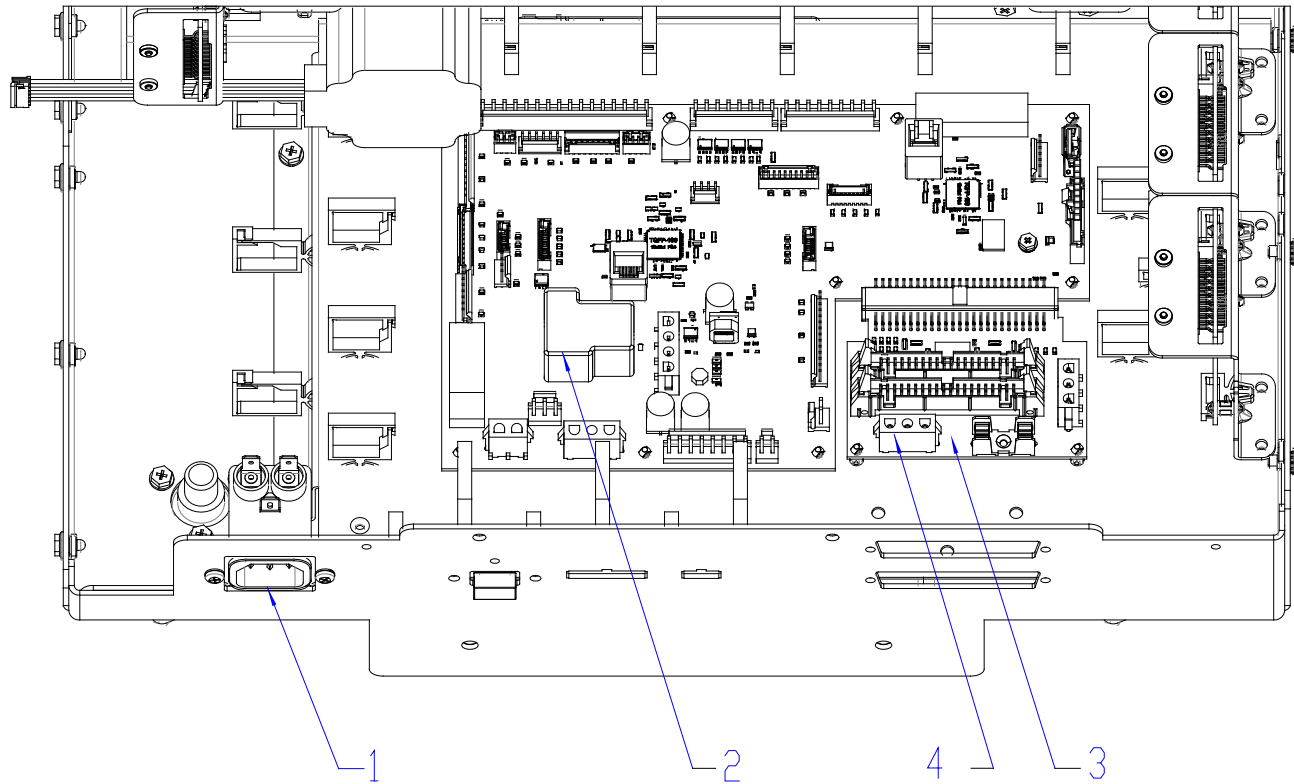
ORDER THESE DIE-SETS THROUGH KONINCA MINOLTA SUPPLIES

| ITEM | | DESCRIPTION |
|------|---------|------------------------------|
| 1 | 7723470 | DIE, Coil, Rnd |
| 2 | 7723471 | DIE, Wire 2:1, Rnd |
| 3 | 7723472 | DIE, Wire 3:1, Rnd |
| 4 | 7723473 | DIE, 3 Hole, 8mm |
| 5 | 7723474 | DIE, 3/5/7 Hole, 8mm |
| 6 | 7723475 | DIE, 4 Hole, 8mm |
| 7 | 7723476 | DIE, 4 Hole, 6.5mm |
| 8 | 7723477 | DIE, 4 Hole Scan |
| 9 | 7723478 | DIE, VeloBind®, 11 Hole, Ltr |
| 10 | 7723479 | DIE, VeloBind®, 12 Hole, A4 |
| 11 | 7723480 | DIE, CombBind |
| 12 | 7723481 | DIE, Wire 2:1, Sq |
| 13 | 7723482 | DIE, Wire 3:1, Sq |
| 14 | 7723483 | DIE, Coil, Oval |
| 15 | 7723484 | DIE, eWire 3:1, Rnd |
| 16 | 7723485 | DIE, eWire 3:1, Sq |
| 17 | 7723486 | DIE, Coil, Rnd, 47H HD |
| 18 | 7723487 | DIE, 3 Hole, 8mm, HD |
| 19 | 7723488 | DIE, CombBind, 21H HD |

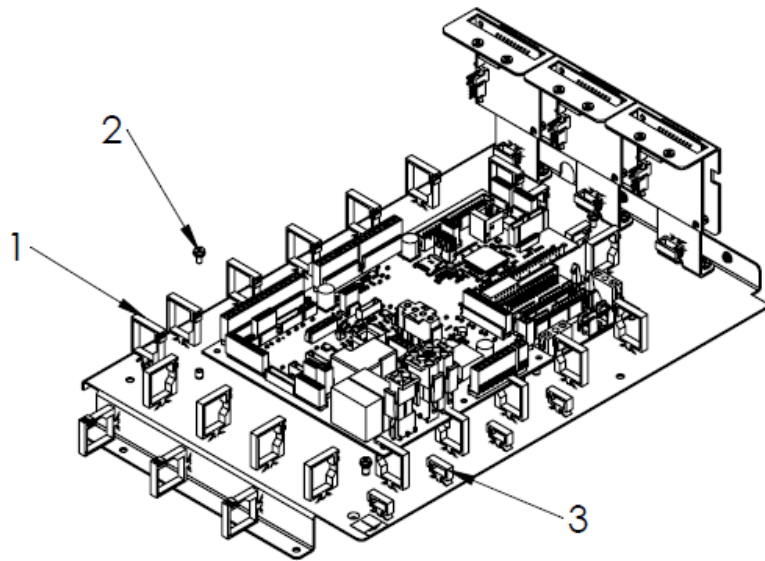
Electronics

PL 6.1. Electronics PCB Assembly

| ITEM | GBC Part # | DESCRIPTION | QTY |
|------|------------|-------------------------|-----|
| 1 | 6195001 | RFI POWER FILTER | 1 |
| 2 | 7723460 | BOARD, CONTROL, MAIN | 1 |
| 3 | 7718799 | BOARD, CONTROL, COMM | 1 |
| 4 | 7715863 | FUSE,AC POWER, 250V, 5A | 1 |



PL 6.2. Control Board Bracket Sub Assembly



| ITEM | GBC Part # | DESCRIPTION | QTY |
|------|------------|--------------------------------------|-----|
| 1 | 7715819 | WIRE SADDLE, LARGE, LOCKING TOP, V-0 | 19 |
| 2 | 1823901 | SCREW, M3 X 6 | 11 |
| 3 | 7715817 | WIRE SADDLE, SMALL, LOCKING TOP, V-0 | 4 |

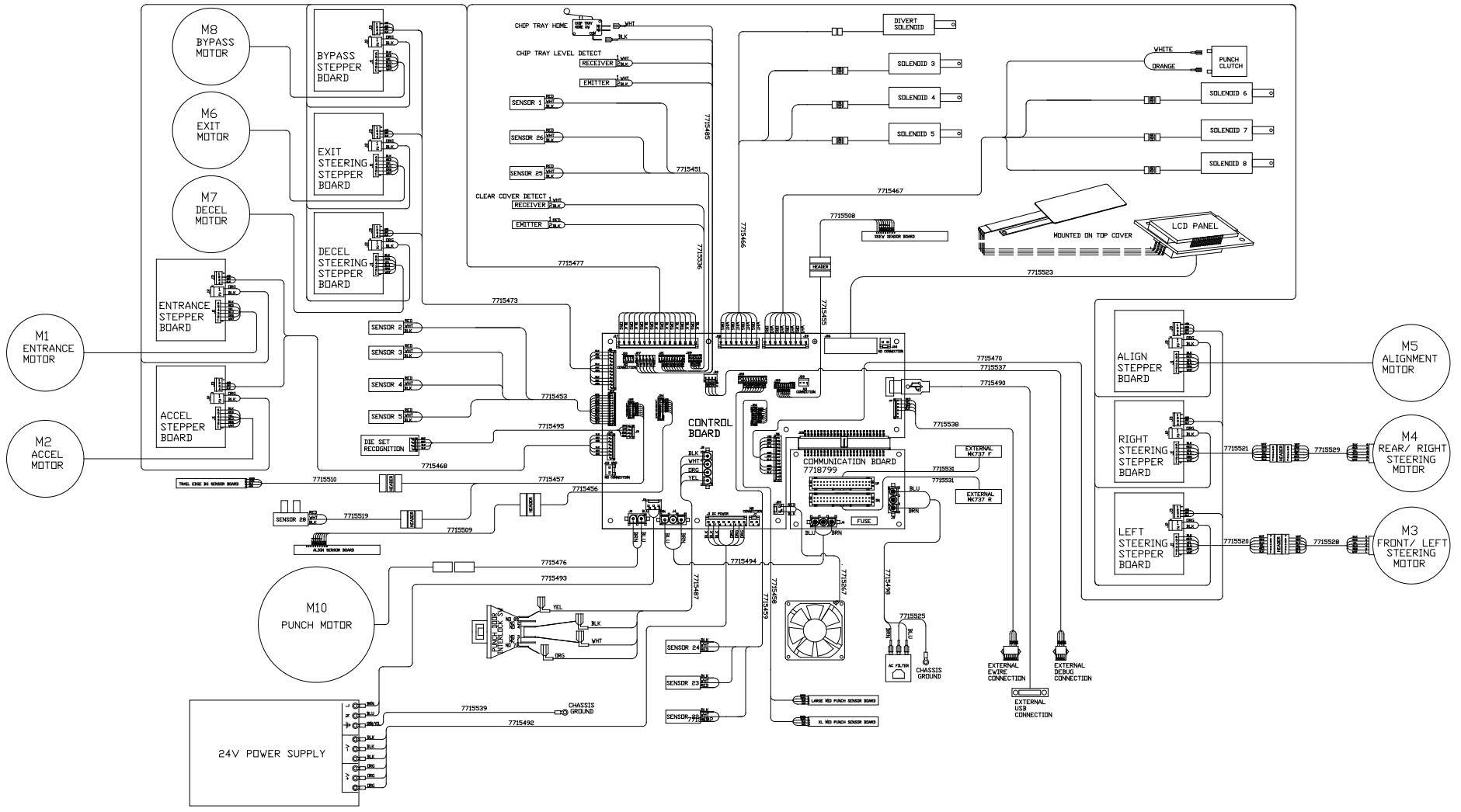
PL 6.3. Cable Part Number Index

Refer to the Wiring drawing on the next page to locate the cables

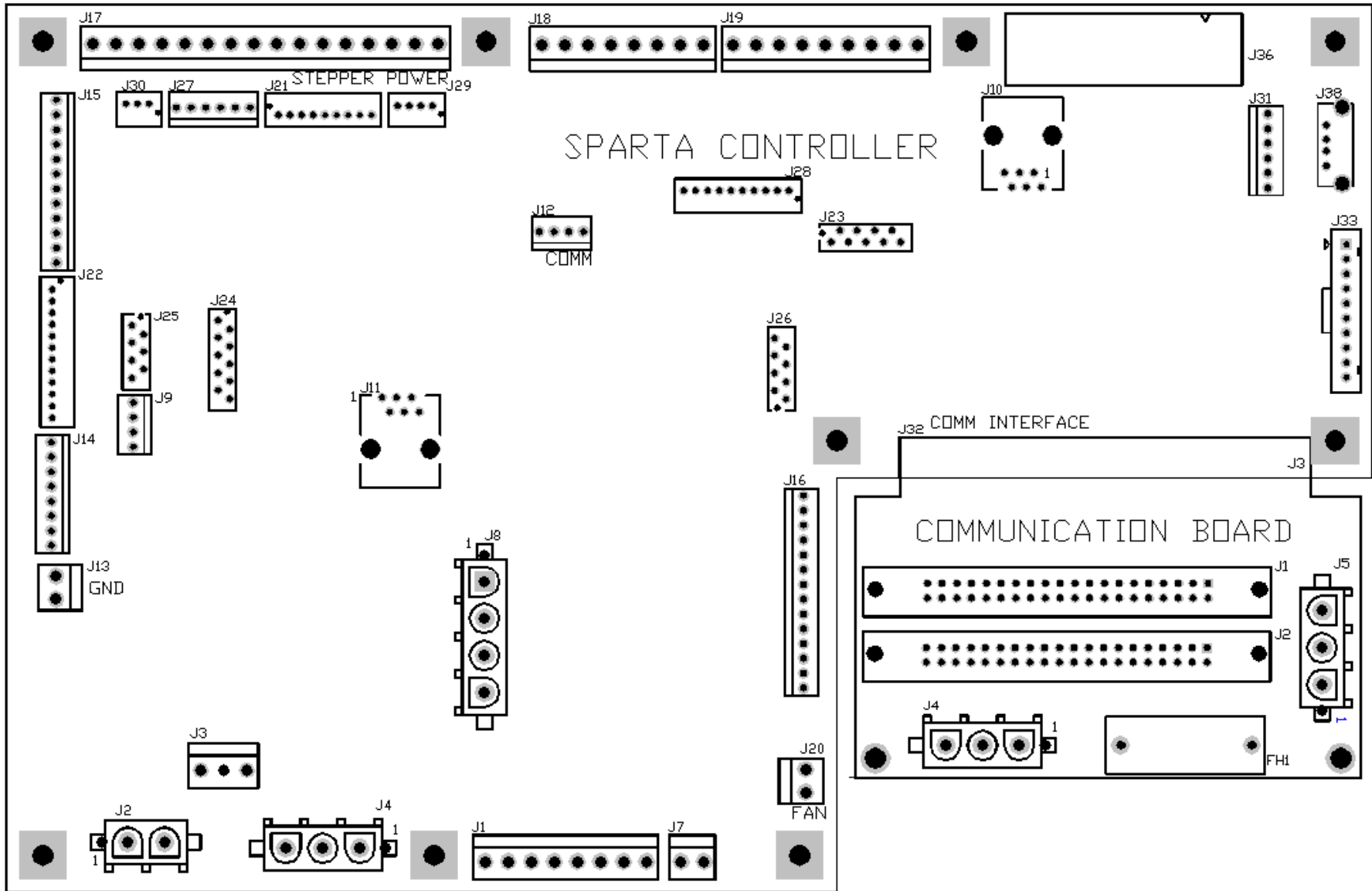
| GBC Part # | DESCRIPTION |
|-------------------|--|
| 7715451 | CABLE, SENSORS S1,S25,S26 |
| 7715453 | CABLE, SENSORS, ENTRY |
| 7715455 | CABLE, SENSORS, SKEW, BRD TO HDR |
| 7715456 | CABLE, SENSORS, ALIGN, BRD TO HDR |
| 7715457 | CABLE, SENSORS, BG & ALGN HM, BRD TO HDR |
| 7715458 | CABLE, SENSORS, MID BG L & XL |
| 7715459 | CABLE, SENSORS, EXIT |
| 7715466 | CABLE, SOLENOIDS, ENTRY, BRD TO HDR |
| 7715467 | CABLE, SOLENOIDS, EXIT, BRD TO HDR |
| 7715468 | CABLE, ENTRANCE & ACCEL, DRIVER |
| 7715470 | CABLE, ALIGN & STEERING, DRIVER |
| 7715473 | CABLE, EXIT, DECEL & BYPASS DRIVER |
| 7715476 | CABLE, PUNCH MOTOR |
| 7715477 | CABLE, POWER, STEPPER, DRIVERS |
| 7715485 | CABLE, CHIP TRAY |
| 7715487 | CABLE, DOOR INTERLOCK |
| 7715490 | CABLE, USB |
| 7715492 | CABLE, DC POWER |
| 7715493 | CABLE, AC TO PSU |
| 7715494 | CABLE, AC TO BOARD |

| | |
|---------|--|
| 7715495 | CABLE, DIESET RECOGNITION |
| 7715535 | CABLE, INLET FILTER TO AC SWITCH |
| 7715508 | CABLE, SKEW, HDR TO SENSOR |
| 7715509 | CABLE, ALIGN, HDR TO SENSOR |
| 7715510 | CABLE, BG, HDR TO SENSOR |
| 7715519 | CABLE, ALIGN HOME, HDR TO SENSOR |
| 7715520 | CABLE, LEFT STEER, DRV TO HDR |
| 7715521 | CABLE, RIGHT STEER, DRV TO HDR |
| 7715523 | CABLE, LCD |
| 7715525 | CABLE, AC FILTER, GROUND |
| 7715528 | CABLE, STEERING MOTOR, MTR TO HDR, LEFT |
| 7715529 | CABLE, STEERING MOTOR, MTR TO HDR, RIGHT |
| 7715536 | CABLE, THRU BEAM, CLEAR COVER |
| 7715537 | CABLE, DEBUG TO PANEL |
| 7715539 | CABLE, GROUND, PSU TO CHASSIS |
| 7715538 | CABLE, COMM TO PANEL |
| 7715531 | CABLE, DFA, UPSTREAM, SPARTA |
| 7718876 | CABLE, PASSTHROUGH, KM SPARTA |

PL 6.4. Wiring Drawing



PCB'S Main Control Board and Communication Board



Installation Kit Parts

| ITEM | GBC Part # | | DESCRIPTION | QTY |
|------|------------|------|--|-----|
| 1 | 6200001 | 115V | POWER CORD, US, 115V | 1 |
| 2 | 6200002 | 230V | POWER CORD, EUROPE | 1 |
| 3 | 6200014 | 230V | POWER CORD, UK, | 1 |
| 4 | 6200015 | 230V | POWER CORD, SWISS | 1 |
| 5 | 7715684 | | DRIVE, USB STICK, FLASH DRIVE | 1 |
| 6 | 7718832 | | BRKT SUBASSY, DOCKING, LOWER FRNT, KM | 11 |
| 7 | 7718834 | | BRKT SUBASSY, DOCKING, UPPER FRNT, KM SPARTA | 12 |
| 8 | 7715632 | | SCREW, ROUND TIP, M4 X 8 | 12 |
| 9 | 7610500 | | CABLE ASSY, INTERFACE (37 PINS) | 2 |
| 10 | 7723873 | | DOCKING BRACKET ASSY, REAR, SPARTA, KM | 2 |
| 11 | 7718832 | | BRKT SUBASSY, DOCKING, LOWER FRNT, KM | 1 |
| 12 | 7710227 | | BRACKET, LOCK, FRONT, LOWER | 1 |
| 13 | 7718834 | | BRKT SUBASSY, DOCKING, UPPER FRNT, KM | 1 |

Miscellaneous Parts

| ITEM | GBC Part # | DESCRIPTION | QTY |
|------|------------|------------------------------|-----|
| 1 | 7718648 | WIPES, CLEANING, ANTI-STATIC | 1 |

Part Number Index

| Part # | DESCRIPTION | PL |
|---------|---|-----|
| 1823901 | SCREW, PHILLIPS, HEX HD M3X6 | 1.2 |
| 1823905 | SCREW, PHILLIPS HX HD M4X35 | 1.2 |
| 1824001 | NUT, KEPS M4 | 1.2 |
| 7610501 | INTERLOCK SWITCH | 1.2 |
| 7706447 | MAGNET, FRONT DOOR | 1.2 |
| 7706486 | LATCH, PUSH TO CLOSE | 1.2 |
| 7715267 | FAN, EXHAUST | 1.2 |
| 7723665 | LCD, TOUCHSCREEN, 4.3" | 1.2 |
| 7715632 | SCREW, ROUND TIP, HEX HD, PHILLIPS, M4 X 8 | 1.2 |
| 7723646 | ADAPTER PCB, LCD TOUCHSCREEN | 1.2 |
| 7718836 | HINGE,, UPPER SUBASSY, KM | 1.2 |
| 7718838 | HINGE ASSY, LOWER, KM | 1.2 |
| 7718840 | COVER PANEL ASSY, BACK, KM | 1.2 |
| 7718847 | COVER WELDMENT, R-BACK, KM | 1.2 |
| 7718856 | COVER, POCKET | 1.2 |
| 7718859 | BRACKET, EXHAUST FAN, KM | 1.2 |
| 7718862 | COVER, WELDMENT, SIDE, DOWNSTREAM, REAR, KM | 1.2 |
| 7718867 | PANEL ASSY, BACK LEFT, SPARTA, KM | 1.2 |
| 7718872 | SPACER, KM SPARTA, MTG INTERFACE | 1.2 |
| 7718873 | FOAM, KM SPARTA | 1.2 |
| 7724412 | TOP COVER WELDMENT | 1.2 |
| 7724422 | RIBBON CABLE, LCD | 1.2 |
| PL 5.5 | UPPER BYPASS PANEL | 2.1 |
| PL 5.2 | ENTRANCE IDLER PANEL | 2.1 |
| PL 5.1 | ENTRANCE DRIVE PANEL | 2.1 |
| PL 5.3 | ACCELERATION IDLER PANEL | 2.1 |
| PL 5.4 | EXIT IDLER PANEL | 2.1 |
| 7715101 | PANEL, ENTRANCE, LOWER | 2.1 |
| 7715102 | PANEL, ENTRANCE, INNER | 2.1 |
| 7715146 | PANEL, EXIT, LOWER | 2.1 |
| 7715153 | PANEL, EXIT, INNER | 2.1 |
| 7724137 | PANEL ASSEMBLY, LOWER, EXIT | 2.1 |

| Part # | DESCRIPTION | PL |
|---------|---|-----|
| 7715209 | SHAFT, IDLER PANEL HINGE | 2.1 |
| 7715210 | SHAFT, IDLER PANEL HINGE, LONG | 2.1 |
| 7715251 | BRACKET, IDLER PANEL MOUNT | 2.1 |
| 7715150 | PANEL WELDMENT, DRIVE, EXIT | 2.1 |
| 7715128 | PANEL WELDMENT, BYPASS, LOWER | 2.1 |
| 1821209 | SNAP-IN BEARING, 6MM ID [Qty. (2) used on all Idler panels- #A, #B, #D, #E and #5 | 2.1 |
| 7718619 | SHAFT, IDLER PANEL HINGE, OFFSET GROOVE, LONG | 2.1 |
| 1821209 | Snap-in Bearing, 6mm ID for 1.45-2.34 mm Thk Mtrl | 2.2 |
| 1822202 | E-RING, JE-5 | 2.2 |
| 1823711 | JAM NUT, M16X2.0 | 2.2 |
| 1823901 | SCREW, PHILLIPS HX HD W/SEMS, M3 X 6 | 2.2 |
| 1823909 | SCREW, PHILLIPS HX HD W/SEMS M4 X 6 | 2.2 |
| 1824001 | NUT, KEPS M4 | 2.2 |
| 1821606 | SCREW, PHILLIPS PAN HD W/SEMS M3 X 10 | 2.2 |
| 7715195 | MAGNET, PANEL, OPEN, STRONG | 2.2 |
| 7715215 | HANDLE, ACCEL IDLER LATCH | 2.2 |
| 7715385 | MAGNET, BRACKET, ASSY | 2.2 |
| 7715427 | CHIP TRAY, ASSEMBLY | 2.2 |
| 7715650 | LATCH, BYPASS | 2.2 |
| 7715637 | POWER SUPPLY, 24V, MW SP 480, | 2.2 |
| 7715789 | MAGNET, PANEL, OPEN, WEAK | 2.2 |
| 7708163 | CAP, RUBBER, RAIN BLUE | 2.2 |
| 7715630 | CASTER, ADJUSTABLE | 2.2 |
| 1823913 | SCREW, PHILLIPS HX HD W/SEMS M3 X 8 | 2.2 |
| 1821209 | Snap-in Bearing, 6mm ID | 2.3 |
| 1821611 | SCREW, PHILLIPS HD W/SEMS, M3X10 | 2.3 |
| 1822005 | WASHER, FLAT, 6.025 X 8 X 0.75 | 2.3 |
| 1822202 | E-RING, JE-5 | 2.3 |
| 1823910 | SCREW, PHILLIPS HX HD W/SEMS M4 X 14 | 2.3 |
| 1824001 | NUT, KEPS M4 | 2.3 |
| 1825501 | RETAINING RING, 6MM SHAFT | 2.3 |
| 1902863 | SCREW, MACHINE PAN #4-40 X 15/32 PHILLIPS | 2.3 |
| 1925044 | WSHR, .192 ID X .625 OD X .060 T | 2.3 |
| 1952208 | SPACER, TIMING BELT IDLERS, BRONZE | 2.3 |

| Part # | DESCRIPTION | PL |
|---------|---|-----|
| 1954011 | GROMMET, 3/8 I.D X 1/2 O.D | 2.3 |
| 1954032 | GROMMET, 1 1/4 I.D. X 1 1/2 O.D. | 2.3 |
| 7712703 | WIRE HEADER CONNECTOR, 2 POS | 2.3 |
| 7714679 | GROUND STRAP, M4 | 2.3 |
| 7715185 | BRACKET, PUNCH MODULE MOUNT | 2.3 |
| 7715383 | ROLLER, IDLER, DRIVE ASSY, | 2.3 |
| 7715390 | WIRE CLAMP, EDGE | 2.3 |
| 7715445 | WIRE CLAMP, EDGE, SMALL | 2.3 |
| 7715813 | SOLENOID, BRACKET, DIVERTER, SUB ASSEMBLY | 2.3 |
| 7715818 | WIRE SADDLE, MEDIUM, LOCKING TOP, V-0 | 2.3 |
| 7715819 | WIRE SADDLE, LARGE, LOCKING TOP, V-0 | 2.3 |
| 7715817 | WIRE SADDLE, SMALL, LOCKING TOP, V-0 | 2.3 |
| 7715093 | ROLLER ASSY, DRIVE | 2.4 |
| 7715097 | ROLLER ASSY, ONE WAY CLUTCH DRIVE | 2.4 |
| 1821116 | BEARING, BALL, FLANGE 6X13X5, SUJ2 | 2.4 |
| 1822005 | WASHER, FLAT, 6.025 X 8 X 0.75 | 2.4 |
| 1822202 | E-RING, JE-5 | 2.4 |
| 7706532 | BEARING BALL FLANGE | 2.4 |
| 1925222 | WASHER FLAT, NON-METALLIC 1/4X3/8X1/32 | 2.4 |
| 7715862 | ONE WAY CLUTCH SUB ASSEMBLY, SERVICE | 2.4 |
| 1822108 | WASHER, FLAT, 4.1X8X1.5 | 2.5 |
| 1823911 | SCREW, PHILLIPS HX HD W/SEMS M4 X 10 | 2.5 |
| 7711970 | EMITTER | 2.5 |
| 7711973 | RECEIVER | 2.5 |
| 7715131 | BYPASS DIVERTER | 2.5 |
| 7715186 | CHIP TRAY SENSOR MOUNT ASSY | 2.5 |
| 7715213 | SHAFT, ACCEL IDLER LATCH | 2.5 |
| 7724141 | LATCH, ASSY, REAR, ACCEL IDLER PANEL | 2.5 |
| 7724140 | LATCH, ASSY, FRONT, ACCEL IDLER PANEL | 2.5 |
| 7715637 | POWER SUPPLY, 24V, MW SP 480, | 2.5 |
| 7715159 | STEPPER AND MOUNT ASSEMBLY | 2.6 |
| 7715275 | DRIVER AND BRACKET ASSY, TWO PHASE | 2.6 |
| 7715627 | Entrance Sensor, S1 | 2.7 |
| 7715291 | Entrance Sensor, Top | 2.7 |
| 7715291 | Entrance Sensor, Middle | 2.7 |
| 7715291 | Entrance Sensor, Bottom | 2.7 |
| 7715291 | Accel Sensor | 2.7 |
| 7715692 | Skew Sensor Board | 2.7 |
| 7715694 | Alignment Sensor Board | 2.7 |

| Part # | DESCRIPTION | PL |
|---------|--|-----|
| 7715696 | Backage Sensor Board Assy | 2.7 |
| 7715696 | Mid Punch Large, Sensor Board Backage Sensor Board Assy | 2.7 |
| 7715696 | Mid Punch X- Large, Sensor Board Backage Sensor Board Assy | 2.7 |
| 7715291 | Exit Sensor, Bottom | 2.7 |
| 7715291 | Exit Sensor, Middle | 2.7 |
| 7715291 | Exit Sensor, Top | 2.7 |
| 7715291 | Exit Sensor | 2.7 |
| 7715291 | Bypass Sensor, Middle | 2.7 |
| 7715597 | Align Home Sensor | 2.7 |
| 7711970 | Chip Level Sensor - Emitter | 2.7 |
| 7711973 | Chip Level Sensor - Receiver | 2.7 |
| 7715774 | Clear Cover Sensor - Emitter | 2.7 |
| 7711973 | Clear Cover Sensor - Receiver | 2.7 |
| 7715813 | Diverter Subassembly | 2.8 |
| 7715020 | Punch Clutch | 2.8 |
| 7724133 | Entrance Idler Solenoid, Middle | 2.8 |
| 7724133 | Entrance Idler Solenoid, Bottom | 2.8 |
| 7724133 | Acceleration Roller Solenoid | 2.8 |
| 7724133 | Exit Idler Solenoid, Bottom | 2.8 |
| 7724133 | Exit Idler Solenoid, Middle | 2.8 |
| 7724133 | Exit Idler Solenoid, Top | 2.8 |
| 7610501 | Front door Interlock Switch | 2.8 |
| 7715186 | Chip Tray Home Switch Assembly | 2.8 |
| 7715202 | BELT, 534T, 2MM 2GT | 2.9 |
| 7715204 | PULLEY, TIMING, 2MM 2GT, 30 GROOVES | 2.9 |
| 7715206 | BELT, 179T, 2MM 2GT | 2.9 |
| 7715243 | BELT, 150 T, 2MM 2GT | 2.9 |
| 7715245 | TENSIONER ASSEMBLY | 2.9 |
| 7715246 | BELT, 134T, 2MM 2GT | 2.9 |
| 1824002 | NUT, KEPS, M3 | 3.1 |
| 7711973 | RECEIVER | 3.1 |
| 7715696 | MID PUNCH, LARGE, SENSOR BOARD BOARD ASSY, BACKGAGE SENSOR | 3.1 |
| 7715696 | MID PUNCH, X LARGE, SENSOR BOARD BOARD ASSY, BACKGAGE SENSOR | 3.1 |
| 7715871 | PANEL WELDMENT, DRIVE, ENTRANCE, SERVICE | 3.1 |
| 1822108 | WASHER, FLAT, 4.1X 8X1.5 | 3.1 |

| Part # | DESCRIPTION | PL |
|---------|--|-----|
| 1822117 | WASHER, 3.2ID, 8OD, 0.75MM THICK | 3.1 |
| 1823903 | SCREW, PHILLIPS, HX HD M4X8 | 3.1 |
| 7711970 | EMITTER | 3.2 |
| 7715103 | ROLLER ASSY, IDLER | 3.2 |
| 7724133 | MODULE, SOLENOID, DISENGAGING ROLLER | 3.2 |
| 7715291 | SENSOR AND BRACKET ASSEMBLY | 3.2 |
| 7717410 | SPRING, TRANSPORT IDLER ROLLERS | 3.2 |
| 7715382 | BEARING HOUSING | 3.2 |
| 7715384 | HANDLE ASSY, IDLER PANELS | 3.2 |
| 7715625 | WIRE SADDLE, SHORT | 3.2 |
| 7715629 | SCREW, BARREL, M4, 7MM THREAD DEPTH | 3.2 |
| 7715639 | WIRE SADDLE, SMALL, SIDE OPENING | 3.2 |
| 7715873 | PANEL WELDMENT, IDLER, ENTRANCE, SERVICE | 3.2 |
| 7714679 | GROUND STRAP, M4 | 3.2 |
| 7715774 | EMITTER ASSY, CLEAR COVER SENSOR | 3.2 |
| 7708163 | CAP, RUBBER | 3.2 |
| 7708163 | CAP, RUBBER | 3.3 |
| 7715103 | ROLLER ASSY, IDLER | 3.3 |
| 7724133 | MODULE, SOLENOID, DISENGAGING ROLLER | 3.3 |
| 7715291 | SENSOR AND BRACKET ASSEMBLY | 3.3 |
| 7718594 | BRUSH, ANTI STATIC | 3.3 |
| 7717410 | SPRING, TRANSPORT IDLER ROLLERS | 3.3 |
| 7715382 | BEARING HOUSING ASSY | 3.3 |
| 7715817 | WIRE SADDLE, SMALL, LOCKING TOP | 3.3 |
| 7715629 | SCREW, BARREL, M4, 7MM THREAD DEPTH | 3.3 |
| 7715875 | PANEL WELDMENT, IDLER, ACCEL, -SERVICE | 3.3 |
| 7714679 | GROUND STRAP, M4 | 3.3 |
| 7715103 | ROLLER ASSY, IDLER | 3.4 |
| 7724133 | MODULE, SOLENOID, DISENGAGING ROLLER | 3.4 |
| 7715291 | SENSOR AND BRACKET ASSEMBLY | 3.4 |
| 7717410 | SPRING, TRANSPORT IDLER ROLLERS | 3.4 |
| 7715384 | HANDLE ASSY, IDLER PANELS | 3.4 |
| 7715382 | BEARING HOUSING ASSY | 3.4 |
| 7715625 | WIRE SADDLE, SHORT | 3.4 |
| 7715629 | SCREW, BARREL, M4, 7MM THREAD DEPTH | 3.4 |
| 7715639 | WIRE SADDLE, SMALL, SIDE OPENING | 3.4 |
| 7715874 | PANEL WELDMENT, IDLER, EXIT, -SERVICE | 3.4 |
| 7714679 | GROUND STRAP, M4 | 3.4 |
| 7708163 | CAP, RUBBER | 3.4 |
| 1824002 | NUT, KEPS, M3 | 3.5 |
| 7715103 | ROLLER ASSY, IDLER | 3.5 |

| Part # | DESCRIPTION | PL |
|---------|--|-----|
| 7715291 | SENSOR AND BRACKET ASSEMBLY | 3.5 |
| 7718593 | BRUSH, ANTI-STATIC | 3.5 |
| 7717410 | SPRING, TRANSPORT IDLER ROLLERS | 3.5 |
| 7715382 | BEARING HOUSING ASSY | 3.5 |
| 7715384 | HANDLE ASSY, IDLER PANELS | 3.5 |
| 7715627 | SENSOR AND BRACKET ASSEMBLY, S1 | 3.5 |
| 7715629 | SCREW, BARREL, M4, 7MM THREAD DEPTH | 3.5 |
| 7715872 | PANEL WELDMENT, BYPASS, UPPER, SERVICE | 3.5 |
| 7714679 | GROUND STRAP, M4 | 3.5 |
| 7708163 | CAP, RUBBER | 3.5 |
| 1822117 | WASHER, 3.2ID, 8OD, 0.75MM THICK | 3.5 |
| 7724133 | Module, Solenoid, Disengaging Roller | 3.6 |
| 7723650 | PUNCH MODULE, ASSY, 115V | 4.1 |
| 7723651 | PUNCH MODULE, ASSY, 230V | 4.1 |
| 1821118 | BEARING, BALL, FLANGE, 12X24X6, SUJ2 | 4.1 |
| 1821215 | BEARING, CLIP, 12MM | 4.1 |
| 1821802 | Spring washer M4 | 4.1 |
| 1821532 | SCREW, SHCS, M4 X 12 | 4.1 |
| 1822016 | WASHER, NYLON, ID 12.7, OD 19, 1.5MM THK | 4.1 |
| 1822205 | E-RING, JE-10 | 4.1 |
| 1823203 | SCREW, SHOULDER, SOCKET HD, M5, 6MM SHOULDER | 4.1 |
| 1823911 | SCREW, PHILLIPS HX HD W/SEMS M4 X 10 | 4.1 |
| 1824003 | NUT, KEPS, M6 | 4.1 |
| 7715033 | STEERING MODULE SUB ASSY | 4.1 |
| 7715237 | SHAFT, DIE LOCK | 4.1 |
| 7715368 | HANDLE, DIE LOCK | 4.1 |
| 7715818 | WIRE SADDLE, MEDIUM, LOCKING TOP, V-0 | 4.1 |
| 7715886 | PUNCH MODULE SHELL, SERVICE | 4.1 |
| 1821514 | SHCS, M3X12 | 4.1 |
| 1821541 | SCREW, SOCKET HD, M6, 35MM LONG | 4.1 |
| 1821655 | SCREW, PHILLIPS, PAN HD, M4X25 | 4.1 |
| 1823903 | SCREW, PHILLIPS, HX HD M4X8 | 4.1 |
| 1825203 | WIRE SADDLE, SNAP TYPE, SMALL, 3mm | 4.1 |
| 1823701 | NUT, HEX, M3 | 4.1 |
| 7715030 | BRACKET, CLUTCH STUD | 4.1 |
| 7715079 | MOUNT PIN, PUNCH MODULE | 4.1 |
| 7715232 | BELT, TIMING, 82 GROOVE, 5MM HTD | 4.1 |
| 7715372 | BELT, TIMING, 80 GROOVE, 5MM HTD, 15MM WIDE | 4.1 |
| 7715238 | BRACKET AND BEARING ASSY, DIE LOCK | 4.1 |
| 7715239 | PLUNGER AND STRIPPER ASSY, DIE LOCK | 4.1 |

| Part # | DESCRIPTION | PL |
|---------|--|-----|
| 7715320 | MAGNET, DIE STOP | 4.1 |
| 7715374 | SPRING, DIE LOCK RETURN | 4.1 |
| 1824001 | NUT, KEPS M4 | 4.1 |
| 7715857 | Left / Front Steering Motor and Pulley. | 4.2 |
| 7715857 | Right / Rear Steering Motor and Pulley. | 4.2 |
| 7715859 | Alignment Stepper Motor and Pulley. | 4.2 |
| 7715692 | Skew Sensor Board | 4.2 |
| 7718567 | Alignment Sensor Board | 4.2 |
| 7715696 | Backage Sensor Board | 4.2 |
| 1823901 | SCREW, PHILLIPS HX HD W/SEMS, M3 X 6 | 4.3 |
| 1823913 | SCREW, PHILIPS-HEX HD W/EXT STAR WASHER, M3 X 8 | 4.3 |
| 1824002 | NUT, KEPS, M3 | 4.3 |
| 7715445 | WIRE CLAMP, EDGE, SMALL | 4.3 |
| 7715597 | SENSOR, VEIN, BRACKET, SUB ASSEMBLY | 4.3 |
| 7715779 | GROUND STRAP, STEERING CARRIAGE | 4.3 |
| 7715877 | ALIGNMENT CARRIAGE, SUB ASSEMBLY, RICOH, SERVICE | 4.3 |
| 1822117 | WASHER, 3.2ID, 8OD, 0.75MM THK. | 4.4 |
| 1824002 | NUT, KEPS, M3 | 4.4 |
| 7706488 | BEARING, DOUBLE "D" FLANGE | 4.4 |
| 7715062 | PANEL WELDMENT, IDLER, STEERING | 4.4 |
| 7717410 | SPRING, STEERING IDLER ROLLERS | 4.4 |
| 7715648 | WIRE CLAMP, LOCKING | 4.4 |
| 7715692 | BOARD ASSY, SKEW SENSOR | 4.4 |
| 7715816 | ROLLER ASSY, IDLER, STEERING | 4.4 |
| 1822008 | WASHER, FLAT, 6.4X12X1.5 | 4.5 |
| 1822202 | E-RING, JE-5 | 4.5 |
| 1823901 | SCREW, PHILLIPS HX HD W/SEMS, M3 X 6 | 4.5 |
| 1824002 | NUT, KEPS, M3 | 4.5 |
| 7715039 | ROLLER ASSEMBLY, DRIVE, STEERING | 4.5 |
| 7715044 | SHAFT, STEERING DRIVE | 4.5 |
| 7715047 | BELT, STEERING, 65 GROOVES, 2MM 2GT | 4.5 |
| 7715053 | PANEL WELDMENT, DRIVE, STEERING | 4.5 |
| 7717410 | SPRING, STEERING DRIVE ROLLER | 4.5 |
| 7715648 | WIRE CLAMP, LOCKING | 4.5 |
| 7715777 | SLEEVE, SPIRAL, STEERING MOTOR WIRES | 4.5 |
| 7715857 | STEPPER MOTOR AND PULLEY, STEERING, SERVICE | 4.5 |
| 7715857 | STEPPER MOTOR AND PULLEY, STEERING, SERVICE | 4.5 |

| Part # | DESCRIPTION | PL |
|---------|--|------|
| 1823906 | SCREW, PHILLIPS HX HD W/SEMS M5 X 10 | 4.6 |
| 7715078 | BRACKET, ALIGNMENT STEPPER MOUNT | 4.6 |
| 7715859 | STEPPER MOTOR AND PULLEY, ALIGNMENT, SERVICE | 4.6 |
| 1821531 | SCREW, SHCS, M5X18 | 4.7 |
| 1821801 | WASHER, SPLIT LOCK, M5 | 4.7 |
| 7715020 | CLUTCH, WRAP SPRING | 4.7 |
| 7715231 | PULLEY AND FLANGE, 5MM HTD, 38T, ASSY | 4.7 |
| 7715371 | PULLEY AND FLANGE, 5MM HTD, 34T, ASSY | 4.7 |
| 7715347 | Board, ASM, Reader, Die Set Recognition | 4.8 |
| 1824002 | NUT, KEPS, M3 | 4.8 |
| 1821808 | LOCK WASHER, SPLIT, M2 | 4.9 |
| 1822117 | WASHER, 3.2ID, 8OD, 0.75MM THK. | 4.9 |
| 1824002 | NUT, KEPS, M3 | 4.9 |
| 7715986 | DIE RAIL, ASSEMBLY | 4.9 |
| 7715032 | BRACKET, BACKGAGE SENSOR, LOWER | 4.9 |
| 7715080 | BRACKET WELDMENT, BACKGAGE SENSOR | 4.9 |
| 7715990 | BRACKET WELDMENT, ALIGNMENT SENSOR, | 4.9 |
| 7715988 | GUIDE, ALIGNMENT SENSOR, BOTTOM | 4.9 |
| 7715640 | WIRE SADDLE, SHORT, ALIGN SENSOR WIRES | 4.9 |
| 7718567 | BOARD ASSY, ALIGNMENT SENSOR | 4.9 |
| 7715696 | BOARD ASSY, BACKGAGE SENSOR | 4.9 |
| 7715787 | SPRING, DIE RAIL, POSITION, 1 | 4.9 |
| 7715799 | SPRING, DIE RAIL, POSITION, 2 | 4.9 |
| 1821807 | WASHER, SPLIT LOCK, M8 | 4.10 |
| 1822113 | WASHER, FLAT, 8X14X0.5 | 4.10 |
| 1823602 | SET SCREW, NYLON PATCH, M4X6 | 4.10 |
| 1824703 | SCREW, HEX CAP, M8, 16MM LONG | 4.10 |
| 7724220 | MOTOR AND PULLEY, PUNCH, 115V, SERVICE | 4.10 |
| 7724221 | MOTOR AND PULLEY, PUNCH, 230V, SERVICE | 4.10 |
| 7723470 | DIE, Coil, Rnd | 5.1 |
| 7723471 | DIE, Wire 2:1, Rnd | 5.1 |
| 7723472 | DIE, Wire 3:1, Rnd | 5.1 |
| 7723473 | DIE, 3 Hole, 8mm | 5.1 |
| 7723474 | DIE, 3/5/7 Hole, 8mm | 5.1 |
| 7723475 | DIE, 4 Hole, 8mm | 5.1 |
| 7723476 | DIE, 4 Hole, 6.5mm | 5.1 |
| 7723477 | DIE, 4 Hole Scan | 5.1 |
| 7723478 | DIE, Ricoh, Velobind®, 11 Holes, Ltr. | 5.1 |

| Part # | DESCRIPTION | PL |
|---------|---|-----|
| 7723479 | DIE, Ricoh, Velobind®, 12 Holes, A4 | 5.1 |
| 7723480 | DIE, CombBind | 5.1 |
| 7723481 | DIE, Wire 2:1, Sq | 5.1 |
| 7723482 | DIE, Wire 3:1, Sq | 5.1 |
| 7723483 | DIE, Coil, Oval | 5.1 |
| 7723484 | DIE, Coil, Rnd, 47H HD | 5.1 |
| 7723485 | DIE, 3 Hole, 8mm, HD | 5.1 |
| 7723486 | DIE, CombBind, 21H HD | 5.1 |
| 6195001 | RFI POWER FILTER | 6.1 |
| 7723460 | BOARD, CONTROL, MAIN | 6.1 |
| 7718799 | BOARD, COMMUNICATION, KM | 6.1 |
| 7715863 | Fuse, AC Power, 250V, 5A | 6.1 |
| 1823901 | SCREW, PHILLIPS HX HD W/SEMS, M3 X 6 | 6.2 |
| 7715183 | WIRE SADDLE, LARGE, LOCKING TOP, V-0 | 6.2 |
| 7715819 | STANDOFF, PLASTIC, 2 PHASE DRIVER | 6.2 |
| 6200001 | POWER CORD, US, 115V | 7.1 |
| 6200002 | POWER CORD, EUROPE | 7.1 |
| 6200014 | POWER CORD, UK, | 7.1 |
| 6200015 | POWER CORD, SWISS | 7.1 |
| 7715684 | DRIVE, USB STICK, FLASH DRIVE | 7.1 |
| 7718832 | BRKT SUBASSY, DOCKING, LOWER FRNT, KM | 7.1 |
| 7718834 | BRKT SUBASSY, DOCKING, UPPER FRNT, KM SPARTA | 7.1 |
| 7715632 | SCREW, ROUND TIP, M4 X 8 | 7.1 |
| 7610500 | CABLE ASSY, INTERFACE (37 PINS) | 7.1 |
| 7723873 | DOCKING BRACKET ASSY, REAR, SPARTA, KM | 7.1 |
| 7718832 | BRKT SUBASSY, DOCKING, LOWER FRNT, KM | 7.1 |
| 7710227 | BRACKET, LOCK, FRONT, LOWER | 7.1 |
| 7718834 | BRKT SUBASSY, DOCKING, UPPER FRNT, KM | 7.1 |
| 7718648 | WIPES, CLEANING, ANTI-STATIC | 7.1 |