
VFX Feeder Parts List

T07104A
25 November 2020

Parts List

This parts list is organized by component location (where the part in question may be found within the machine) and component category (e.g. electronics, harnesses, accessories). The locations and categories are defined on pages 2 and 3.

CONTENTS

Component Location/Category	2	Parts List	5
Component Location/Category (Continued)	3	PL 1.0 Exterior	5
Electrical Components Index	4	PL 2.0 Tray, View From Below	6
Barcode Reader	4	PL 2.1 Tray, Side Guides and Feed	7
Counter	4	PL 2.2 Tray, Inside, Underneath Table	12
Filters	4	PL 2.3 Tray, Feeder Parts	13
Fuses	4	PL 2.4 Tray, Separation Frame	14
Lamps	4	PL 2.5 Tray, Bar Code Reader and accessories	15
Motors	4	PL 3.0 Front Side	16
Power Supplies	4	PL 3.1a Left Side	17
Relays	4	PL 3.1b Left Side	19
Sensors	4	PL 3.1c Left Side	20
Solenoids	4	PL 4.0 Rear Side	21
Switches	4	PL 4.1 Rear Side, Topple Protection	22
		PL 4.2 Rear Side, Belt tensioners	23
		PL 4.3 Chain guides	24
		PL 5.0 Upper Support	25
		PL 6.0 Rear Side Electronics	26
		PL 7.0 Wire Harnesses	28
		PL 7.1 Wire Harnesses	29
		PL 7.2 Wire Harnesses	30
		PL 7.3 Wire Harnesses	31
		PL 8.0 Accessories	32
		PL 9.0 Dockings	33

Component Location/Category

1. Exterior



See PL 1.0

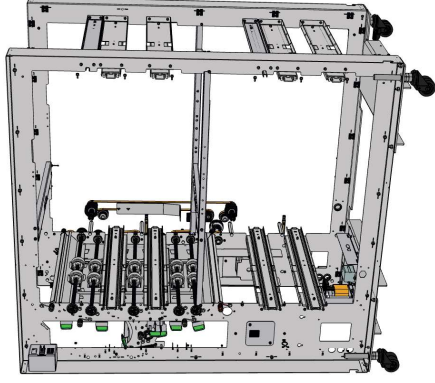
2. Tray



See PL 2.0 to PL 2.5

3.

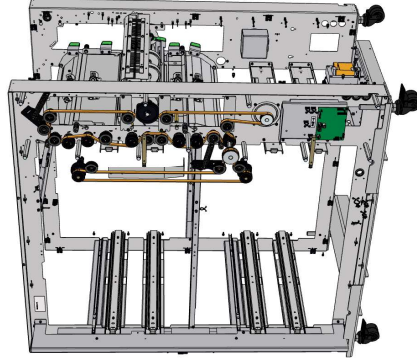
Front Side, Without Tray



See PL 3.0 to PL3.1c

4.

Rear Side, Without Tray



See PL 4.0 to 4.3

5.

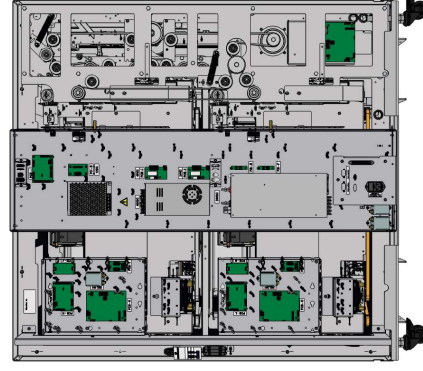
Upper Support



See PL 5.0

6.

Rear Side Electronics



See PL 6.0

Component Location/Category (Continued)

7. Wire Harnesses



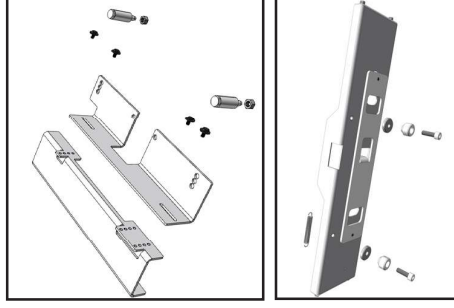
See PL 7.0 to PL 7.3

8. Accessories



See PL 8.0

9. Dockings



See PL 9.0

Electrical Components Index

NOTE

Upper Bin - numbers start with 1 ex: M101

Lower Bin - numbers start with 2 ex: M201

Chassis - numbers start with 3 ex: M301

In case of two of each, 1 is upper, 2 is lower ex: Q301 and Q302

PCB "J" (PCB DC/DC Converter).....	PL 6.0
PCB "K" (PCB M21H).....	PL 6.0
PCB "L" (PCB CPU APP 32).....	PL 6.0
PCB "M" (PCB 2x10P Commoning block).....	PL 6.0
PCB "N" (PCB DC/DC Converter).....	PL 6.0
PCB "O" (PCB M21H).....	PL 6.0
PCB "P" (PCB RS232 Plug In).....	PL 6.0
PCB "Q" (PCB RS232 Plug In).....	PL 6.0
PCB "R" (PCB SD2H, Lower Tray).....	PL 6.0
PCB "S" (PCB SD2H, Upper Tray).....	PL 6.0

Barcode Reader

Barcode Reader.....	PL 2.5
---------------------	--------

Counter

CNT.....	PL 3.0.
----------	---------

Filters

Filter Power Inlet.....	PL 6.0
-------------------------	--------

Fuses

F1 Fuse.....	PL 6.0
--------------	--------

Lamps

Lamp101, Lamp201 PCB White Lamp.....	PL 2.3
--------------------------------------	--------

Motors

FAN101, 102, 103, 104, 105, 201, 202, 203, 204 & 205.....	PL 2.1
FAN106 &206.....	PL 2.3
M101, M201 Lift Motor.....	PL 2.2
M301 Feed Motor.....	PL 3.1

PCBs

PCB "A" (PCB CPU APP 32).....	PL 6.0
PCB "B" (PCB PTC611).....	PL 6.0
PCB "C" (PCB SCP UNIVERSAL).....	PL 6.0
PCB "D" (PCB SCP UNIVERSAL).....	PL 6.0
PCB "E" (PCB Fuse 10A/125V).....	PL 6.0
PCB "F" (PCB Fuse 10A/125V).....	PL 6.0
PCB "G" (PCB M21H).....	PL 6.0
PCB "H" (PCB CPU APP 32).....	PL 6.0
PCB "I" (PCB 2x10P Commoning block).....	PL 6.0

Power Supplies

PSU1 Power Supply RS-75-12.....	PL 6.0
PSU2 Power Supply SP-240-24.....	PL 6.0
PSU3 Power Supply SP-750-27.....	PL 6.0

Relays

REL101, 201, 301 & 302 Relay.....	PL 6.0
REL303 Relay.....	PL 3.1a

Sensors

Q101, Q201 Optical Double Sheet Detection Sensor LED.....	PL 2.3
Q101, Q201 Optical Double Sheet Detection Sensor Phototransistor.....	PL 2.3
Q102, Q202 Ultra Sonic Double Sheet Detection Sensor.....	PL 2.3
Q103, Q203 (Lower) Home Position Sensor 10mm gap.....	PL 2.2
Q104, Q204 Safety Sensor 10mm gap.....	PL 2.3
Q105, Q205 Bin Empty Sensor.....	PL 2.2
Q301, Q302 Optical Sensor.....	PL 5.0
Q303 Exit Sensor.....	PL 3.1a
Stacked Paper Sensor "CC" (Upper), "Y" (Lower).....	PL 2.1

Solenoids

SOL101, SOL201, SOL104 & SOL204 Feed Roller Clutch/Solenoid.....	PL 2.3
SOL102, SOL202 Bin Lock Solenoid.....	PL 2.0
SOL103, SOL203 Vacuum Chamber Solenoid.....	PL 2.3

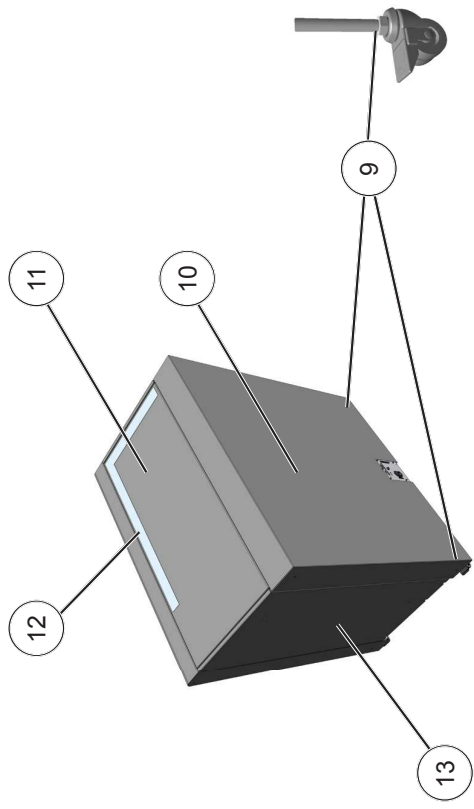
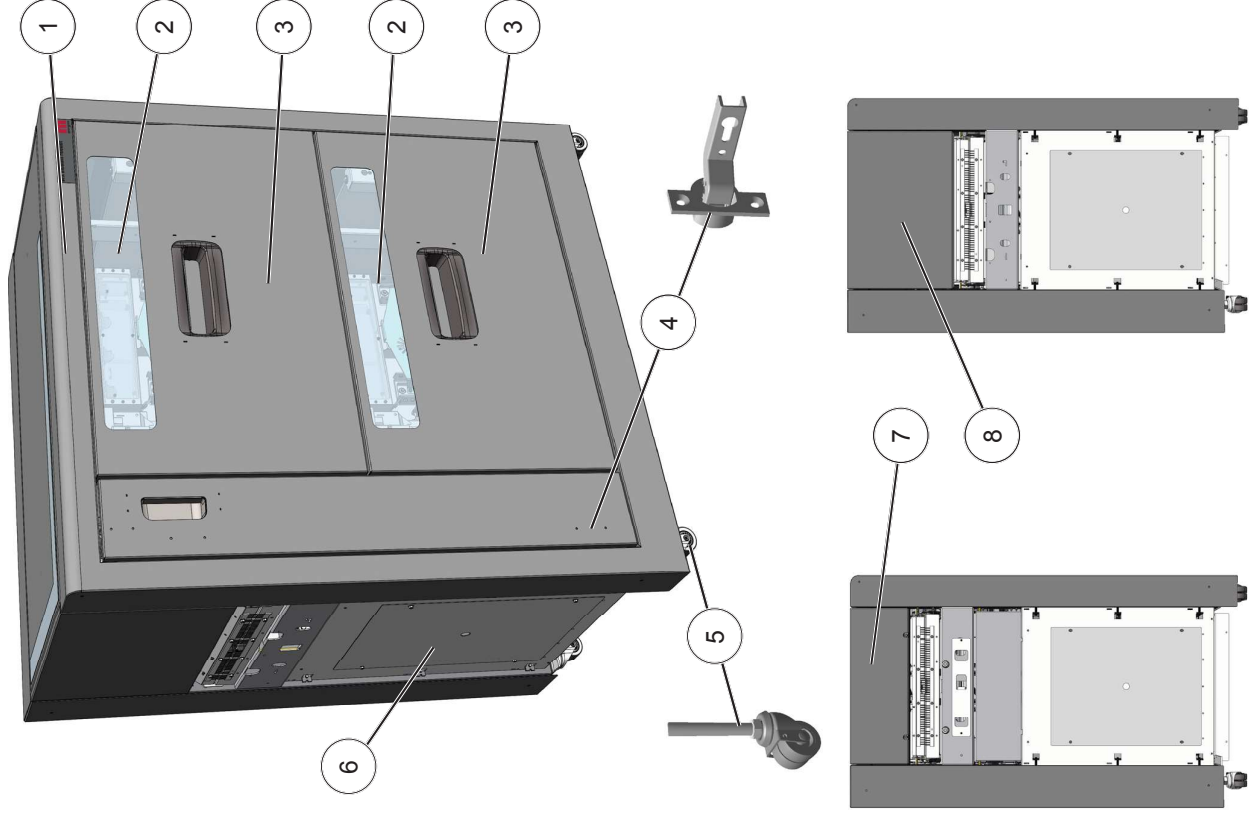
Switches

S101, S102, S201, S202 Interlock Switch.....	PL 2.0
S301, S302 Interlock Switch.....	PL 3.0
SW1 Power switch.....	PL 3.0

Parts List

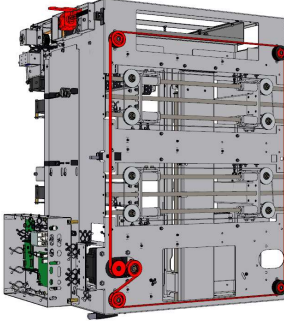
PL 1.0 Exterior

Item	Qty	Part No.	Description
1	1	125112960	Front cover with door
2	2	125107792	Window
3	2	125-113037	Tray Cover
4	2	17520	Hinge
5	2	102104514	Caster Assy
6	1	122105429	Frame cover
7	1	125107813-63	Exit Cover (high paper path exit)
8	1	125108767-63	Exit Cover (low paper path exit)
9	2	102104515	Caster w Brake Assy
10	1	125107904	Rear Cover
11	1	12590032	Upper Cover with scale
12	1	323-061-01	Lid scale
13	1	125107814-63	Infeed Cover

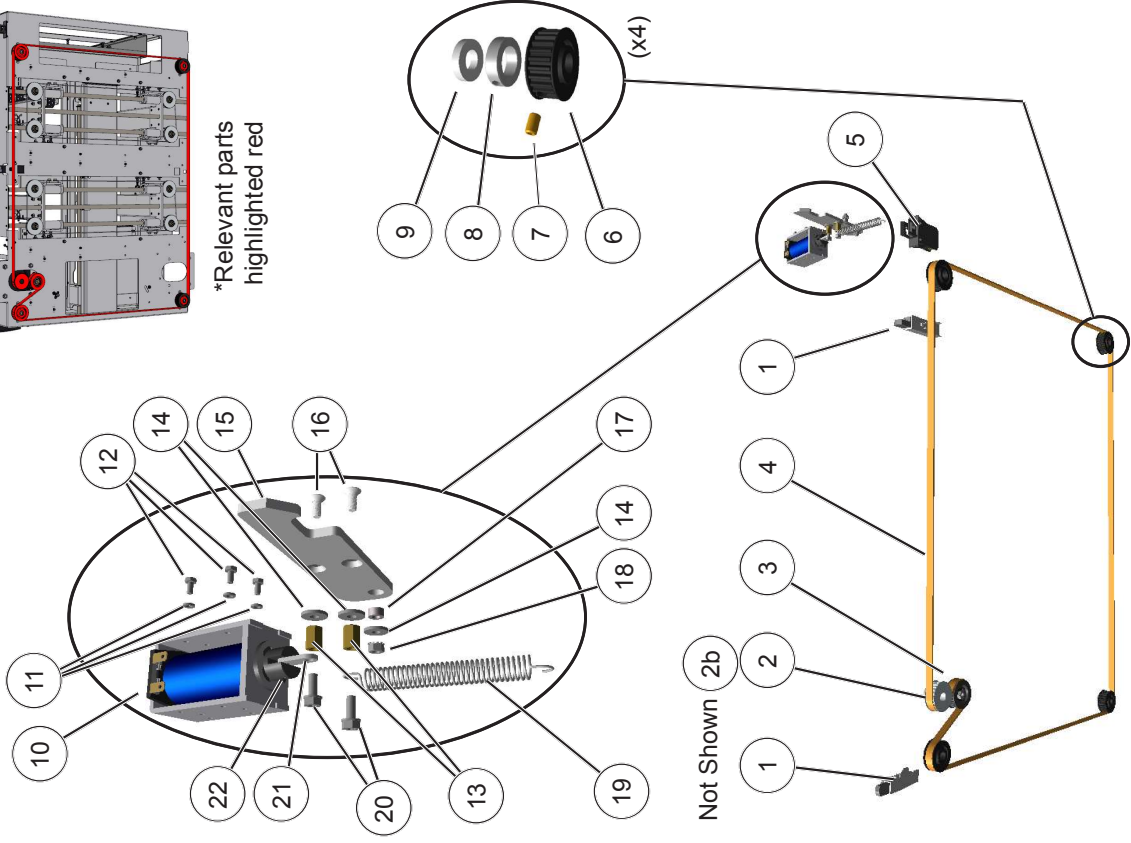


PL 2.0 Tray, View From Below

Item	Qty	Part No.	Description
1	2	102107281	Damper
2	1	122107326	Timing Wheel z24
2b	1	99368	Set Screw M6x10 (not included with Item 2)
3	1	106101259	Timing Wheel, incl Ball Bearing
4	1	125108225	Timing belt 10T5/2500
5	1	122105331	Interlock Switch (S101, S102, S201, S202)
6	4	122105646	Timing Wheel z24
7	4	99368	Set Screw M6x10
8	4	122-105548	Stop Collar
9	4	125108226	Spacer 12,6/25x6
10	1	12590021	Bin Lock Solenoid, including item 22 (SOL102, SOL202)
11	3	97042	Washer 3.2x6x1
12	3	99119	Screw M6S M3x6
13	2	103107087	Spacer DHS M4070x10
14	3	97048	Washer 4,3x12x1,5
15	1	125107800	Catch
16	2	99166	Screw MF6S M4x10
17	1	45184	Spacer DRM 4380x4
18	1	98055	Nut M4 w Lock Washer
19	1	56605	Tension Spring 1x10x50
20	2	99471	Screw M6SF+T20 M4x10
21	1	124107449	Link Solenoid
22	1	18356	Pin PRYM 3x14 (part of item 10)

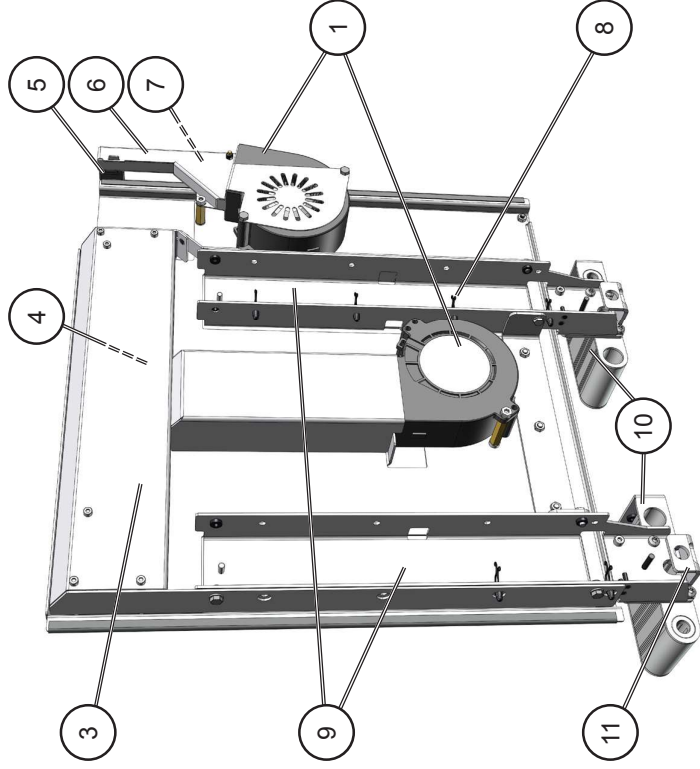


*Relevant parts highlighted red

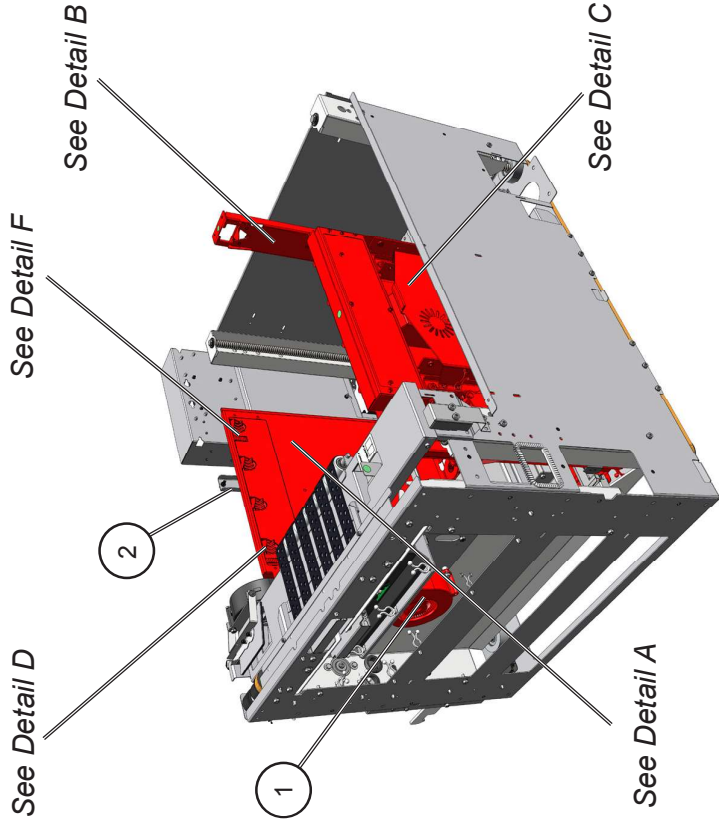


PL 2.1 Tray, Side Guides and Feed

Item	Qty	Part No.	Description
1	5	12590009	Blower Fan & Connector (FAN101/102/103/104/105 and 201/202/203/204/205)
2	1	125-109245	Support Upper Actuator
3	1	140115056	Frame Air Chamber
4	1	140115058	Window right (not visible)
5	2	125111242	Air Knife
6	1	140114864	Air Knife Holder (front)
7	1	140114863	Air Knife Holder (rear)
8	8	58595	Cable fastener Ø6,4



Detail A

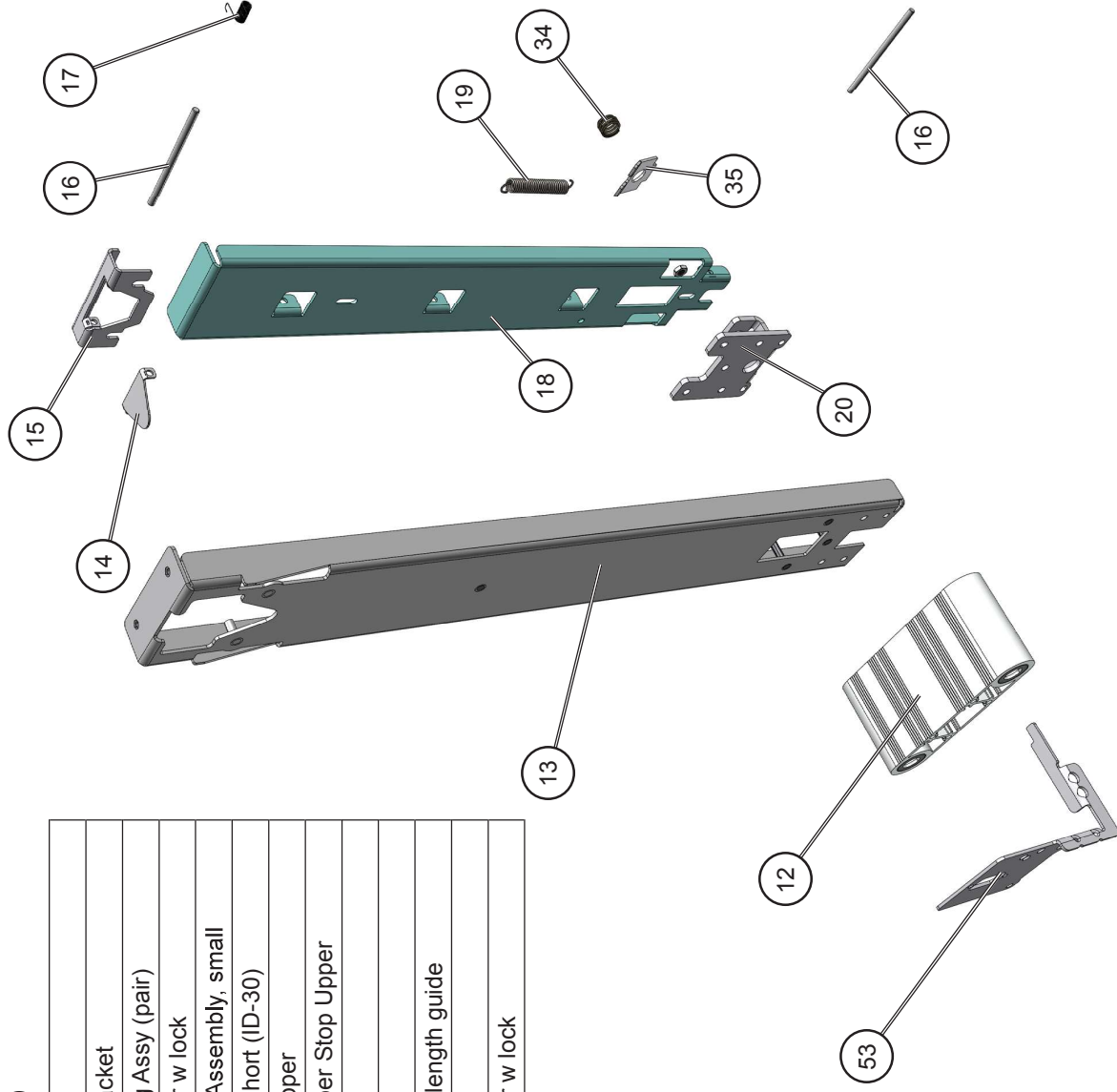


Relevant parts highlighted red

Continued on next page.

PL 2.1 Tray, Side Guides and Feed (continued)

Item	Qty	Part No.	Description
9	4	125115083	Side guide bracket
10	2	13190003	Linear Bearing Assy (pair)
11	4	140114675	Guide stiffener w lock
12	1	13190002	Linear Profile Assembly, small
13	1	125116574	Paper Guide short (ID-30)
14	9	125108228	Paper Stop Upper
15	1	125108849	Fastening Paper Stop Upper
16	2	125108229	Shaft Ø3x56
17	9	125107780	Spring
18	1	125116575	Lock Release length guide
19	1	60620	Spring
20	1	140110032	Guide stiffener w lock

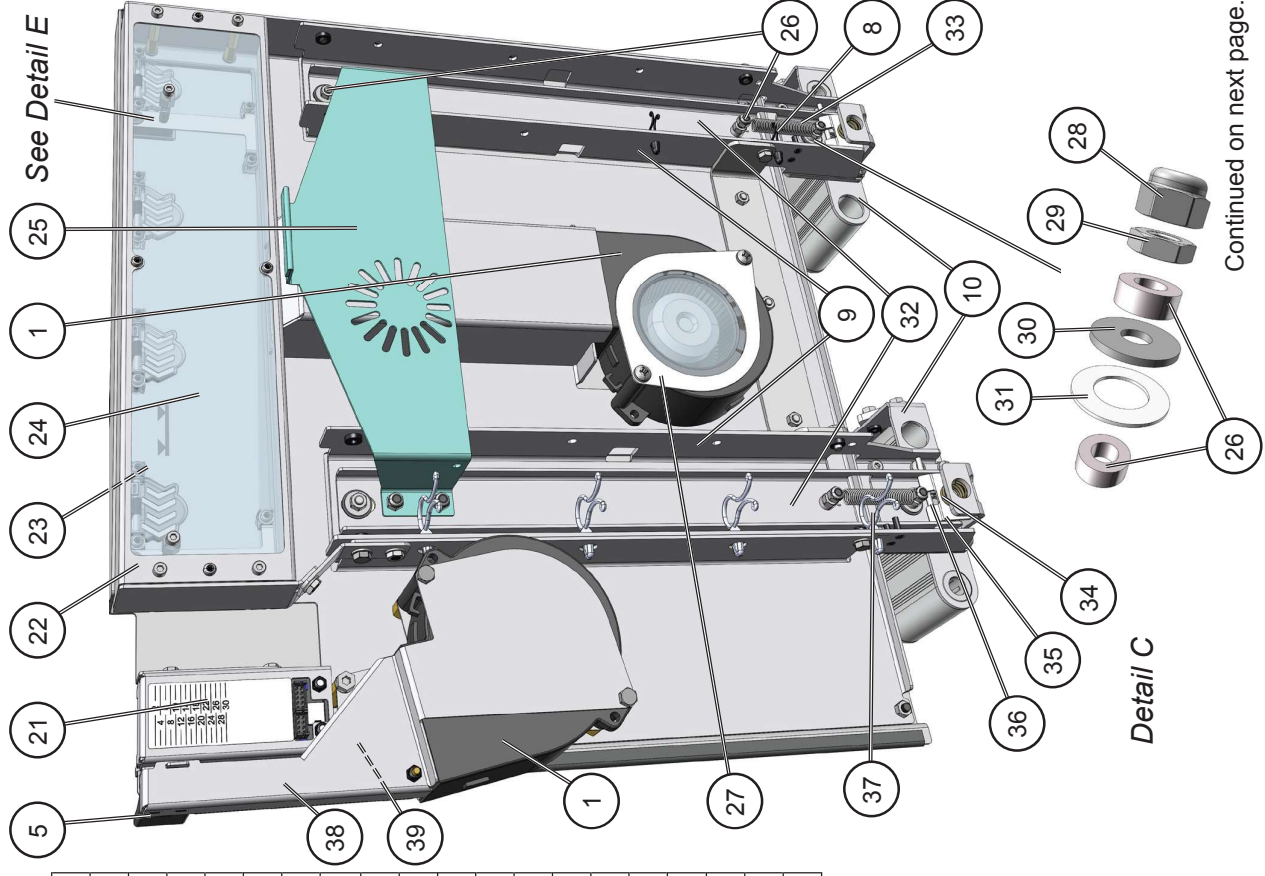


Detail B

Continued on next page.

PL 2.1 Tray, Side Guides and Feed (continued)

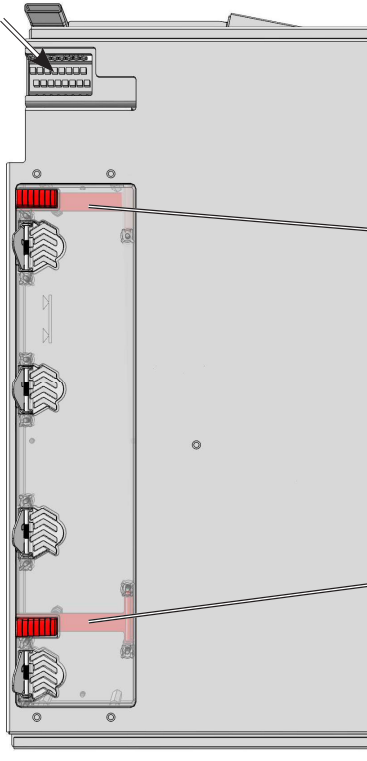
Item	Qty	Part No.	Description
21	1	12590031	SP Sensor & Box PCB CC / Y
22	1	140115055	Frame Air Chamber Window
23	1	140115057	Window left (not visible)
24	1	125111245	Air Chamber Window
25	1	125111254	Lever Lock Release
26	8	58585	Spacer
27	1	12590033	Protection, fan
28	2	98004	Lock nut
29	2	98023	Nut
30	2	97026	Washer
31	2	60766	Washer
32	2	125115084	Lock release
33	2	55599	Extension spring
34	3	131111109	Compression spring
35	2	125113335	Lock plate
36	2	140114676	Shaft Ø3x48
37	4	58564	Cable fastener Ø15,2
38	1	140114862	Air knife holder (front)
39	1	140114861	Air knife holder (rear)



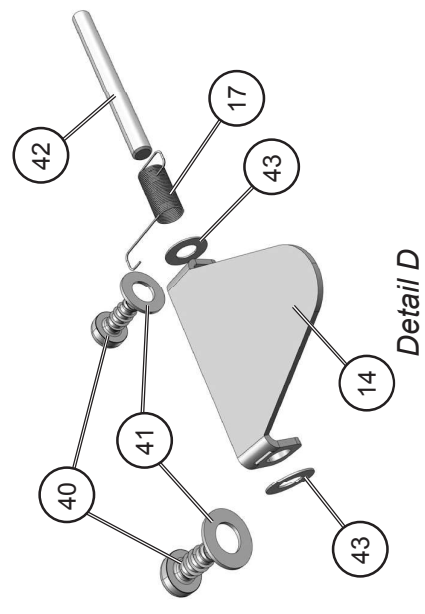
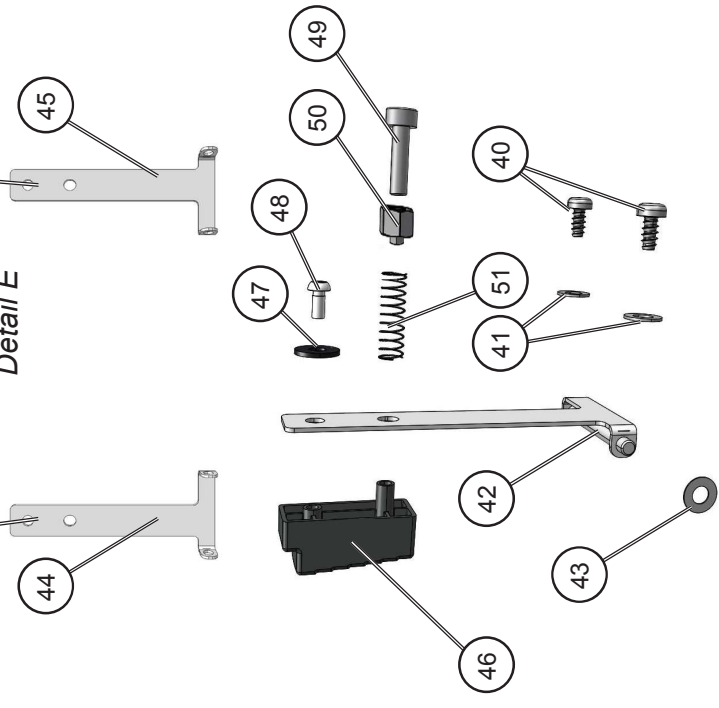
PL 2.1 Tray, Side Guides and Feed (continued)

Item	Qty	Part No.	Description
40	24	99594	Screw
41	24	97177	Washer 3,7x7x0
42	12	125113539	Shaft Ø3x31
43	24	97178	Spacer 3x6x0,2
44	2	140115060	Steps Holder Right
45	2	140115059	Steps Holder Left
46	4	125113398	Steps paper
47	4	97005	Washer
48	4	99506	Screw

SP Sensor



Detail E

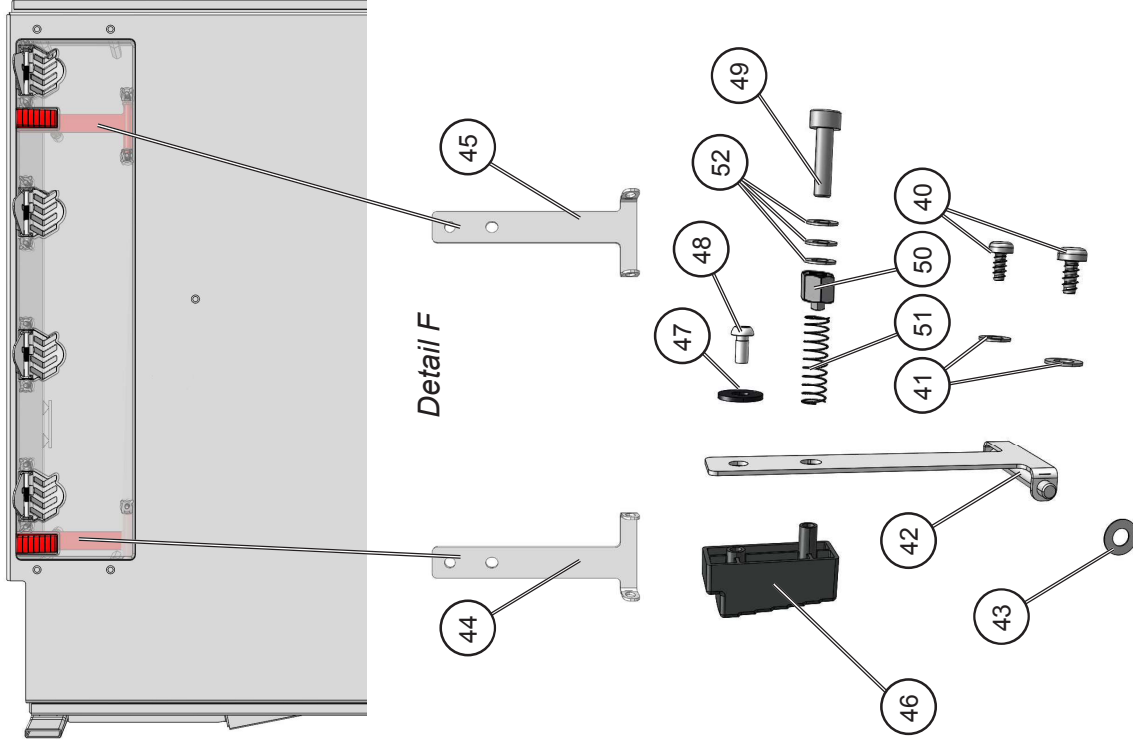


Detail D

Continued on next page.

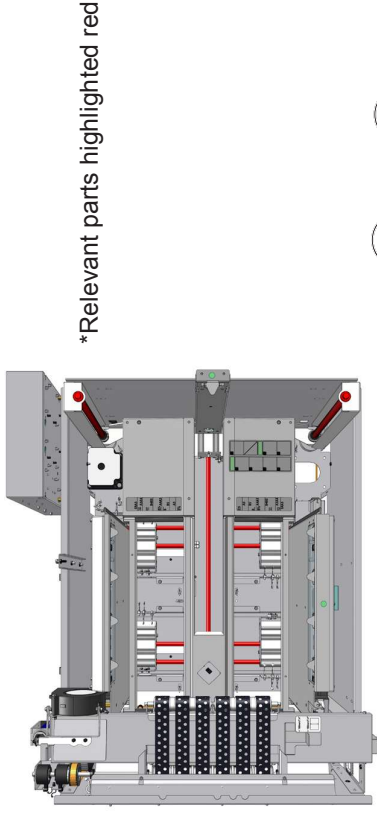
PL 2.1 Tray, Side Guides and Feed (continued)

Item	Qty	Part No.	Description
49	4	99271	Screw
50	4	140116357	Stud spring
51	4	101101443	Compression Spring
52	6	97002	Washer
53	1	125110114	D-SUB Bracket

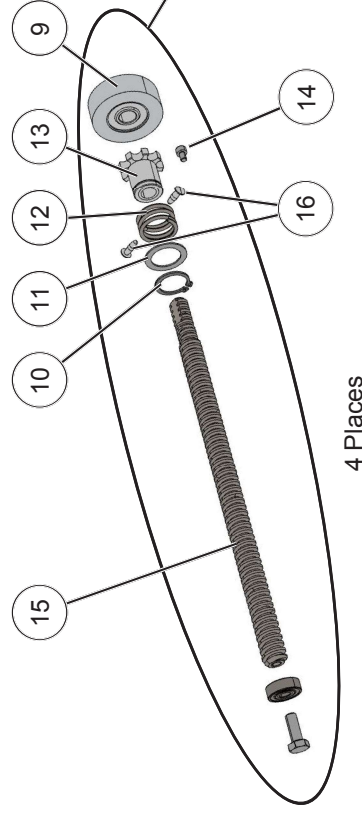
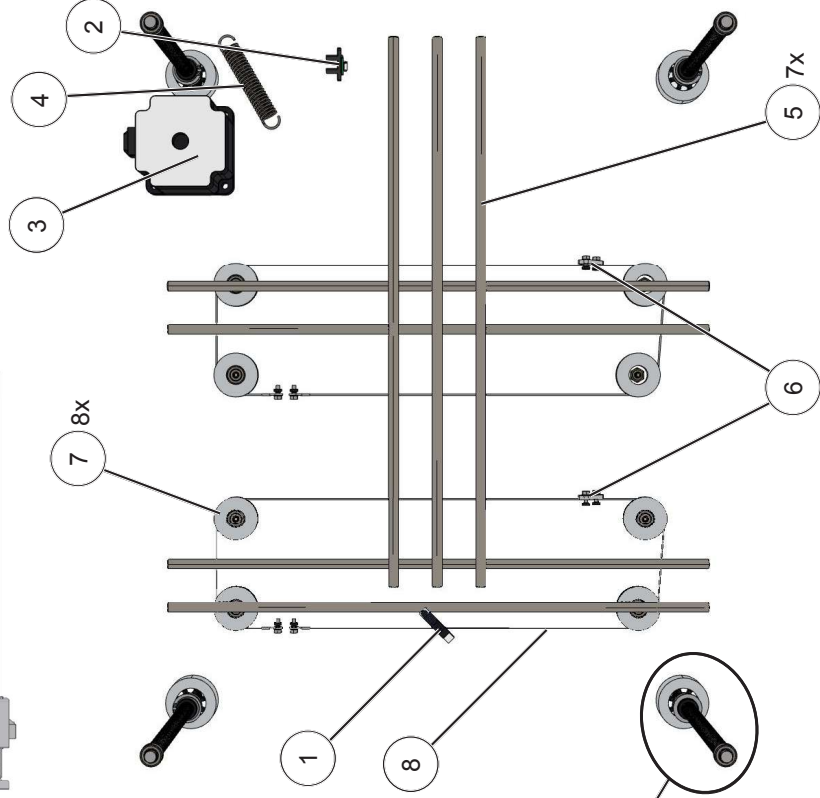


PL 2.2 Tray, Inside, Underneath Table

Item	Qty	Part No.	Description
1	1	96997	Bin Empty Sensor (Q105, Q205)
2	1	531003	(Lower) Home Position Sensor 10mm gap (Q103, Q203)
3	1	10190036	Lift Motor (M101, M201)
4	1	106101959	Tension Spring 2x18x70
5	7	125107766	Shaft 10x541
6	2	125107899	Wire Clamp
7	8	12590012	Wire Pulley, with bearing
8	2	125107646	Side Guide Adjustment Cable
9	4	12590025	Bearing Housing, incl. ball bearing
10	4	23702	Retaining Ring SgA 20
11	4	97095	Spacer DB 20x28x1
12	4	57438	Compression Spring 1,5x8x20
13	4	122-105137	Trapezoidal Nut
14	4	99053	Screw MC6S M4x6
15	4	12590027	Lead Screw Assy (incl. bearing and bearing housing)
16	8	88452	Plastic Plug



*Relevant parts highlighted red

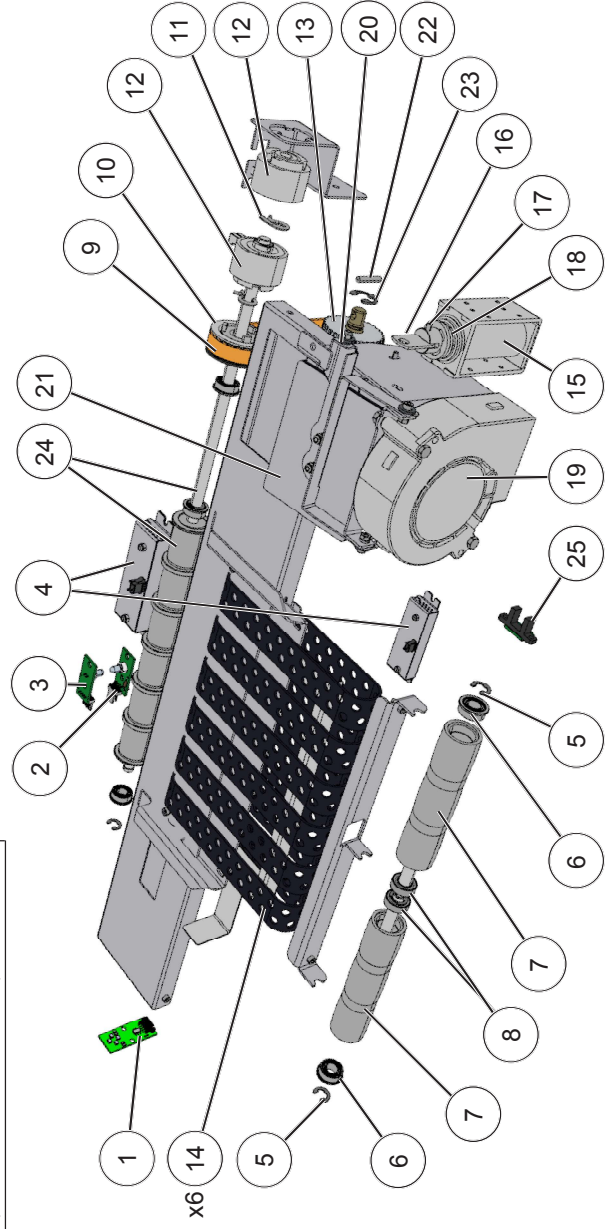


4 Places

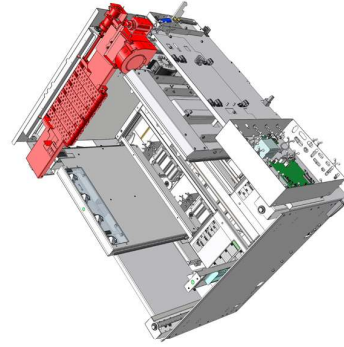
PL 2.3 Tray, Feeder Parts

Item	Qty	Part No.	Description
1	1	960107077	PCB White LED lamp (LAMP101, LAMP201)
2	1	10690027	Optical Double Sheet Detection Sensor LED (Q101, Q201)
3	1	10690028	Optical Double Sheet Detection Sensor Phototransistor (Q101, Q201)
4	1	12590015	Ultra Sonic Double Sheet Detection Sensor (matched pair) (Q102, Q202)
5	2*	60608	Retaining Clip RS 6
6	2*	124107503	Ball Bearing 8/16x6
7	2*	125108698	Vacuum Pulley, Rear
8	2*	18089	Ball Bearing 8/16x5
9	1	101100346	Timing Belt 10T5/330
10	1	180108	Clutch Wheel
11	1	105104613	R-Clip
12	2	17498	Feed Roller Clutch/Solenoid 24V (SOL101, 201, 104, 204)

13	1	12590018	Drive Shaft Assy, Incl. Timing Wheel
14	6	18110	Transport Belt Vacuum
15	1	12590021	Vacuum Chamber Solenoid/Assy incl items 16/17/18 (SOL103, 203)
16	1	124107449	Link Solenoid
17	1	18356	Pin PRYM 3x14
18	1	125109215	Compression Spring 1.5x15/30x17
19	1	12590009	Vacuum Fan (FAN106 & 206)
20	1	125109288	Insulation Sleeve 3, 1/6, 3x3
21	1	14090006	Plate with gasket
22	1	125108417	Vacuum Gasket
23	1	90333	Pin PRYM 4x20
24	1	23722	Retaining Clip RS10
25	1	12590026	Shaft w/ Vacuum Pulley, Front (glued)
		531003	Safety Sensor 10mm gap (Q104, Q204)



*Quantity per shaft



*Relevant parts highlighted red

25 November 2020

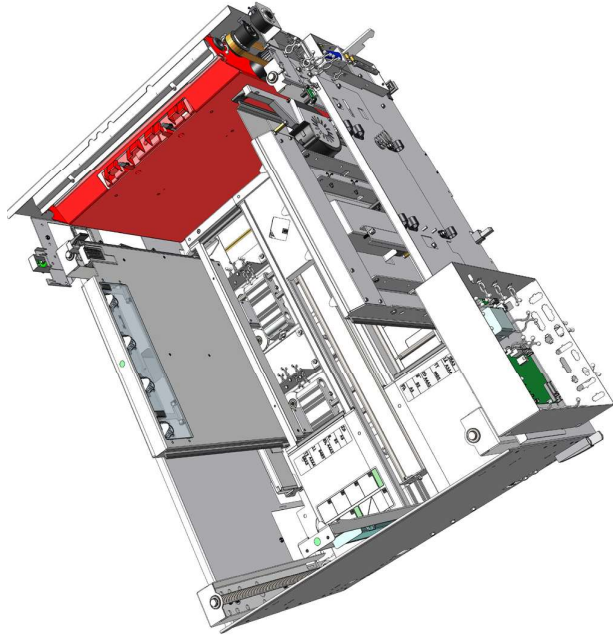
13

VFX

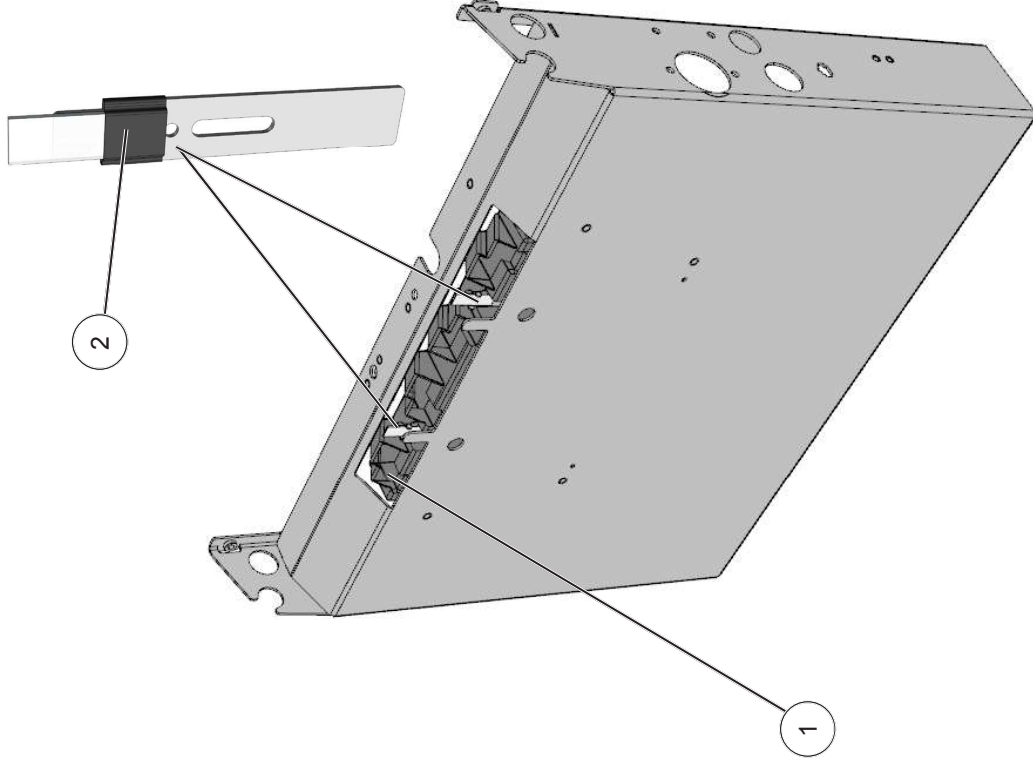
Parts Catalog

PL 2.4 Tray, Separation Frame

Item	Qty	Part No.	Description
1	1	125108722	Separation Frame Air Ducting
2	2	125115622	Separator Pad Assy

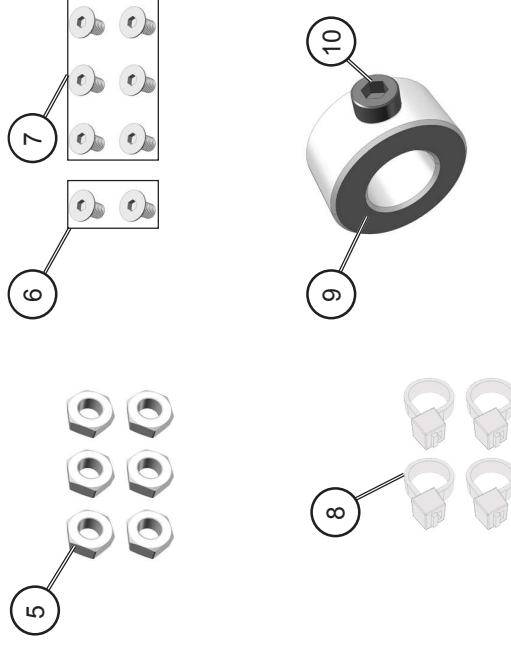
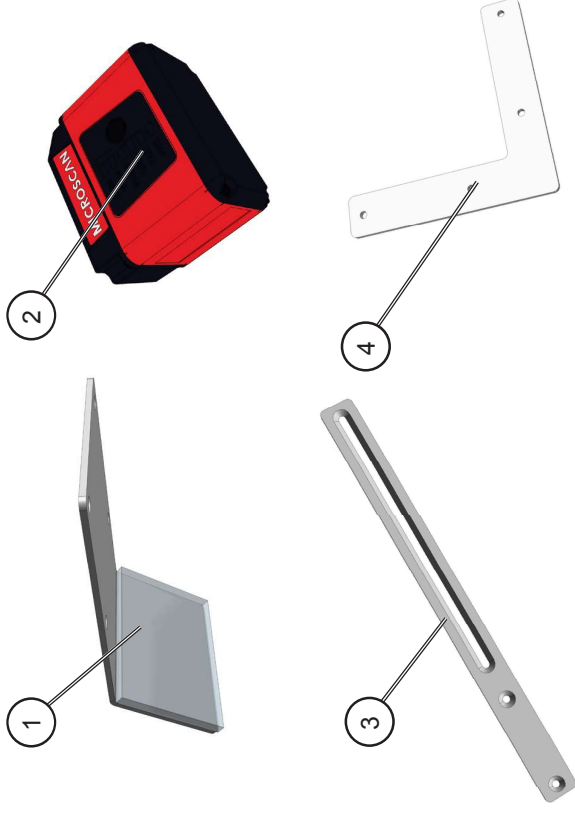


*Relevant parts highlighted red



PL 2.5 Tray, Bar Code Reader and accessories

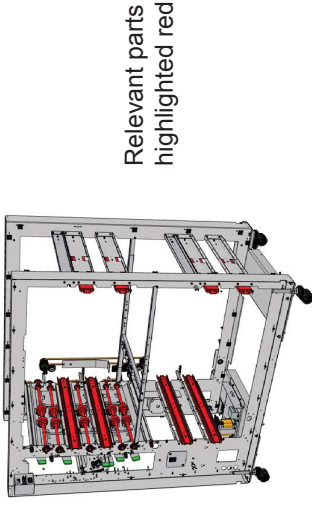
Item	Qty	Part No.	Description
1	1	12590034	Bracket with mirror
2	1	12590030	Scanner with cable
3	1	125116578	Bracket bar code ID-30 SRA3
4	1	125116602	Bracket bar code ID-30 660 mm
5	6	98002	Nut M6M3
6	2	99193	Screw MF6S M3x6
7	6	99160	Screw MF6S M3x8
8	4	60568	Cable tie
9	1	122105611	Set collar
10	1	99001	Set screw SK6SS



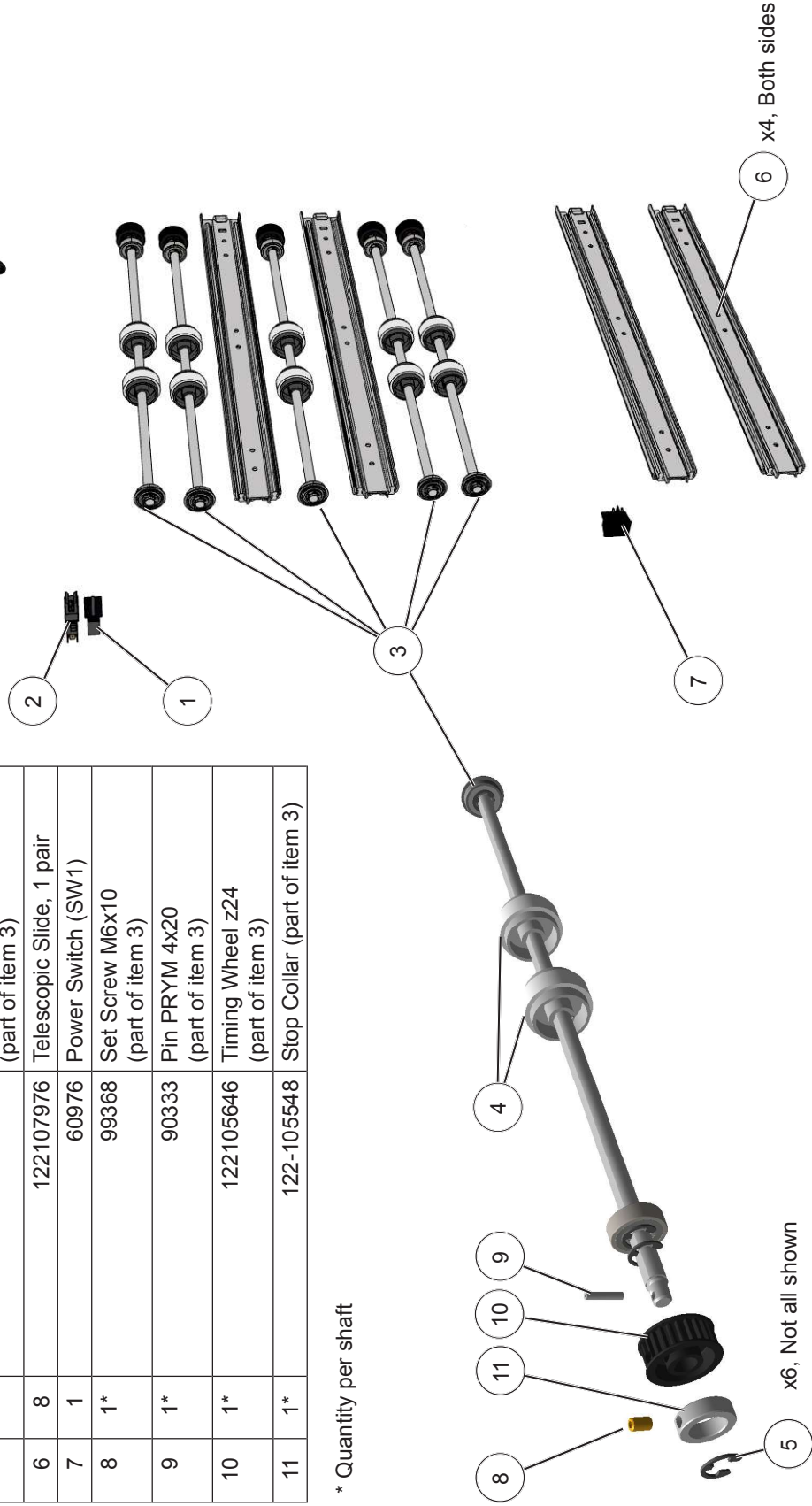
PL 3.0 Front Side

Item	Qty	Part No.	Description
1	1	960108513	Counter (CNT)
2	1	122105331	Interlock Switch (S301, S302)
3	5	12290038	Drive Shaft (glued bearings)
4	2*	122105682	Tire (part of item 3)
5	6*	23722	Retaining Ring RS 10 (part of item 3)
6	8	122107976	Telescopic Slide, 1 pair
7	1	60976	Power Switch (SW1)
8	1*	99368	Set Screw M6x10 (part of item 3)
9	1*	90333	Pin PRYM 4x20 (part of item 3)
10	1*	122105646	Timing Wheel z24 (part of item 3)
11	1*	122-105548	Stop Collar (part of item 3)

* Quantity per shaft

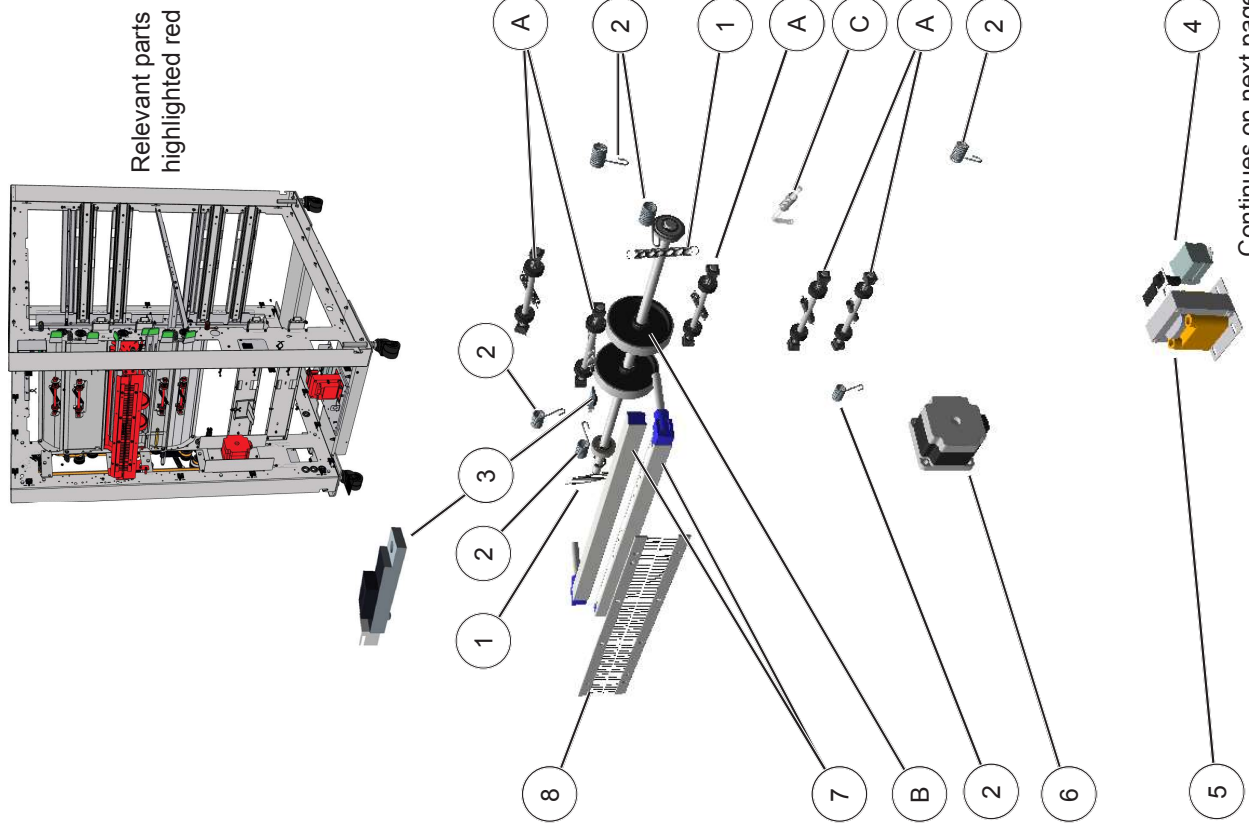


Relevant parts highlighted red



PL 3.1a Left Side

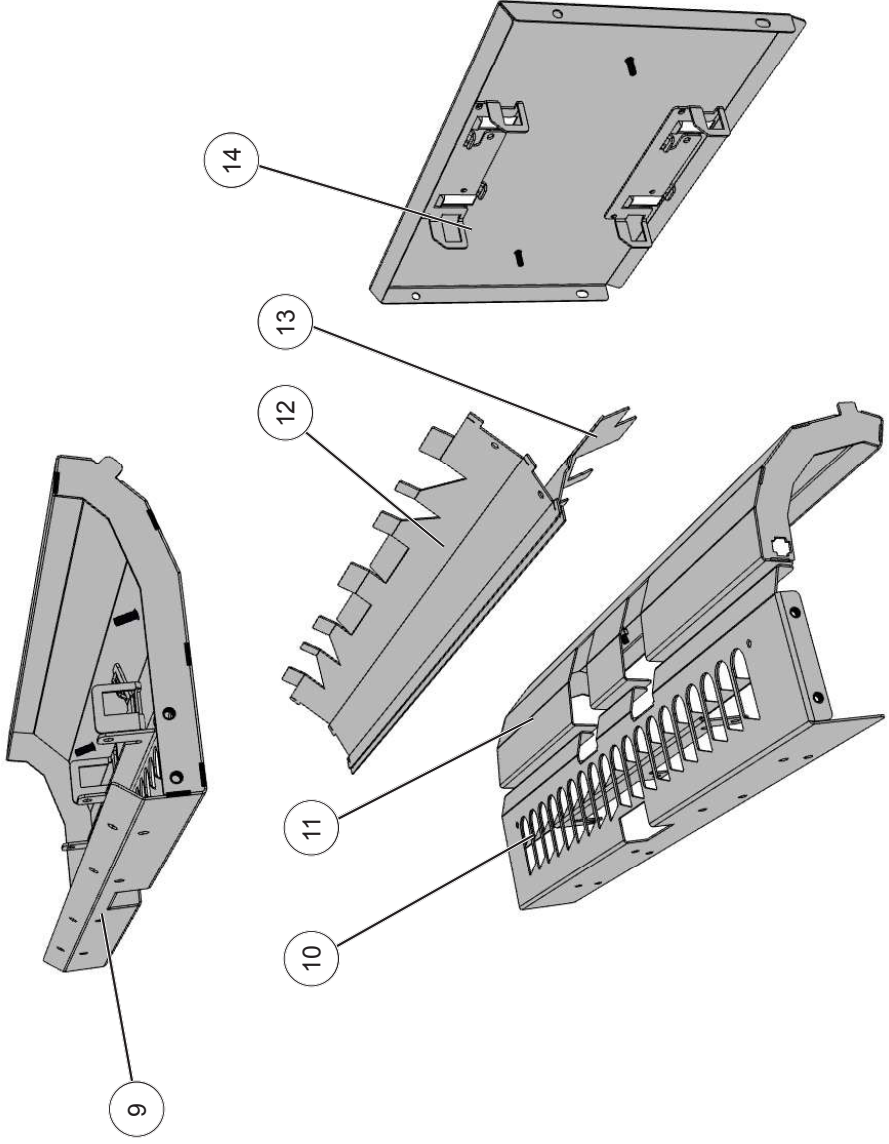
Item	Qty	Part No.	Description
1	2	56605	Tension Spring 1,0x10x50
2	6	75886	Torsion Spring 2x12x8,75
3	1	96997	Exit Sensor (Q303)
4	1	172057	Relay (option) (REL 303)
5	1	12290101	Transformer (option) (TR1)
6	1	10190036	Feed Motor (M301)
7	2	12290102	Antistatic Bar (option) (BAR1A, BAR1B)
8	2	56677	Static Eliminator Brush
A			See 3.1b, Detail A
B			See 3.1b, Detail B
C			See 3.1b, Detail C



PL 3.1a Left Side (continued)

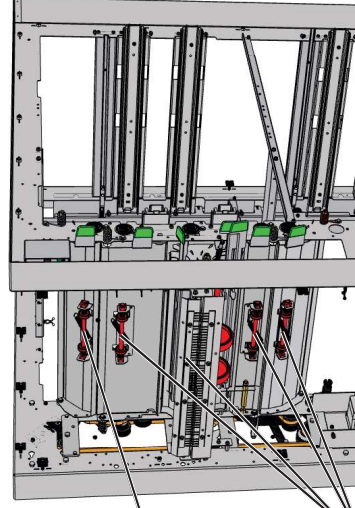
Item	Qty	Part No.	Description
9	1	125-107888	Upper baffle paper exit
10	1	125-107686	Paper exit
11	1	125-107689	Lower baffle paper exit
12	1	125-107677	Paper path upper
13	1	125-107678	Paper path lower
14*	1	125-107675	Middle baffle

*Mounted only on machines with high paper exit path.



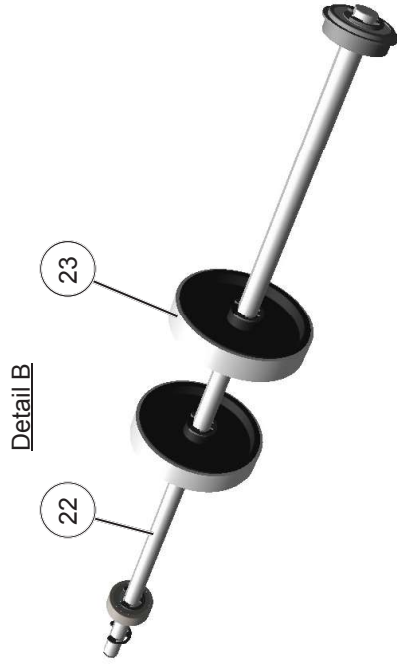
PL 3.1b Left Side

Relevant parts highlighted red

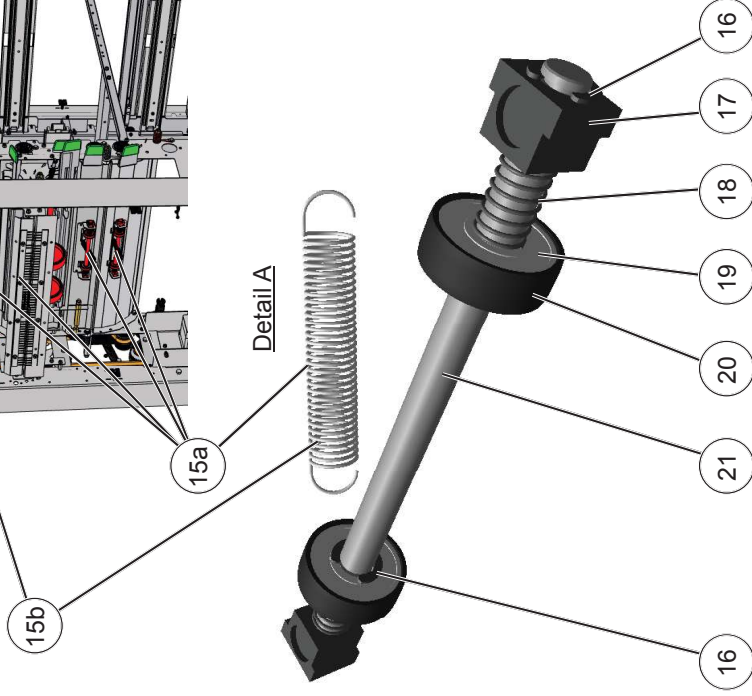


Item	Qty	Part No.	Description
15a	1	56605	Tension Spring 1x10x50
15b		5786	Tension Spring 1.2x10x50
16	4	60608	Retaining Ring RS 6
17	2	122105568	Bearing
18	2	90210	Compression Spring 0,75x8x30
19	2	30559	Ball Bearing 8/22x7
20	2	122-105397	Tyre, Plastic
21	1	122-105391	Shaft
22	1	125107879	Drive Shaft Assy, incl item 18
23	2	55254	Tire, Rubber
24*	1	122106532	Compression Spring 1,5x8x50
25*	4	22598	Retaining Ring RS 5
26*	1	106102361	Grip Green

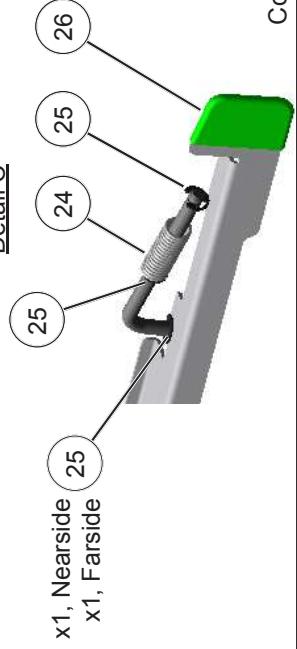
*Mounted only on machines with high paper exit path.



Detail B



Detail A



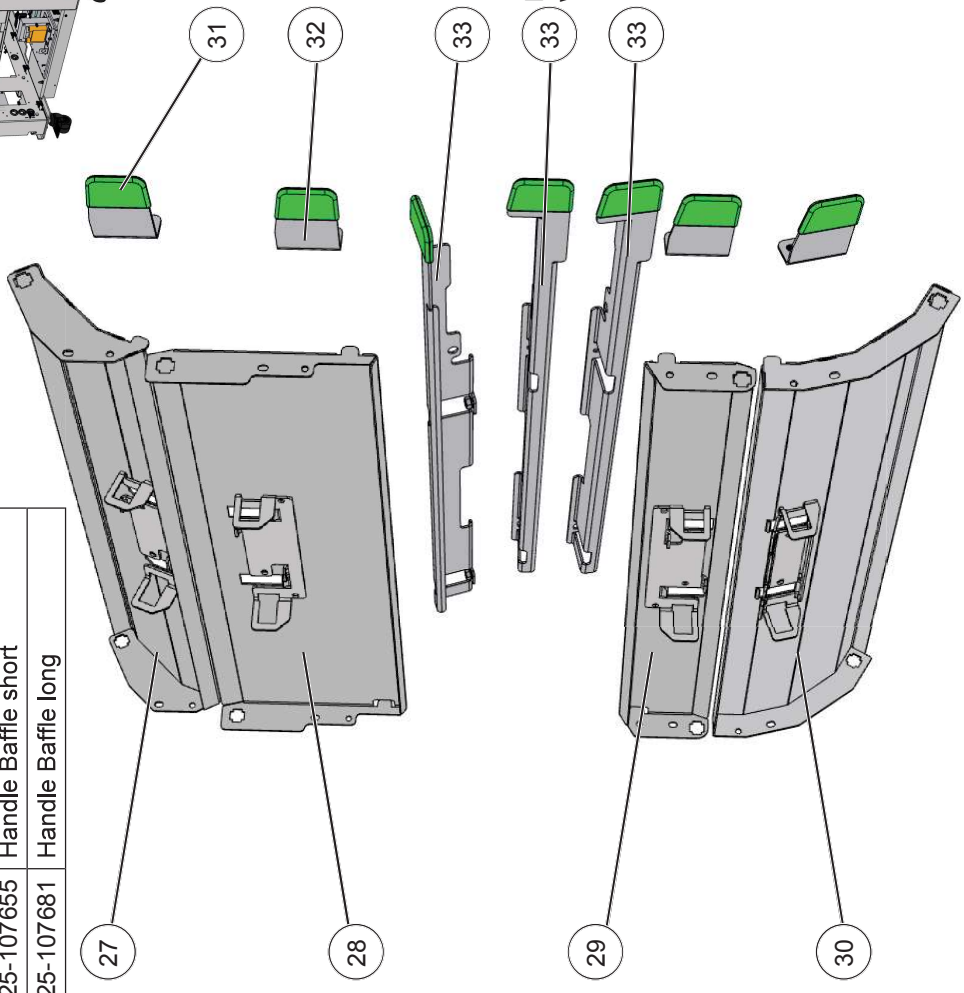
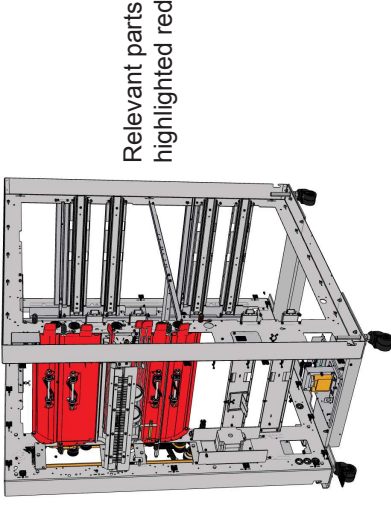
Detail C

x1, Nearside
x1, Farside

Continues on next page

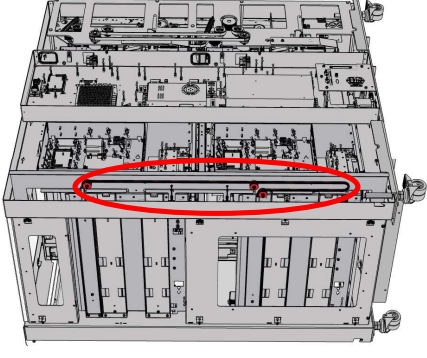
PL 3.1c Left Side

Item	Qty	Part No.	Description
27	1	125-107665	Upper Baffle
28	1	125-107833	Upper Baffle 860
29	1	125-107835	Lower Baffle 860
30	1	131-108980	Lower Baffle
31	7	106102361	Grip Green
32	4	125-107655	Handle Baffle short
33	3	125-107681	Handle Baffle long

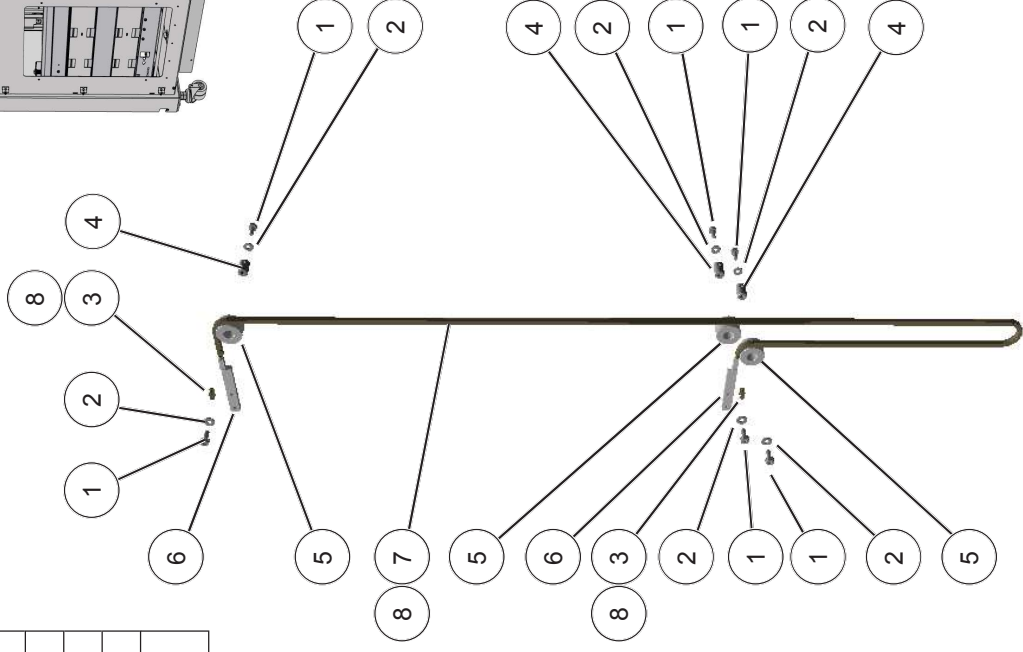


PL 4.1 Rear Side, Topple Protection

Item	Qty	Part No.	Description
1	6	99471	Screw M6SF+T20 M4x10
2	6	97001	Washer 4,3x10x1
3	2	80615	Master Link ISO 04 6mm
4	3	125107772	Shaft 10x16
5	3	103104618	Idler Wheel
6	2	125107756	Chain Bracket
7	1	103108048	Chain ISO 04 184 Rolls
8	1	892001	Chain and Master Link (items 3 and 7)

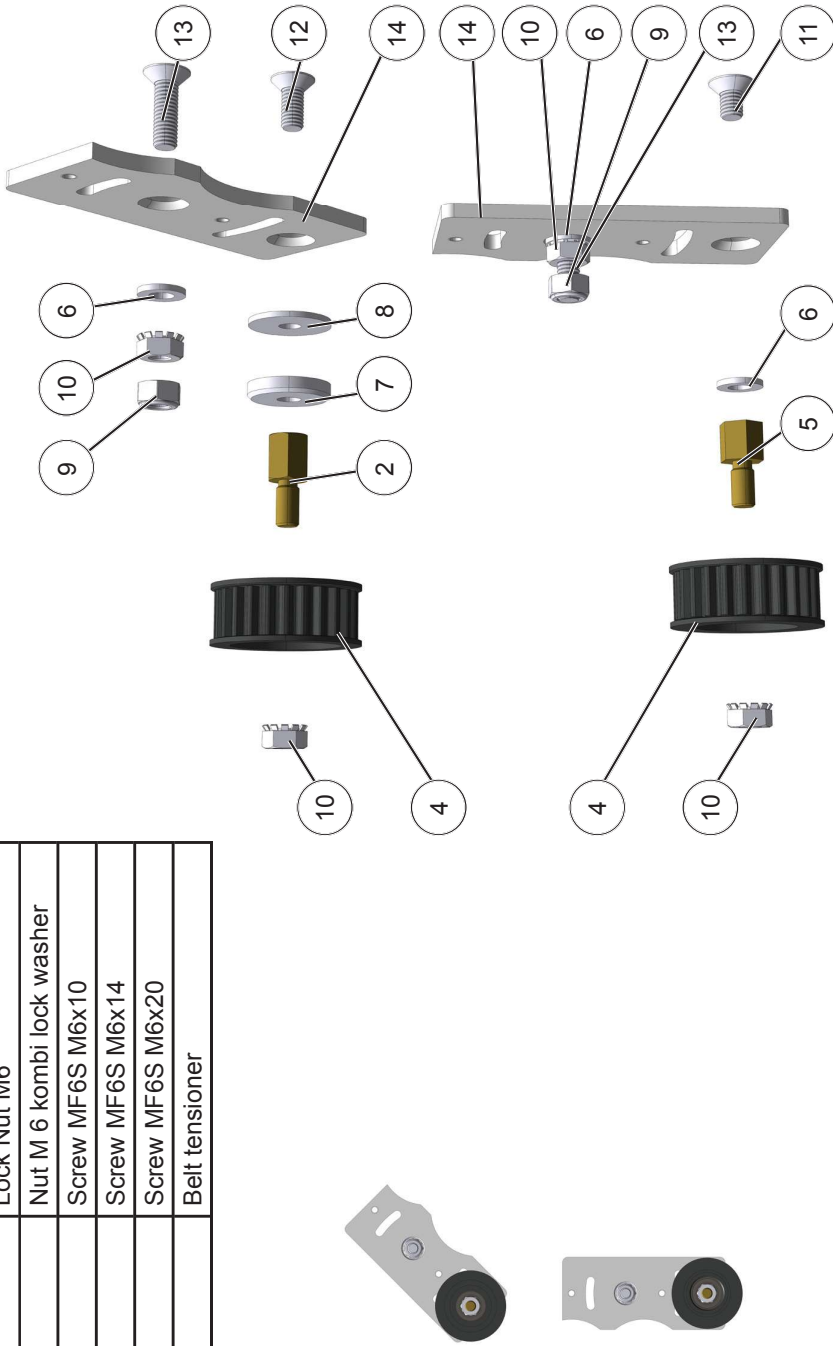


Relevant parts highlighted red



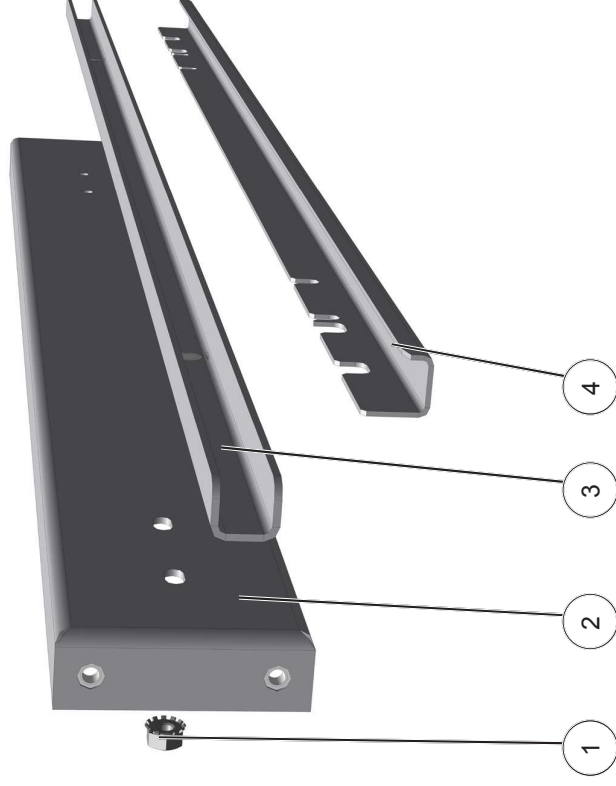
PL 4.2 Rear Side, Belt tensioners

Item	Qty	Part No	Description
1	2	21533	Ball bearing 6/19x6 626-ZZ
2	1	53502	Spacer DSS M60100x10
3	2	55090	Timing pulley z=24 t=5 Ø6
4	2	106101259	Pulley w. bearing
5	1	59131	Spacer DSS M60100x12
6	3	97006	Washer BRB 6,4x12x1,5 steel
7	1	97057	Washer TBR SB 6,4x22x4 steel
8	1	97127	Washer NB 6x22x1,5 steel
9	2	98006	Lock Nut M6
10	4	98056	Nut M 6 kombi lock washer
11	1	99232	Screw MF6S M6x10
12	1	99238	Screw MF6S M6x14
13	2	99380	Screw MF6S M6x20
14	2	122105355	Belt tensioner



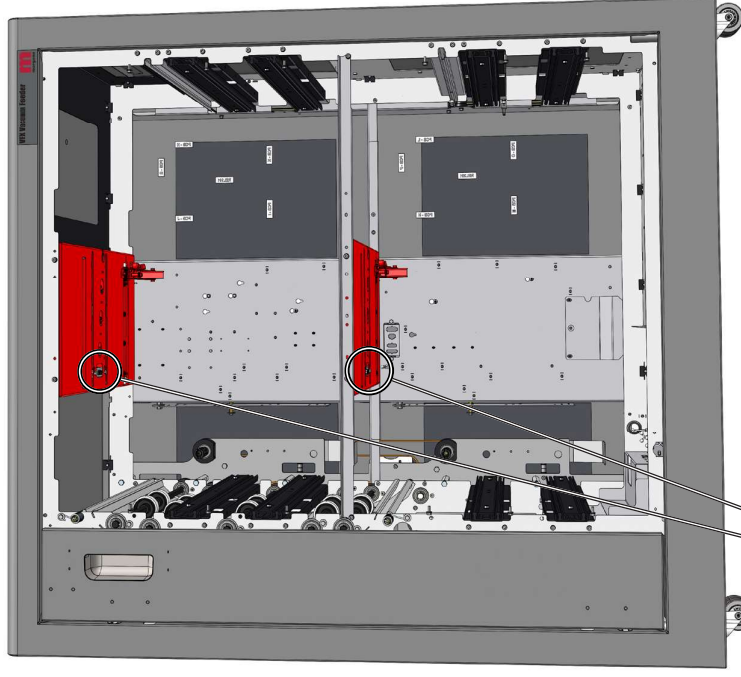
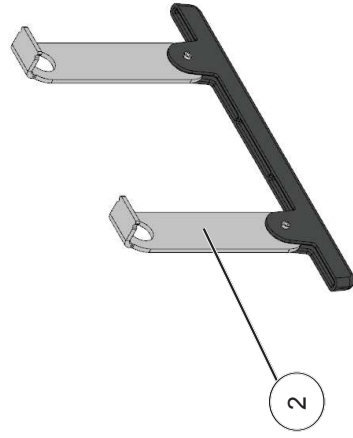
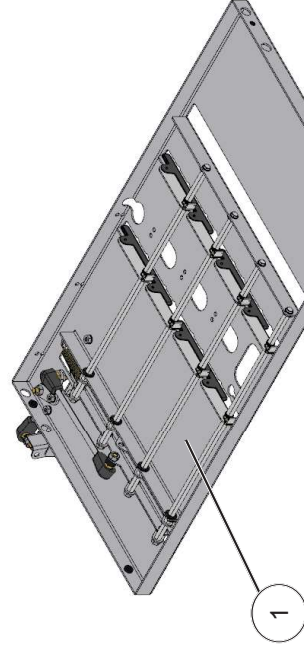
PL 4.3 Chain guides

Item	Qty	Part No	Description
1	2+2	98055	Nut M4 kombi lock washer
2	2	125107768	Chain guide bracket
3	2	125107763	Chain guide Pt1
4	2	125108368	Chain guide Pt2



PL 5.0 Upper Support

Item	Qty	Part No.	Description
1	1	12590019	Upper Support (entire sub-assembly)
2	1	12590020	Paper Stop (2 links, stopper, riveted)
3	2	14011896	Optical Sensor (Q301/302)

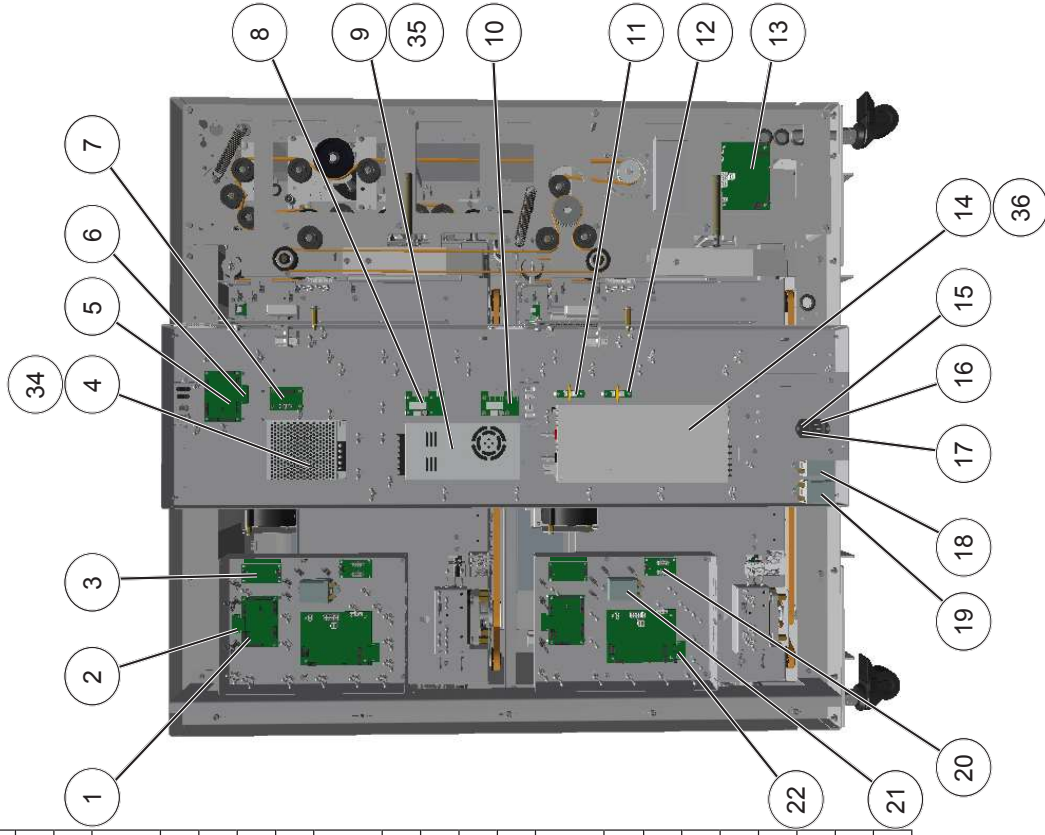


*Relevant parts highlighted red



PL 6.0 Rear Side Electronics

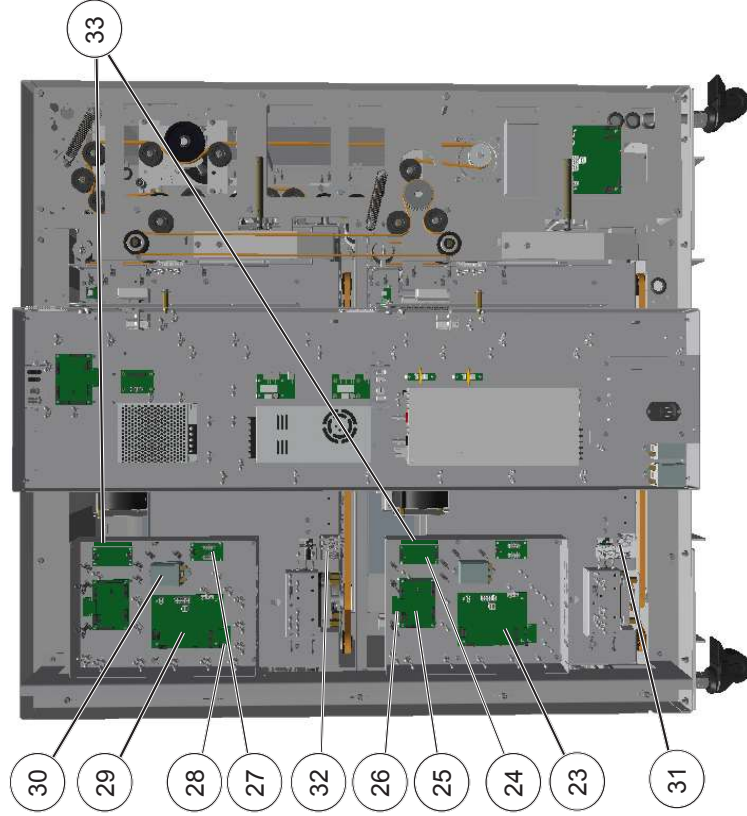
Item	Qty	Part No.	Description
1	1	12590004	PCB CPU APP 32 (PCB "H")
2	1	960108167	PCB RS232 Plug In (option) (PCB "Q")
3	1	960108171	PCB DC/DC Converter (option) (PCB "J")
4*	1	*960109882	*See note on next page - Power Supply RS-75-12 (PSU1)
5	1	12590004	PCB CPU APP 32 (PCB "A")
6	1	960108167	PCB RS232 Plug In (option)
7	1	12590006	PCB PTC611 (PCB "B")
8	1	782029	PCB SCP Universal (PCB "C")
9	1	*960112598	*See note on next page - Power Supply SP-240-24 (PSU2)
10	1	782029	PCB SCP Universal (PCB "D")
11	1	960108444	PCB Fuse 10A/125V (PCB "E")
12	1	960108444	PCB Fuse 10A/125V (PCB "F")
13	1	12590005	PCB M21H (PCB "G")
14	1	*783051	*See note on next page - Power Supply SP-750-27 (PSU3)
15	1	113101999	Power Entry KFC 10A (Filter)
16	1	88554	Fuse Drawer (Filter)
17	1	90605	Fuse T 10A 5x20 250V (F1)
18	1	172057	Relay DPNO 16A/250V (REL302)
19	1	172057	Relay DPNO 16A/250V (REL301)
20	1	12590007	PCB Distribution (PCB "M")
21	1	172057	Relay DPNO 16A/250V (REL101)
22	1	960108167	PCB RS232 Plug In (option)



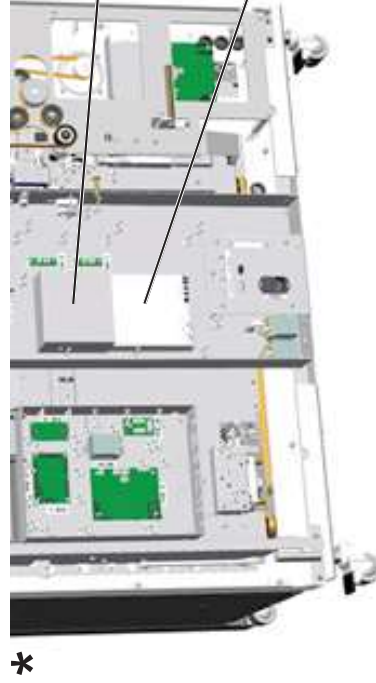
*See note on next page

Continues on next page

PL 6.0 Rear Side Electronics (continued)



Item	Qty	Part No.	Description
23	1	12590005	PCB M21H (PCB "O")
24	1	960108171	PCB DC/DC Converter (option) (PCB "N")
25	1	12590004	PCB CPU APP 32 (PCB "L")
26	1	960108167	PCB RS232 Plug In (option) (PCB "P")
27	1	12590007	PCB Distribution (PCB "I")
28	1	960108167	PCB RS232 Plug In (option)
29	1	12590005	PCB M21H (PCB "K")
30	1	172057	Relay DPNO 16A/250V (REL201)
31	1	531003	(Lower) Home Position Sensor 10mm gap (Q103)
32	1	531003	(Lower) Home Position Sensor 10mm gap (Q203)
33	2	960108693	PCB SD2H (PCB "R" Lower / PCB "S" Up-per)
34	1	*960109882	Power Supply RS-75-12 (PSU1) - old
35	1	*960112598	Power Supply SP-240-24 (PSU2) - old
36	1	*783051	Power Supply SP-750-27 (PSU3) - old



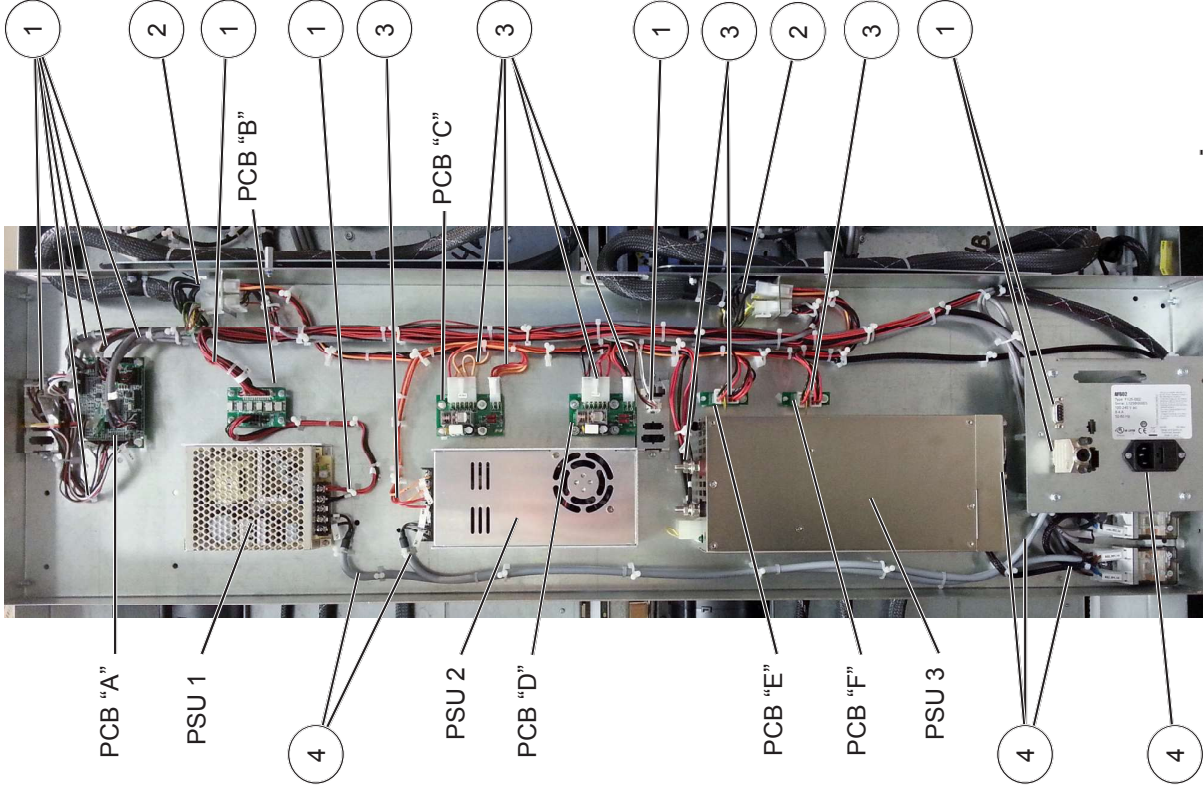
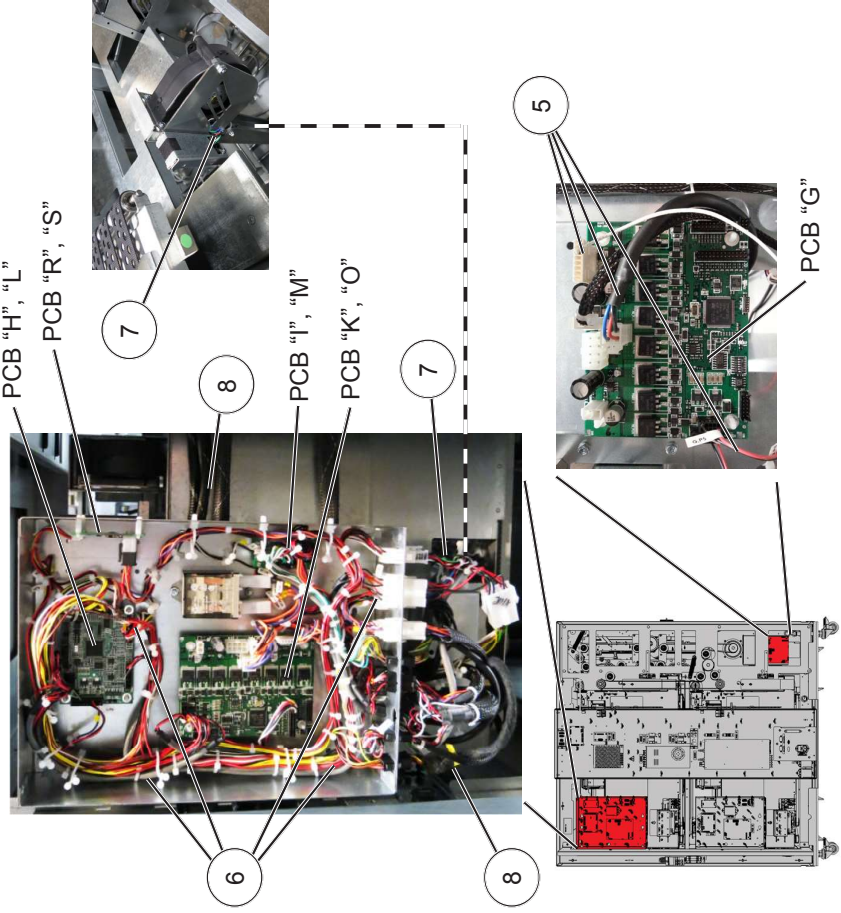
Power Supply Cover, only used in the revised version of the VFX.

Power Supply SP-750-27 (PSU3)

*Note on Power Supply Units: order PSU numbers 4, 9 or 10 if you have a revised version of the VFX; order PSU numbers 34, 35 or 36 if you have an old version of the VFX. To tell which version of the VFX you are working with, locate the Power Supply SP-750-27 (PSU3) as shown in the picture above. **The revised version of the VFX has a cover on the PSU3, the old VFX does not have it.**

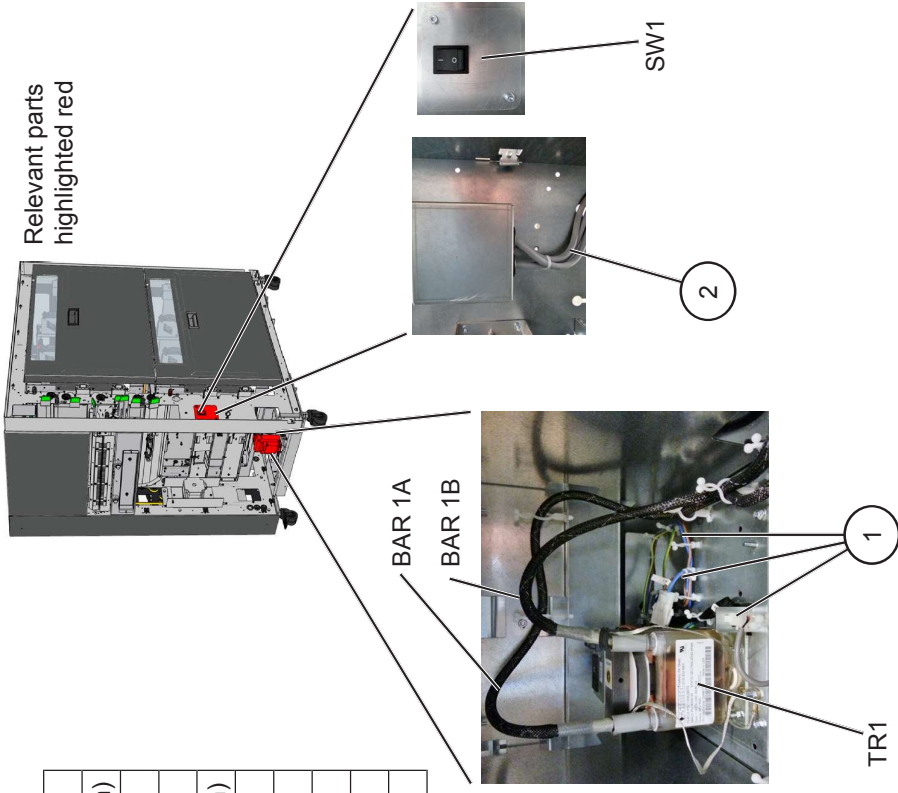
PL 7.0 Wire Harnesses

Item	Qty	Part No.	Description
1	1	125108205	Harness Sensors Rear Plate
2	2	125108210	Cable Harness to Bin
3	1	125108204	Harness Power Rear Plate
4	1	125108203	Harness Primary Rear Plate
5	1	125108208	Harness Sensor Chassis
6	2	125108215	Harness Controller Assy
7	2	131109696	Harness Bin SP LED BAR
8	2	125108824	Harness Vacuum

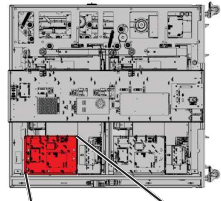


PL 7.1 Wire Harnesses

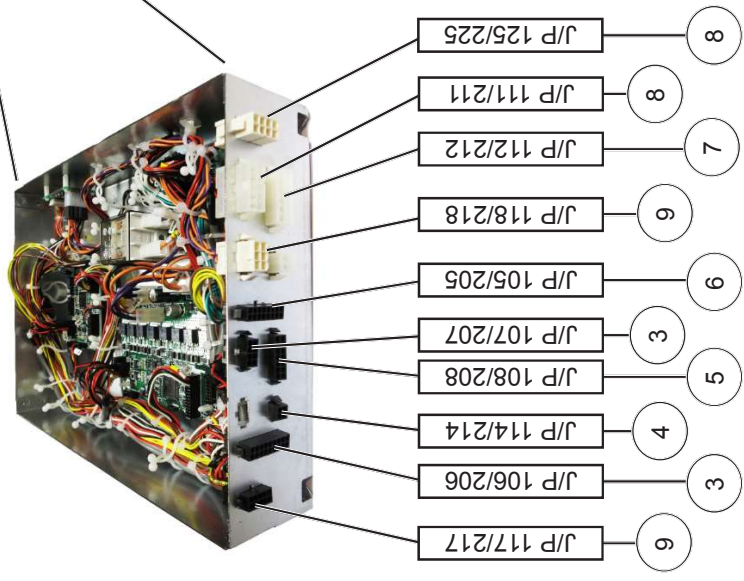
Item	Qty	Part No.	Description
1	1	125108216	Harness Antistatic Primary (option)
2	1	125115546	Harness Primary Chassis
3	2	125108212	Harness Bin Sensors
4	2	125108341	Harness Bin MS-4 Reader (option)
5	2	125108213	Harness Bin Sol LED Lamp
6	2	125108211	Harness Bin Fans
7	2	125108210	Cable Harness to Bin
8	2	131109696	Harness Bin SP LED BAR
9	2	125108824	Harness Vacuum



Relevant parts highlighted red



Electrical Box, Bottom View



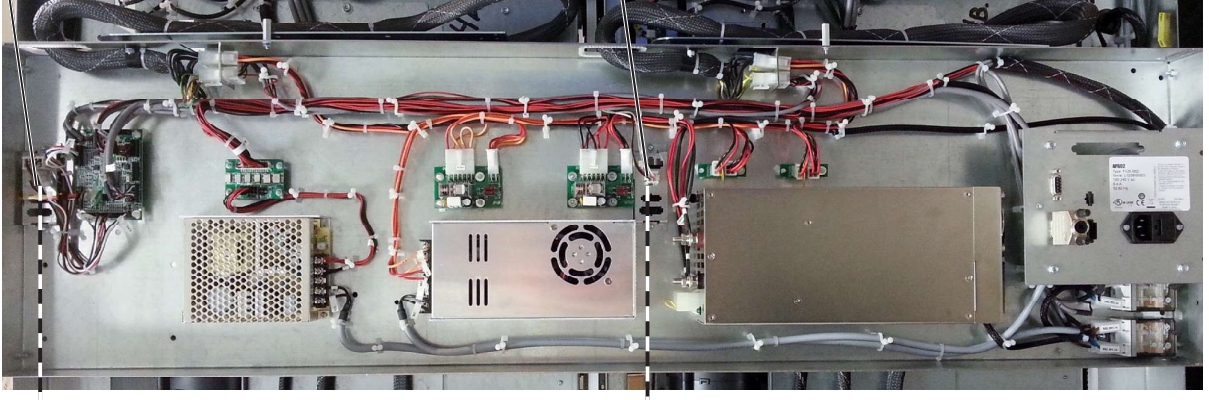
PL 7.2 Wire Harnesses

Item	Qty	Part No.	Description
1	2	140112195	Optical Sensor harness



Q301 (Upper Tray)
Q302 (Lower Tray)

1

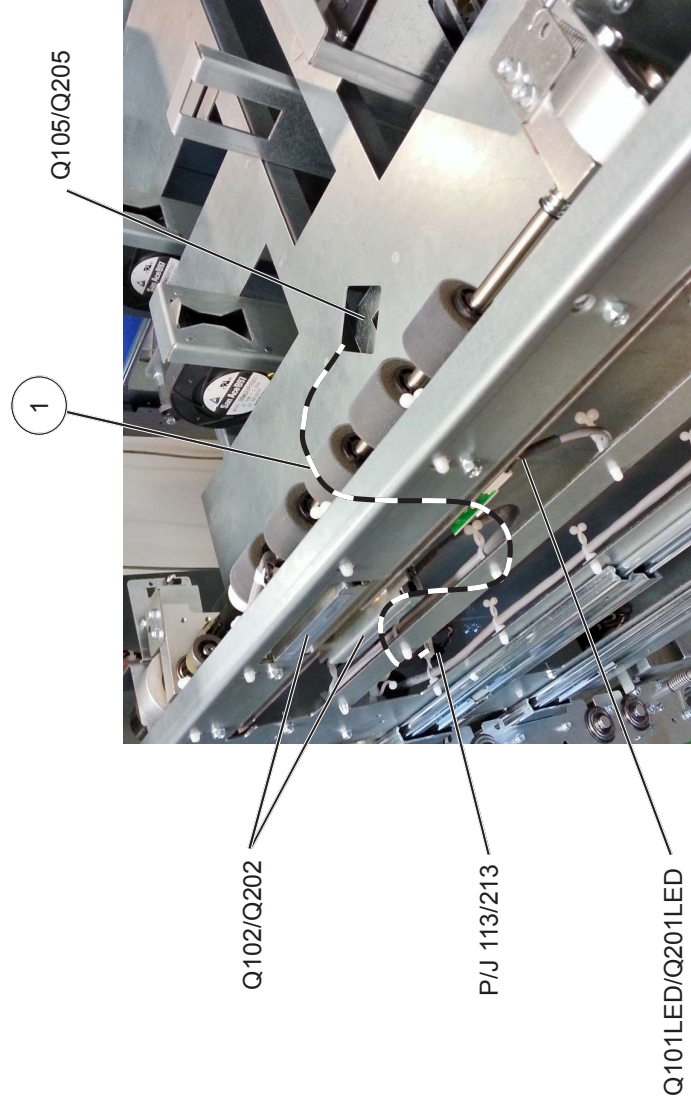


P/J304

P/J303

PL 7.3 Wire Harnesses

Item	Qty	Part No.	Description
1	2	125108214	Harness Bin Empty Sensor



PL 8.0 Accessories

Item	Qty	Part No.	Description
1	1	14090017	Power cord EUR/IEC 1.0mm2 80mm*
2	1	14090016	Power cord USA/IEC AWG-14 80mm*
3	1	14090021	Power cord UK/IEC 1.0mm2 80mm*
4	1	14090019	Power cord AUS/IEC 1.0mm2 80mm*
5	1	14090020	Power cord Swiss/IEC 1.0mm2 80mm*
6	1	14090018	Power cord Denmark IEC 1.0mm2 80mm*
7	1	770042	Power Cord Kit
8	1	92511	Communication Cable CAN 1,6m
9	1	95196	Spanner 24mm
10	1	76329	DSD Calibration Strip
11	1	960108436	USB to STM32F Dongle
12	1	125108536	US DSD Calibration Strip
13	4	131-110182	Wide paper support
14	1	960110000	Software Loading Adapter 16p to 8p
15	1	95177	Interlock Cheater
16	1	92508	Termination plug female 9-P
17	1	92509	Termination plug male 9-P

*Also includes the extension cord.



PL 9.0 Dockings

Item	Qty	Part No.	Description
1	1	125114317	Docking Bracket
2	1	122106823	Pin Bracket
3	4	99400	Screw M6x12
4	2	98015	Nut M10
5	2	102105477	Docking Pin
6	1	125114318	Docking Complete (BM5000)
7	1	56605	Tension spring
8	1	125107831	Docking Frame
9	1	12590035	Docking Latch
10	2	97057	Washer
11	2	90323	Docking stud
12	2	99176	Screw
13	1	125107846	Docking Complete (BM2000)

